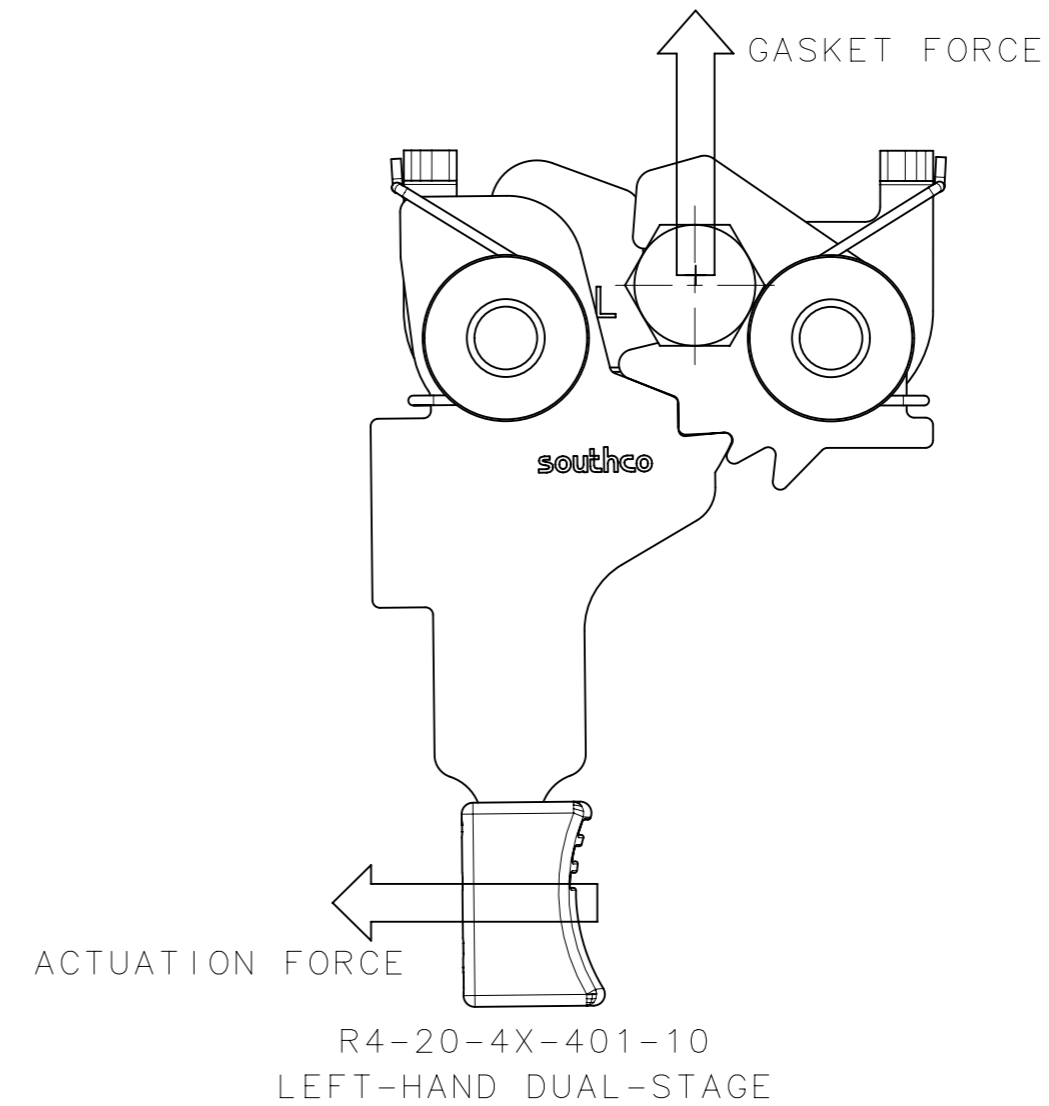
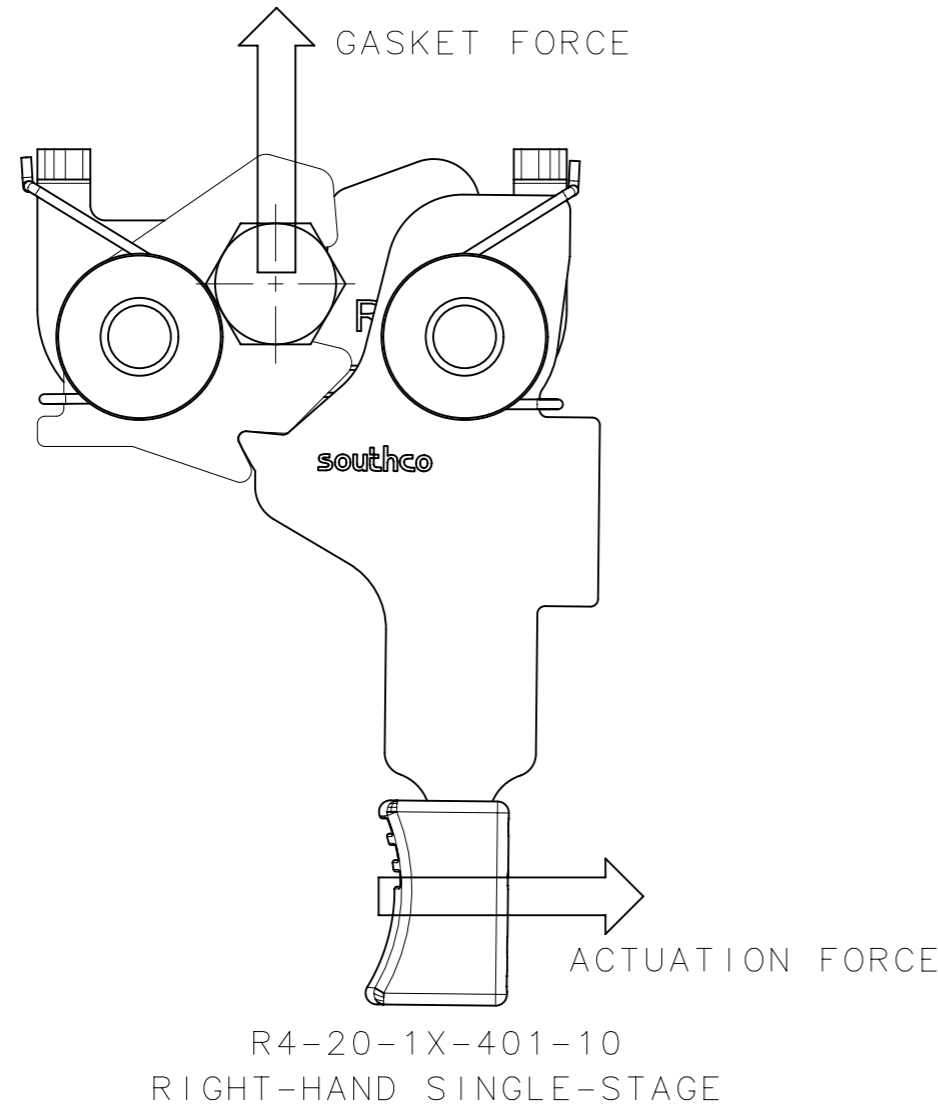


| REVISION HISTORY | | | |
|------------------|-----------|--------|-----------------|
| REV | DATE | BY | DESCRIPTION |
| A | 09JUL2018 | VK/YGC | PRN: P2018-1642 |

SOUTHCO PERFORMANCE GUIDELINES

THE PERFORMANCE GUIDELINES SHOWN ON THIS PAGE ARE SUPPLIED AS A GENERAL GUIDE ONLY. AS CONDITIONS VARY WITH EACH APPLICATION AND METHOD OF INSTALLATION. STRENGTH DATA GIVEN IS FOR FAILURE OF THE PRODUCT OR FOR SUFFICIENT DEFORMATION TO MAKE THE PRODUCT INOPERABLE. NO SAFETY FACTOR HAS BEEN APPLIED. IT IS RECOMMENDED THAT THE USER REQUEST A PRODUCT SAMPLE FOR TESTING TO DETERMINE THE SUITABILITY OF THE PRODUCT FOR THE PURPOSE INTENDED AND USER'S PARTICULAR APPLICATION



PERFORMANCE VALUES FOR R4-20-YX-401-10

| TYPE OF LATCH | GASKET FORCE | AVERAGE FORCE REQUIRED TO ACTUATE (OPEN) LATCH | AVERAGE ULTIMATE TENSILE FORCE | | CYCLE LIFE |
|----------------|---------------|------------------------------------------------|--------------------------------|---------------------|------------|
| | | | PRIMARY | SECONDARY | |
| SINGLE - STAGE | 111 N (25 lb) | 6.5 N - 8.6 N (1.5 lb - 1.9 lb) | 7,500 N (1,686 lb) | N/A | 25,000 |
| DUAL - STAGE | 111 N (25 lb) | 7.2 N - 8.1 N (1.6 lb - 1.8 lb) | 7,500 N (1,686 lb) | 4,000 N (900 lb) | 25,000 |

- ACTUATION FORCE TESTS AND CYCLE TEST WERE PERFORMED WITH PART NUMBERS R4-20-10-401-10, R4-20-20-401-10, R4-20-30-401-10, AND R4-20-40-401-10.
- MAXIMUM ALLOWABLE TORQUE ON THREADED MOUNTING SCREWS IS 120 in-lbs (13.56 N-m).

REF: trR4-33710, trR4-33597 and trR4-25583

| | | | |
|------------------------------------------------------------------------------------------------------------------------------------------------------------------------------------------------|--|--------------------------------------------------------------|-------------------|
| THIRD ANGLE PROJECTION | | southco [®] CONNECT • CREATE • INNOVATE | |
| MILLIMETERS [IN] | | | |
| SURFACE AREA | | TOLERANCES UNLESS OTHERWISE NOTED | |
| VOLUME | | DESCRIPTION R4-20 TEST DATA SHEET STEEL, HAND-ACTUATED | |
| PROPRIETARY ITEM EXCEPT FOR USES EXPRESSLY GRANTED IN WRITING, INFORMATION DISCLOSED HEREON IS CONFIDENTIAL AND ALL RIGHTS, PATENT AND OTHERWISE, ARE RESERVED BY SOUTHCO, INC. | | SIZE A3 | SYSTEM NX |
| PER ASME Y14.5M-1994 | | DWG NO. TD-R4-20-4-1 | DATE 28JUN2018 |
| | | DRAWN BY VK | SCALE 1:1 |
| | | SHEET 1 OF 1 | |