

6

5

4

3

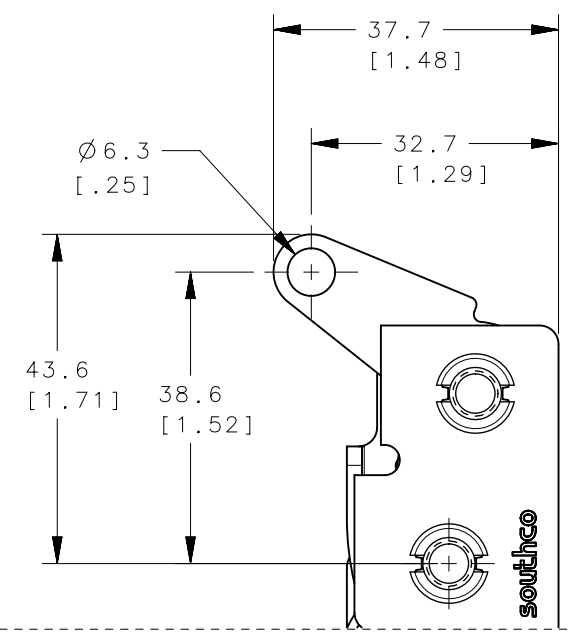
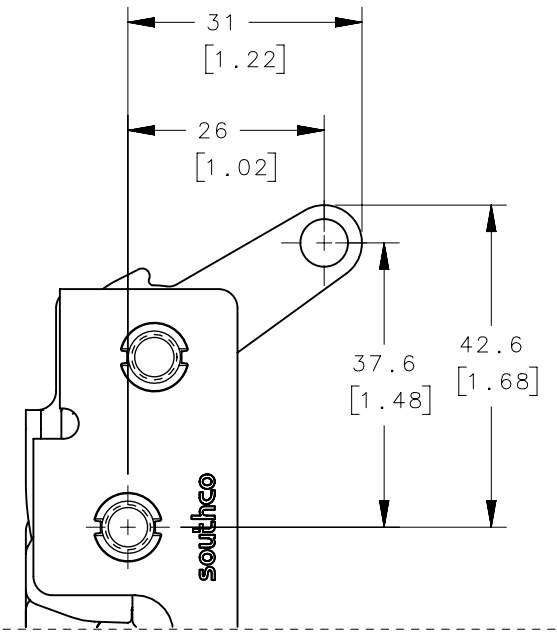
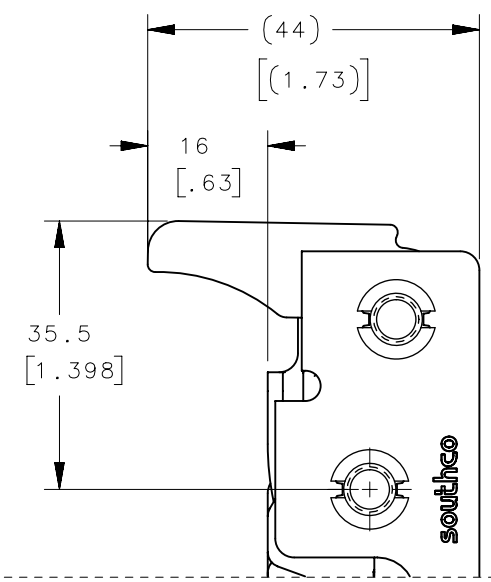
2

1

HAND ACTUATION

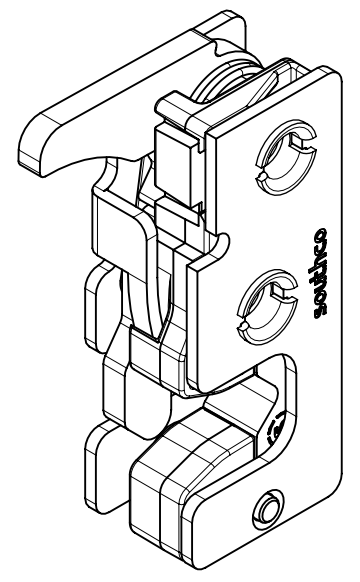
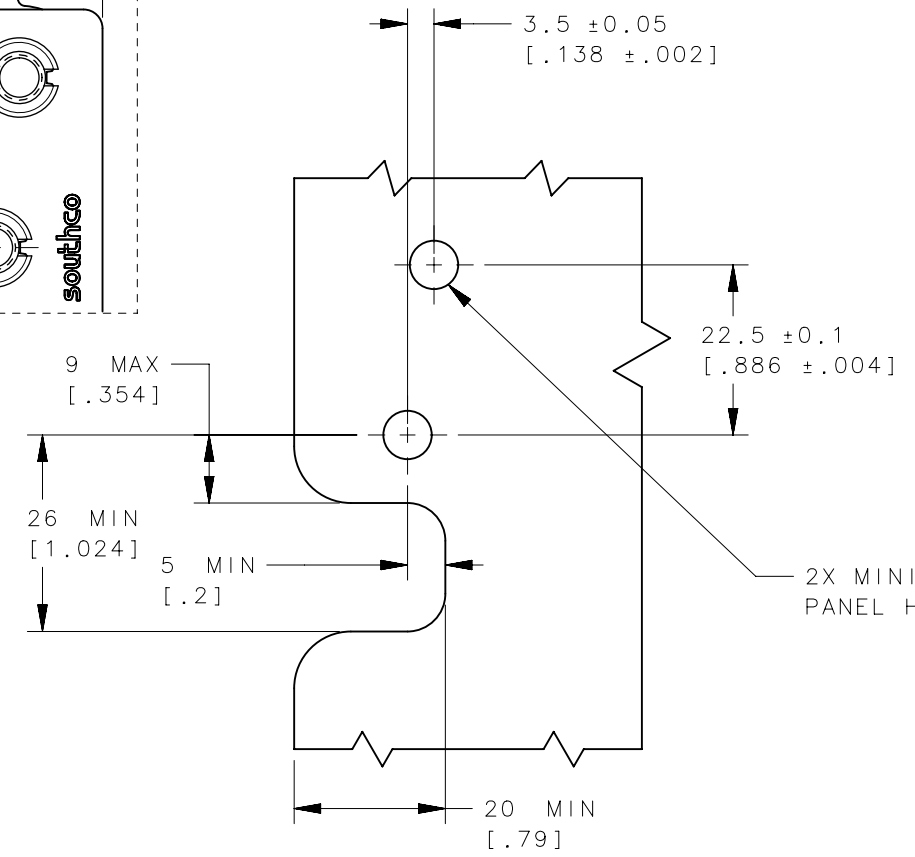
BOTTOM ACTUATION

TOP ACTUATION



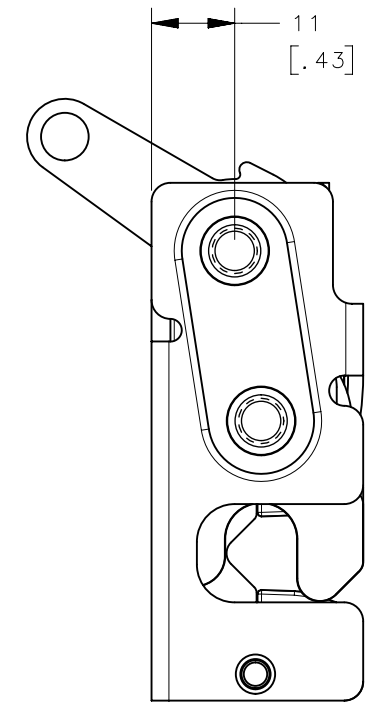
REVISION HISTORY			
REV	DATE	BY	DESCRIPTION
B	19FEB2018	RKS/VK	PRN: P2018-0331

PANEL PREPARATION

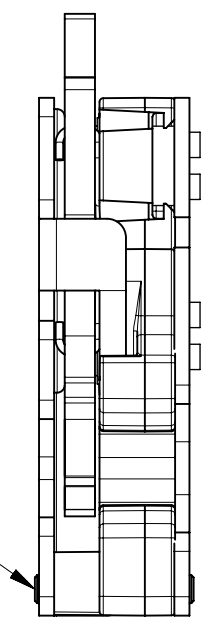


SCALE 1:1

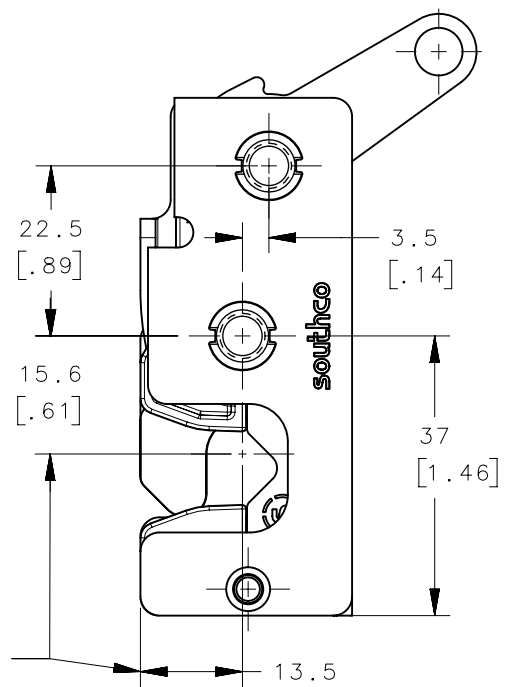
BOTTOM ACTUATION SHOWN



PIN TO BE RIVETED FLUSH WITH FRAMES AFTER RIVETING



SEE NOTE B



NOTES:

- A. MATERIAL AND FINISH:
 - HOUSING, LEVER, RIVET AND INTERNAL COMPONENTS: STAINLESS STEEL, PASSIVATED
 - GUIDE: DELRIN, BLACK
 - STOP BLOCK: EPDM, DURO 60, SHORE A
- B. THESE DIMENSIONS REQUIRED FOR MOUNTING STRIKER BOLT.

ASSEMBLY PART No.
 R4-10--05-20

STAGE & ACTUATION

- 1 - SINGLE STAGE, RIGHT HAND
- 3 - TWO-STAGE, RIGHT HAND

MOUNTING STYLE

- 0 - Ø7.2 (.283) THRU
- 1 - 1/4-20 THREAD
- 2 - M6x1 THREAD

LEVER TYPE

- 4 - HAND ACTUATION
- 5 - BOTTOM ACTUATION
- 6 - TOP ACTUATION

THIRD ANGLE PROJECTION	
MILLIMETERS [IN]	
TOLERANCES UNLESS OTHERWISE NOTED	
ALL DIMENSIONS WITHOUT TOLERANCES ARE FOR REFERENCE ONLY.	
PER ASME Y14.5M-1994	

southco CONNECT • CREATE • INNOVATE			
DESCRIPTION R4 MINI ROTARY LATCH RIGHT HAND - 1B - STAINLESS			
SIZE B	SYSTEM NX	DWG NO. J-R4-10-5BR-20	
DRAWN BY YK/DGJ	DATE 31DEC2014	SCALE 1:1	SHEET 1 OF 3

6

5

4

3

2

1

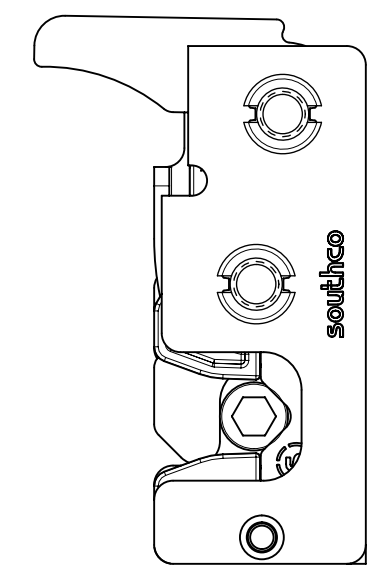
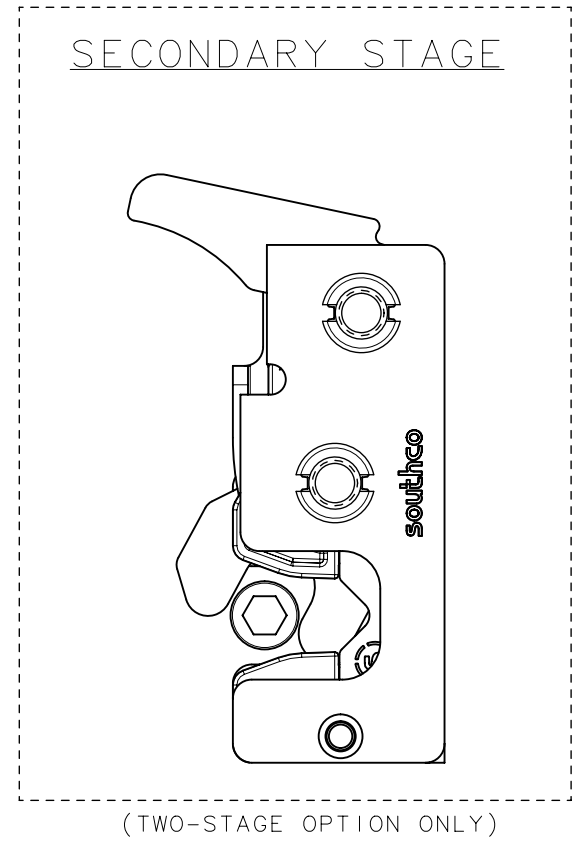
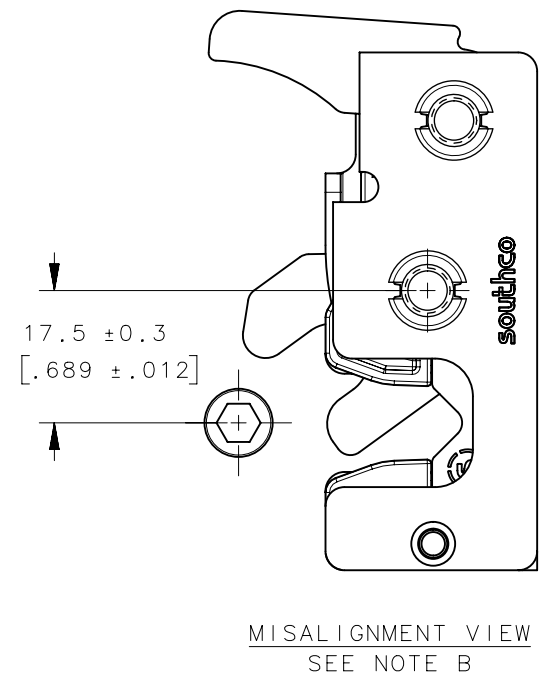
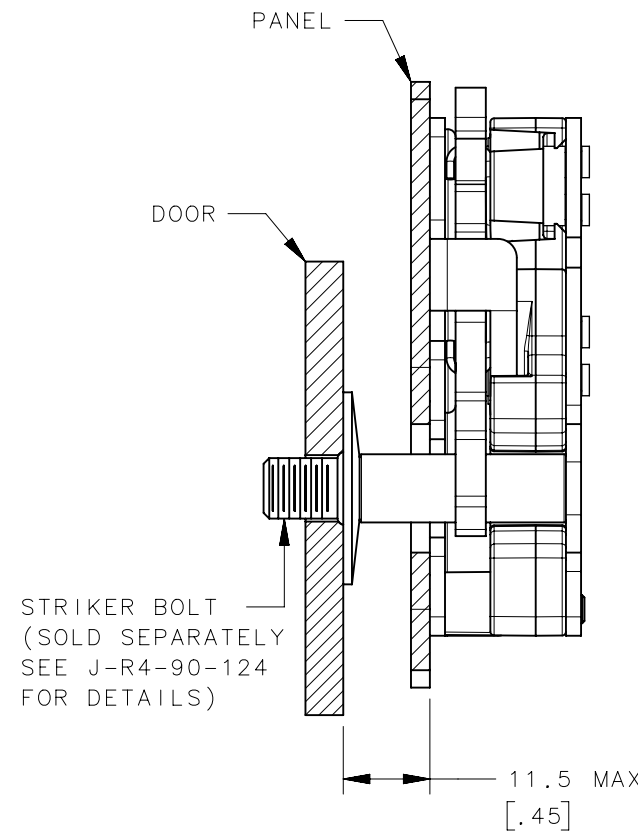
REVISION HISTORY			
REV	DATE	BY	DESCRIPTION
B	19FEB2018	RKS/VK	PRN: P2018-0331

HAND ACTUATION SHOWN

PRIMARY STAGE

SECONDARY STAGE

LATCHED STAGE



NOTES:

- A. THE TOLERANCE BETWEEN THE LATCH AND STRIKER BOLT ASSUMES A NON-RIGID DOOR INSTALLATION THAT WILL ALLOW THE DOOR TO MOVE INTO THE NOMINAL POSITION DURING LATCHING. RIGID DOORS MUST HAVE THE STRIKER INSTALLED PER THE PANEL PREPARATION RECOMMENDATION.
- B. THE MISALIGNMENT VIEW ASSUMES THE LATCH IS CONNECTED TO A PERFECTLY RIGID DOOR AND HINGE; THEREFORE, THERE IS NO DOOR AND/OR HINGE SLACK ASSOCIATED WITH THESE DIMENSIONS. THE MISALIGNMENT VIEW DOES NOT TAKE FLEXING OF THE STRIKER BOLT INTO ACCOUNT.

R4-10-X0-X05-20	Ø 7.2 THRU	Ø 7.2 [.299]
R4-10-X1-X05-20	1/2-20 THREAD	Ø 6.8 [.268]
R4-10-X2-X05-20	M6X1 THREAD	Ø 6.4 [.252]
PART NUMBER	MOUNTING STYLE	MINIMUM PANEL HOLE

THIRD ANGLE PROJECTION	 CONNECT · CREATE · INNOVATE		
			DESCRIPTION R4 MINI ROTARY LATCH RIGHT HAND - 1B - STAINLESS
MILLIMETERS [IN]	SIZE B	SYSTEM NX	DWG NO. J-R4-10-5BR-20
TOLERANCES UNLESS OTHERWISE NOTED	PER ASME Y14.5M-1994	DATE 31DEC2014	SCALE 1:1 SHEET 2 OF 3
ALL DIMENSIONS WITHOUT TOLERANCES ARE FOR REFERENCE ONLY. PROPRIETARY ITEM <small>EXCEPT FOR USES EXPRESSLY GRANTED IN WRITING, INFORMATION DISCLOSED HEREON IS CONFIDENTIAL AND ALL RIGHTS, PATENT AND OTHERWISE, ARE RESERVED BY SOUTHCO, INC.</small>	DRAWN BY YK/DGJ		

6

5

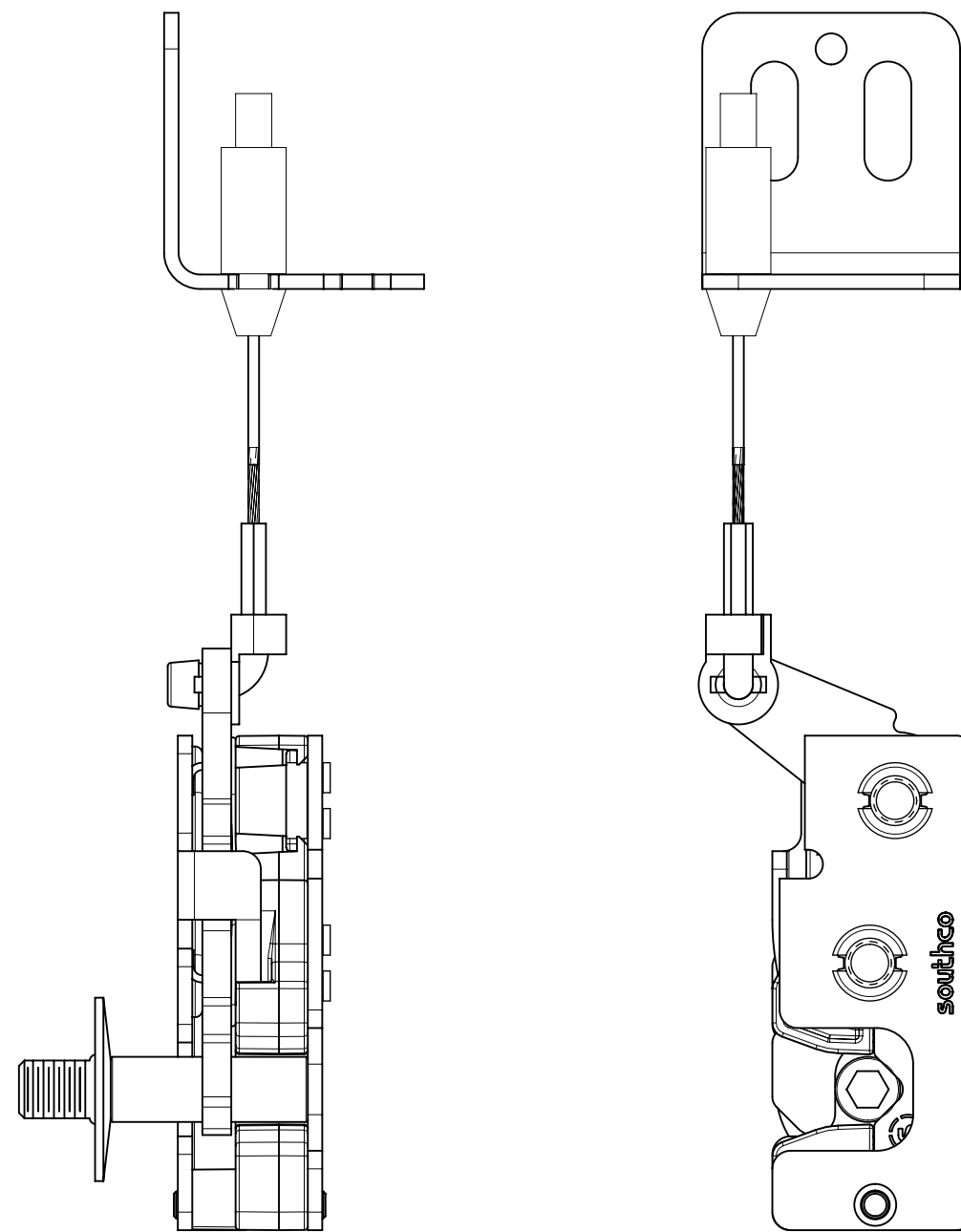
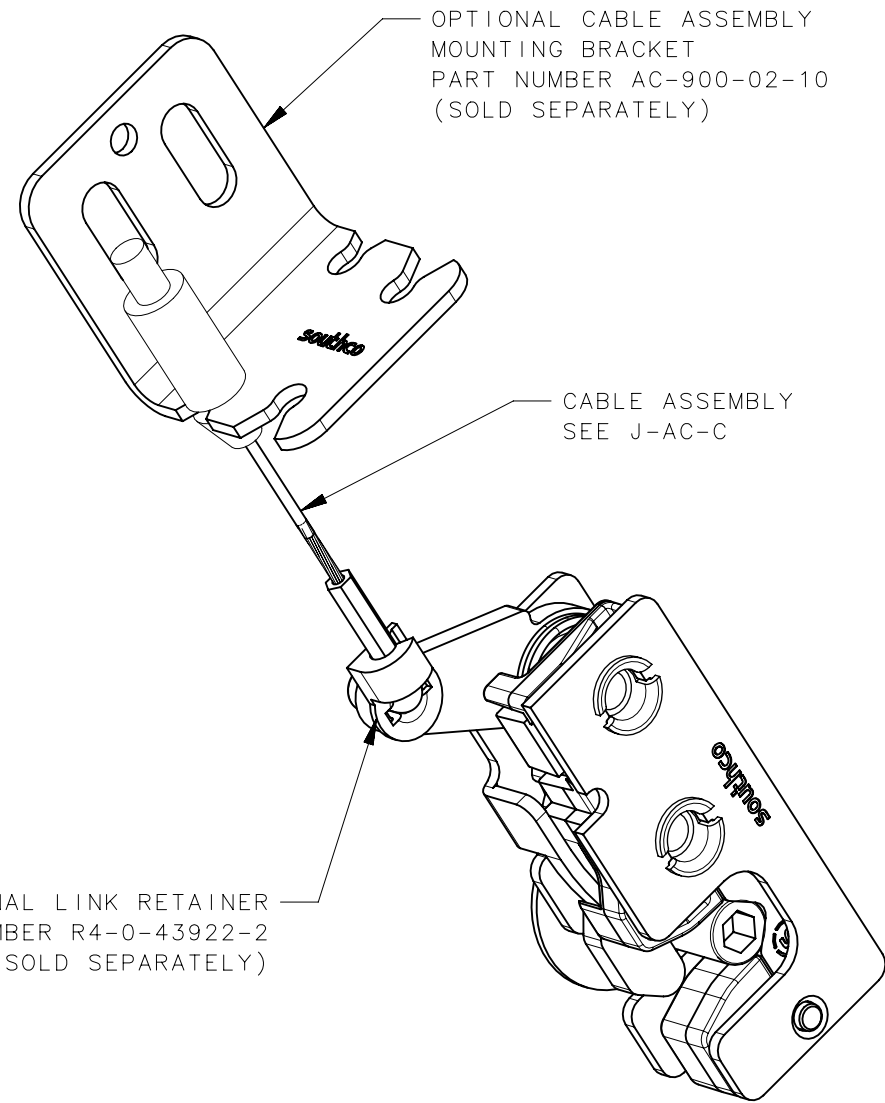
4

3

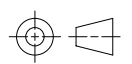
2

1

REVISION HISTORY			
REV	DATE	BY	DESCRIPTION
B	19FEB2018	RKS/VK	PRN: P2018-0331



TOP ACTUATION SHOWN

THIRD ANGLE PROJECTION 		southco [®] CONNECT • CREATE • INNOVATE		
MILLIMETERS [IN]				
TOLERANCES UNLESS OTHERWISE NOTED		DESCRIPTION R4 MINI ROTARY LATCH RIGHT HAND - 1B - STAINLESS		
ALL DIMENSIONS WITHOUT TOLERANCES ARE FOR REFERENCE ONLY.		SIZE B	SYSTEM NX	DWG NO. J-R4-10-5BR-20
PER ASME Y14.5M-1994		DRAWN BY YK/DGJ	DATE 31DEC2014	SCALE 1:1
<small>PROPRIETARY ITEM EXCEPT FOR USES EXPRESSLY GRANTED IN WRITING, INFORMATION DISCLOSED HEREON IS CONFIDENTIAL AND ALL RIGHTS, PATENT AND OTHERWISE, ARE RESERVED BY SOUTHCO, INC.</small>		SHEET 3 OF 3		

6

5

4

3

2

1