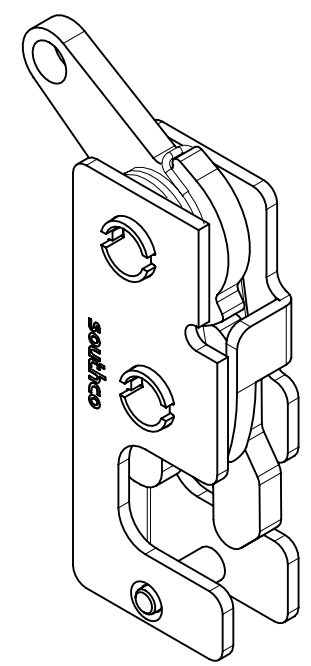
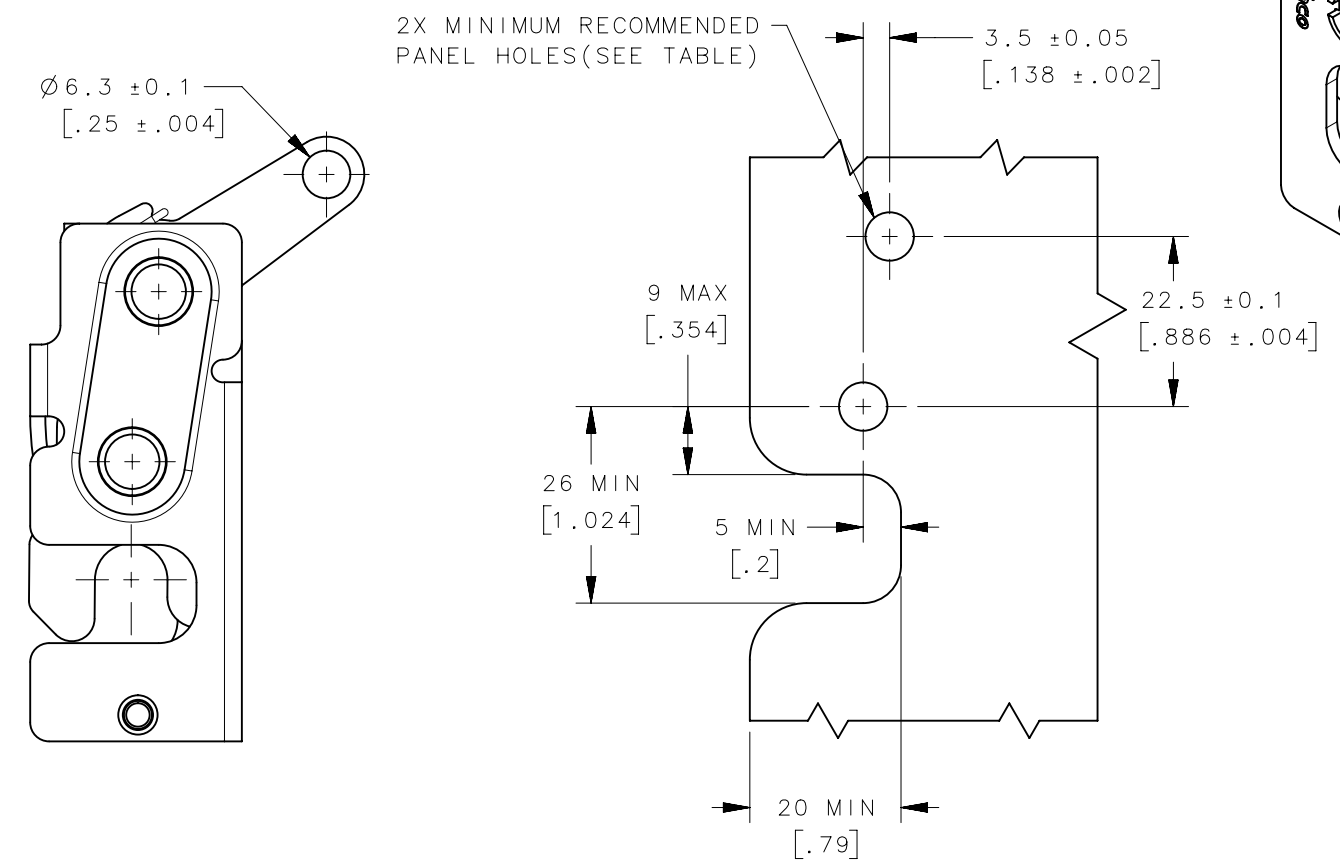
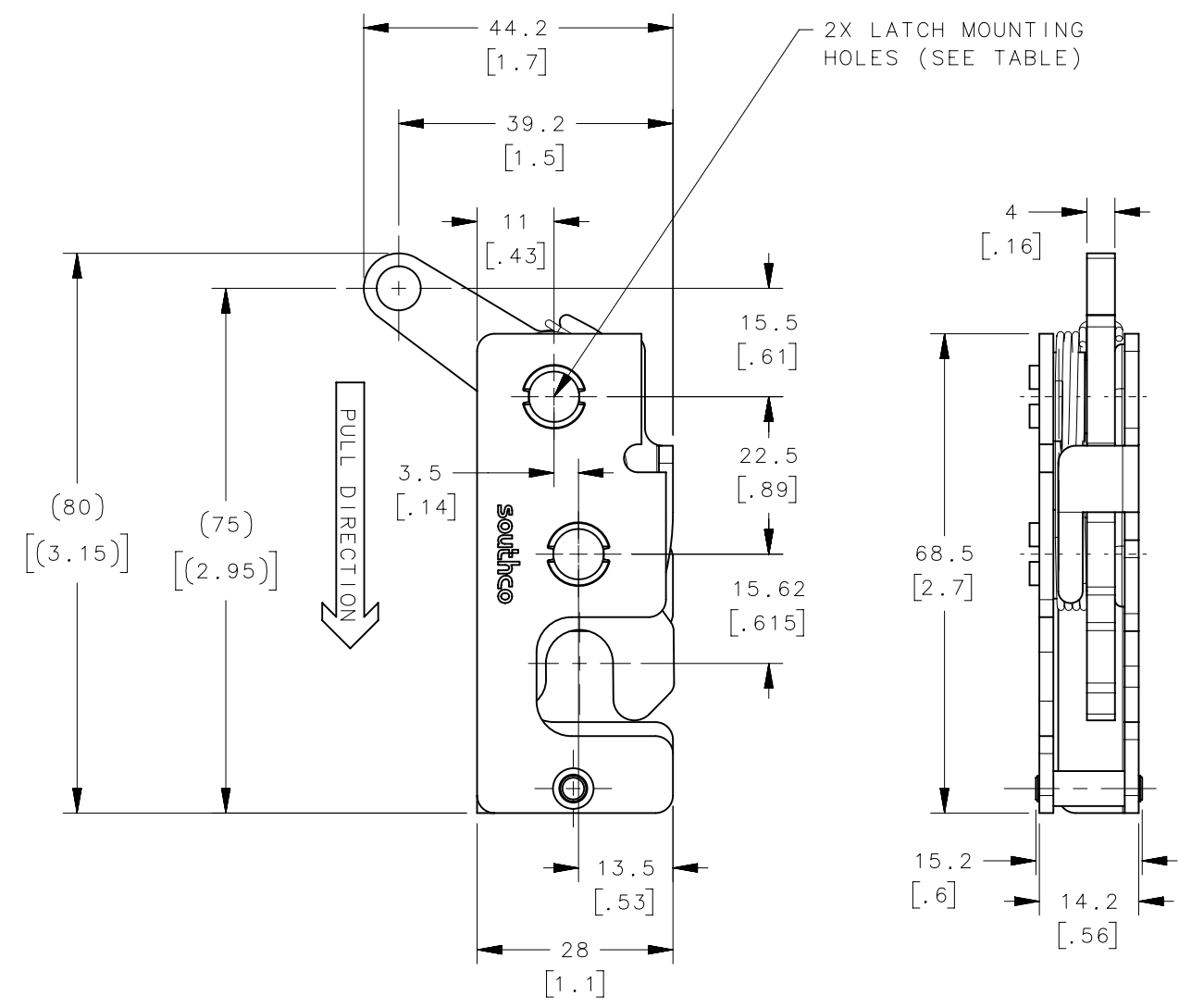


REVISION HISTORY			
REV	DATE	BY	DESCRIPTION
D	18AUG2016	CMS/MGG	PRN: P2016-1876



NOTES:

A. MATERIAL AND FINISH:
- ALL PARTS STAINLESS STEEL,

B. THESE DIMENSIONS REQUIRED FOR MOUNTING STRIKER BOLT.

C. FOR LAYER PACKED OPTION WITHOUT INDIVIDUAL BAGS ADD -P TO PART NUMBER.
FOR EXAMPLE: R4-10-20-501-20-P

R4-10-20-501-20	Ø 7.2mm ±.2 THRU	Ø 7.6 [.299]	
R4-10-21-501-20	1/4-20 THREAD	Ø 6.8 [.268]	
R4-10-22-501-20	M6 THREAD	Ø 6.4 [.252]	
ASSEMBLY PART NUMBER	LATCH MOUNTING HOLE	MINIMUM RECOMMENDED PANEL HOLE	GENERAL NOTES
	THIRD ANGLE PROJECTION		
	MILLIMETERS [IN]		
SURFACE AREA	TOLERANCES UNLESS OTHERWISE NOTED		DESCRIPTION R4 STAINLESS STEEL MINI ROTARY LATCH WITH TRIGGER HOLE - LEFT HAND
VOLUME	ALL DIMENSIONS WITHOUT TOLERANCES ARE FOR REFERENCE ONLY.		
PROPRIETARY ITEM	PER ASME Y14.5M-1994	SIZE B	SYSTEM NX
EXCEPT FOR USES EXPRESSLY GRANTED IN WRITING, INFORMATION DISCLOSED HEREON IS CONFIDENTIAL AND ALL RIGHTS, PATENT AND OTHERWISE, ARE RESERVED BY SOUTHCO, INC.		DWG NO. J-R4-10-20-501-20	SCALE 1:1
		DRAWN BY ACH/JCK	DATE 11NOV2010
			SHEET 1 OF 3

6

5

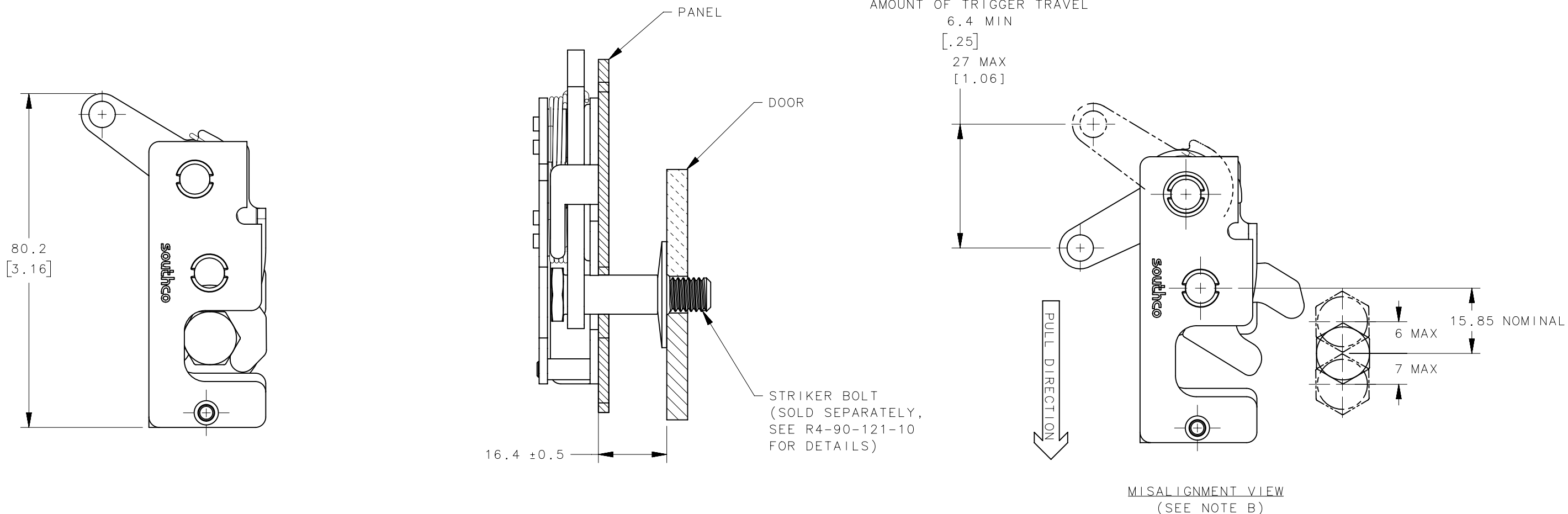
4

3

2

1

REVISION HISTORY			
REV	DATE	BY	DESCRIPTION
D	18AUG2016	CMS/MGG	PRN: P2016-1876



- NOTES:
- A. THE TOLERANCE BETWEEN THE LATCH AND STRIKER BOLT ASSUMES A NON-RIGID DOOR INSTALLATION THAT WILL ALLOW THE DOOR TO MOVE INTO THE NOMINAL POSITION DURING LATCHING. RIGID DOORS MUST HAVE THE STRIKER INSTALLED PER THE PANEL PREPARATION RECOMMENDATION.
 - B. THE MISALIGNMENT VIEW ASSUMES THE LATCH IS CONNECTED TO A PERFECTLY RIGID DOOR AND HINGE; THEREFORE, THERE IS NO DOOR AND/OR HINGE SLACK ASSOCIATED WITH THESE DIMENSIONS. THE MISALIGNMENT VIEW DOES NOT TAKE FLEXING OF THE STRIKER BOLT INTO ACCOUNT.

R4-10-20-501-20	Ø 7.2mm ±.2 THRU	Ø 7.6 [.299]	
R4-10-21-501-20	1/4-20 THREAD	Ø 6.8 [.268]	
R4-10-22-501-20	M6 THREAD	Ø 6.4 [.252]	
ASSEMBLY PART NUMBER	LATCH MOUNTING HOLE	MINIMUM RECOMMENDED PANEL HOLE	
	THIRD ANGLE PROJECTION		
	MILLIMETERS [IN]		
SURFACE AREA	TOLERANCES UNLESS OTHERWISE NOTED		DESCRIPTION
VOLUME	ALL DIMENSIONS WITHOUT TOLERANCES ARE FOR REFERENCE ONLY.		R4 STAINLESS STEEL MINI ROTARY LATCH WITH TRIGGER HOLE - LEFT HAND
PROPRIETARY ITEM	PER ASME Y14.5M-1994	SIZE B	SYSTEM NX
EXCEPT FOR USES EXPRESSLY GRANTED IN WRITING, INFORMATION DISCLOSED HEREON IS CONFIDENTIAL AND ALL RIGHTS, PATENT AND OTHERWISE, ARE RESERVED BY SOUTHCO, INC.		DWG NO. J-R4-10-20-501-20	DATE 11NOV2010
		DRAWN BY ACH/JCK	SCALE 1:1
			SHEET 2 OF 3

6

5

4

3

2

1

6

5

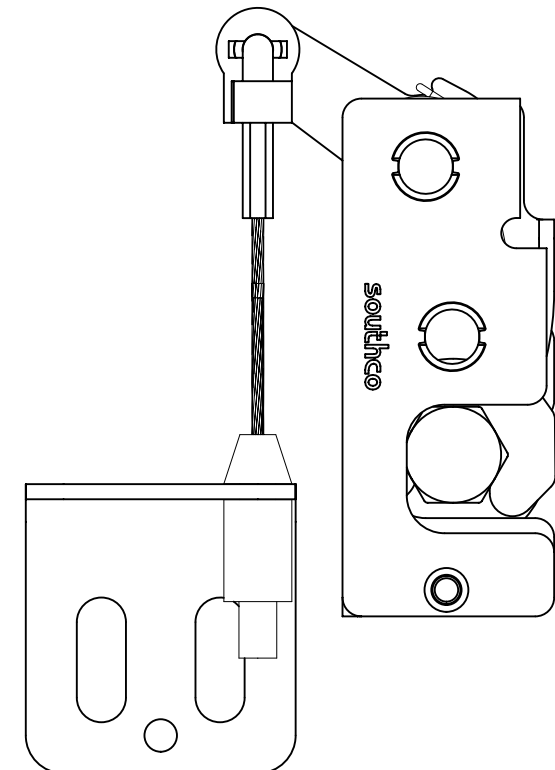
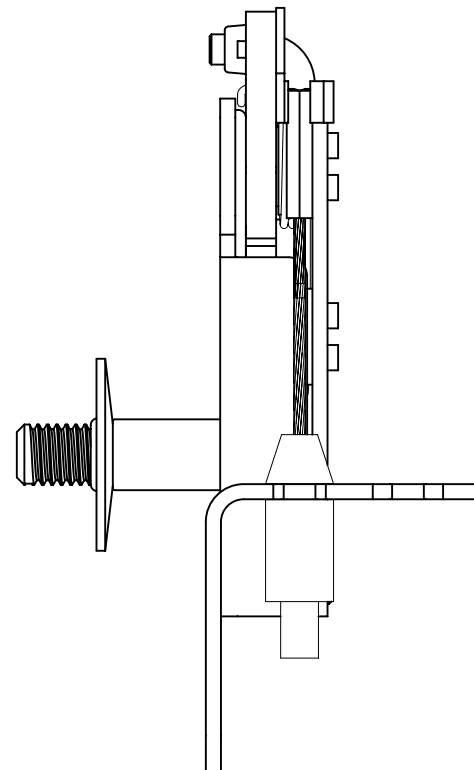
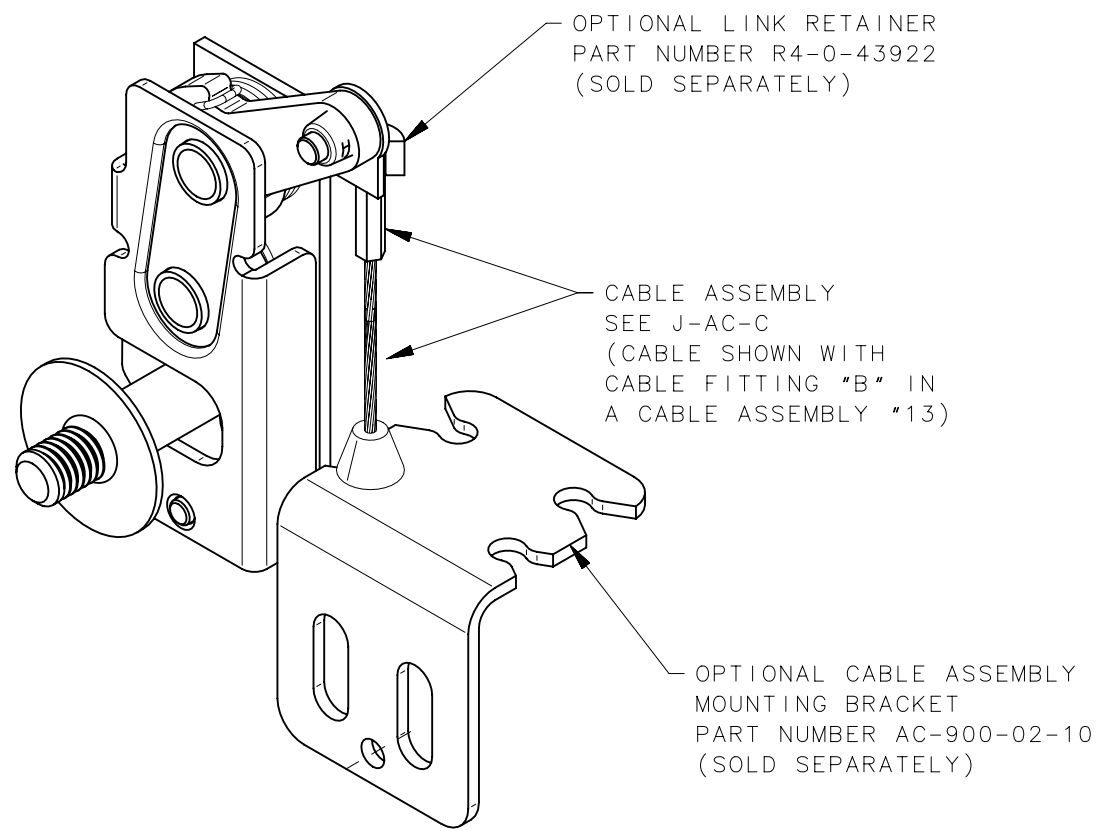
4

3

2

1

REVISION HISTORY			
REV	DATE	BY	DESCRIPTION
D	18AUG2016	CMS/MGG	PRN: P2016-1876



R4-10-20-501-20	Ø 7.2mm ±.2 THRU	Ø 7.6 [.299]	
R4-10-21-501-20	1/4-20 THREAD	Ø 6.8 [.268]	
R4-10-22-501-20	M6 THREAD	Ø 6.4 [.252]	
ASSEMBLY PART NUMBER	LATCH MOUNTING HOLE	MINIMUM RECOMMENDED PANEL HOLE	
THIRD ANGLE PROJECTION		southco [®] CONNECT • CREATE • INNOVATE	
MILLIMETERS [IN]			
TOLERANCES UNLESS OTHERWISE NOTED		DESCRIPTION R4 STAINLESS STEEL MINI ROTARY LATCH WITH TRIGGER HOLE - LEFT HAND	
ALL DIMENSIONS WITHOUT TOLERANCES ARE FOR REFERENCE ONLY.			
PER ASME Y14.5M-1994		SIZE B	SYSTEM NX
DRAWN BY ACH/JCK		DATE 11NOV2010	SCALE 1:1
SHEET 3 OF 3		DWG NO. J-R4-10-20-501-20	

6

5

4

3

2

1