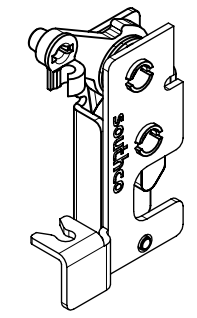
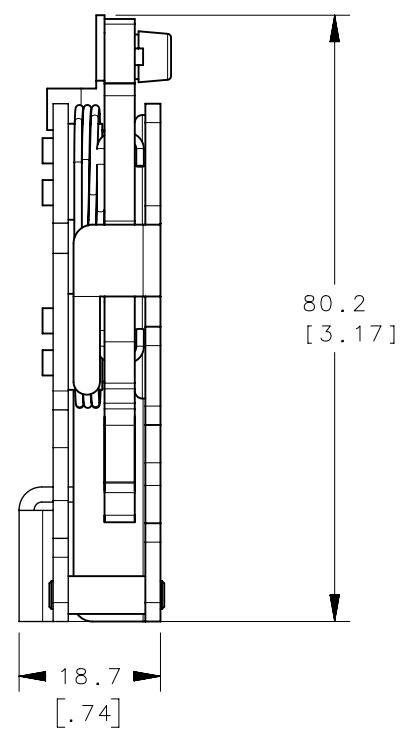
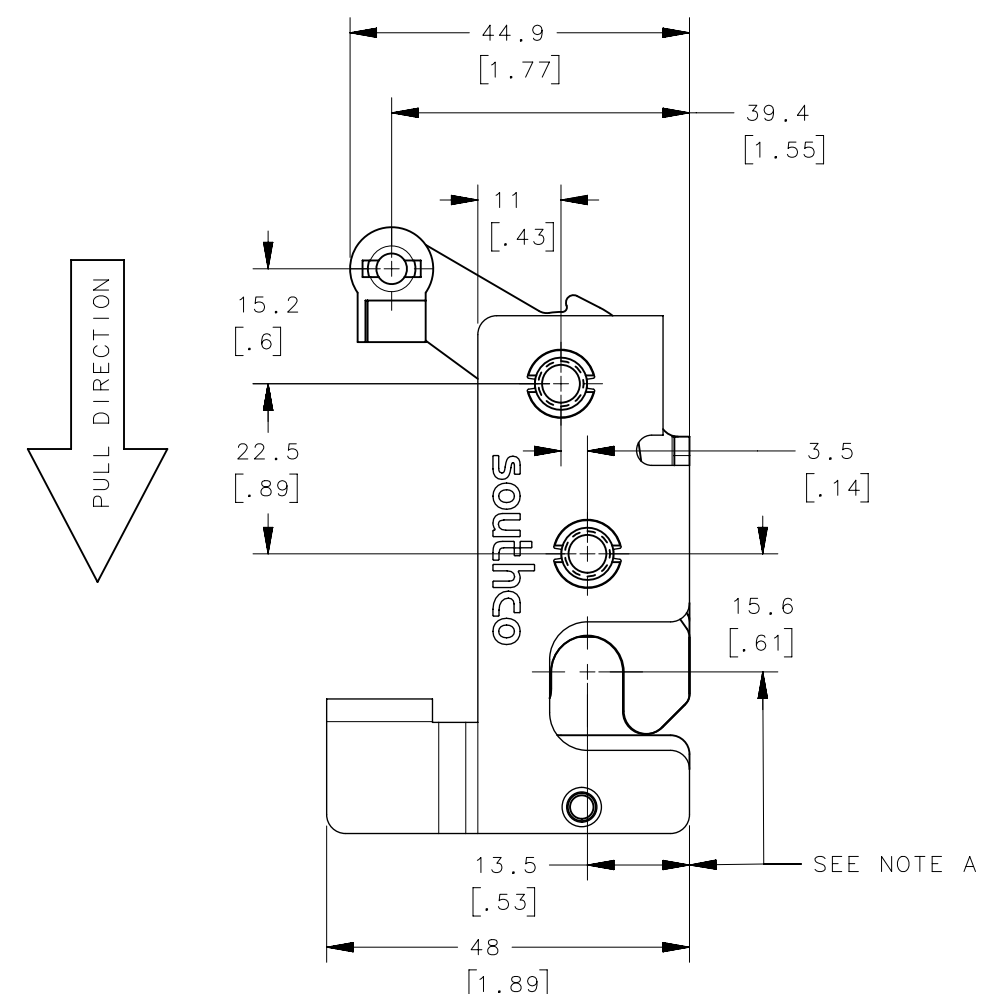


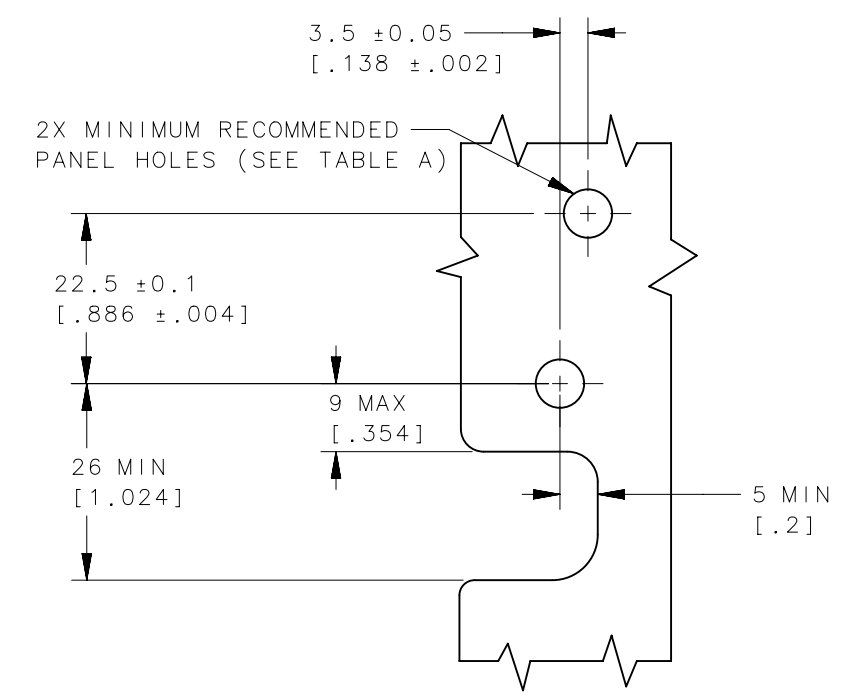
| REVISION HISTORY |           |         |             |
|------------------|-----------|---------|-------------|
| REV              | DATE      | BY      | DESCRIPTION |
| E                | 24JUL2017 | JAD/DGJ | P2017-1783  |



ISOMETRIC VIEW  
SCALE 1:2



PANEL PREPARATION



ASSEMBLY PART No.

R4-10-□□-502-□□

|  |   |   |
|--|---|---|
| <b>STAGE &amp; ACTUATION</b>                           | <b>MOUNTING STYLE</b>                               | <b>MATERIAL</b>                           |
| 2- SINGLE STAGE, LEFT HAND<br>4- DUAL STAGE, LEFT HAND | 0- Ø 7.2 THRU<br>1- 1/4-20 THREAD<br>2- M6x1 THREAD | 1- LOW CARBON STEEL<br>2- STAINLESS STEEL |

| TABLE A        |                                |
|----------------|--------------------------------|
| MOUNTING STYLE | MINIMUM RECOMMENDED PANEL HOLE |
| Ø 7.2 THRU     | Ø 7.6 [.299]                   |
| 1/4-20 THREAD  | Ø 6.8 [.268]                   |
| M6x1 THREAD    | Ø 6.4 [.252]                   |

NOTES:

- A: THESE DIMENSIONS ARE REQUIRED FOR MOUNTING STRIKER BOLT.
- B: FINISH:  
LOW CARBON STEEL COMPONENTS: ZINC PLATE, BRIGHT CHROMATE.  
STAINLESS STEEL COMPONENTS: PASSIVATED.

|  |   |   |
|--|---|---|
| THIRD ANGLE PROJECTION   | <br>CONNECT • CREATE • INNOVATE                           |   |
|  |   |   |
| SURFACE AREA   | TOLERANCES UNLESS OTHERWISE NOTED                         |   |
| VOLUME   | ALL DIMENSIONS WITHOUT TOLERANCES ARE FOR REFERENCE ONLY. |   |
| PROPRIETARY ITEM   | DESCRIPTION   | R4-10 MINI ROTARY LATCH WITH INTEGRATED BRACKET - LEFT HAND |
| EXCEPT FOR USES EXPRESSLY GRANTED IN WRITING, INFORMATION DISCLOSED HEREON IS CONFIDENTIAL AND ALL RIGHTS, PATENT AND OTHERWISE, ARE RESERVED BY SOUTHCO, INC. | SIZE  | B   |
|  | SYSTEM  | NX  |
|  | DWG NO.   | J-R4-10-20-502-10   |
| PER ASME Y14.5M-1994   | DRAWN BY  | CMG/DGJ   |
|  | DATE  | 22JUN2015   |
|  | SCALE   | 1:1   |
|  | SHEET   | 1 OF 2  |

6

5

4

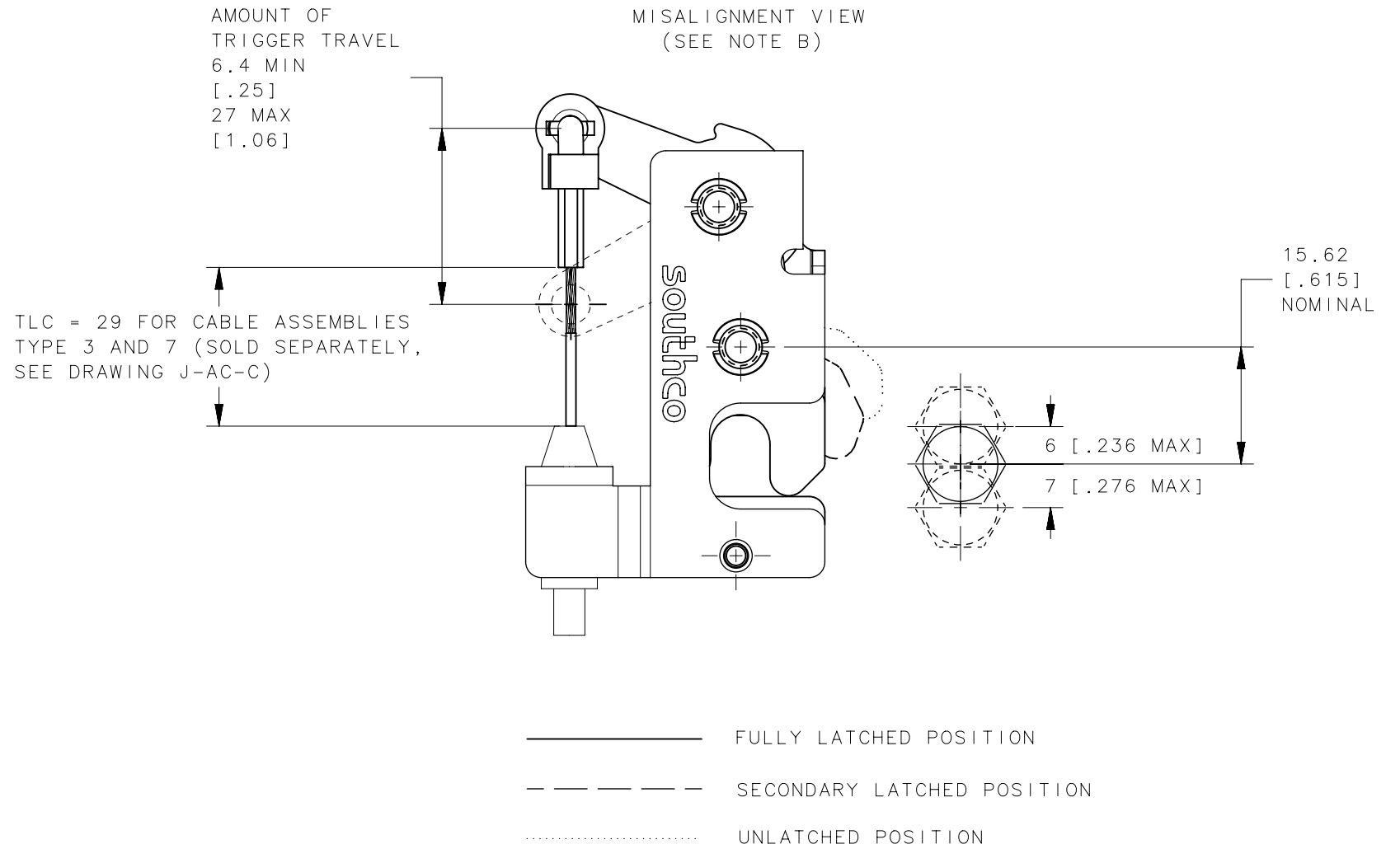
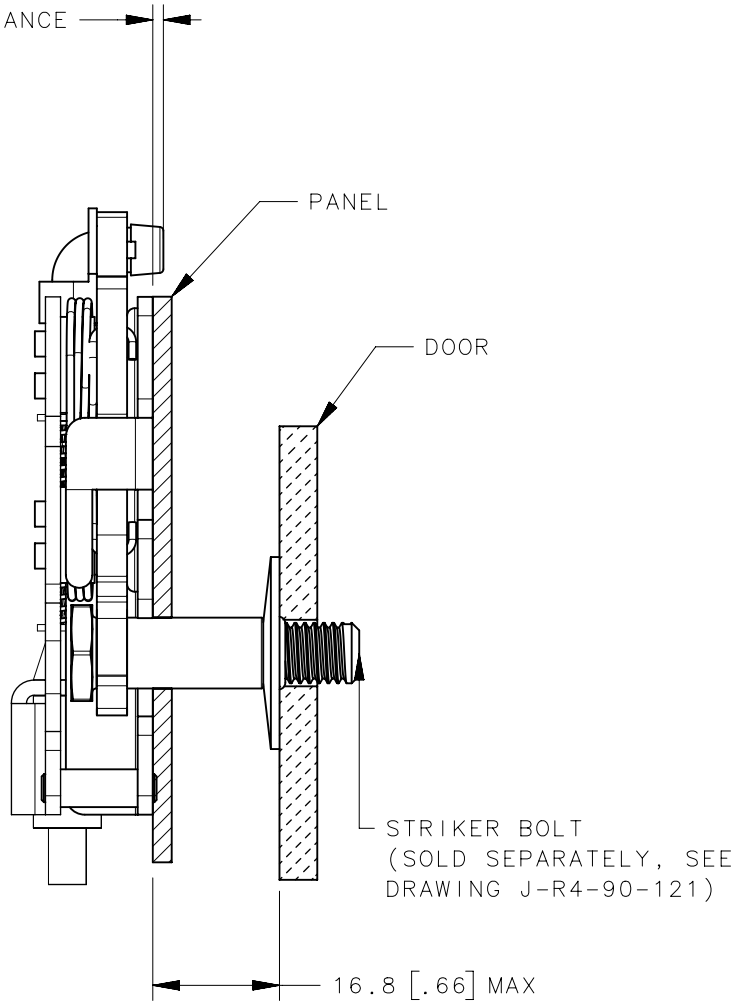
3

2

1

| REVISION HISTORY |           |         |                 |
|------------------|-----------|---------|-----------------|
| REV              | DATE      | BY      | DESCRIPTION     |
| E                | 24JUL2017 | JAD/DGJ | PRN: P2017-1783 |

1.5 MIN CLEARANCE



- NOTES:
- A. THE TOLERANCE BETWEEN THE LATCH AND STRIKER BOLT ASSUMES A NON-RIGID DOOR INSTALLATION THAT WILL ALLOW THE DOOR TO MOVE INTO THE NOMINAL POSITION DURING LATCHING. RIGID DOORS MUST HAVE THE STRIKER INSTALLED PER THE PANEL PREPARATION RECOMMENDATION.
  - B. THE MISALIGNMENT VIEW ASSUMES THE LATCH IS CONNECTED TO A PERFECTLY RIGID DOOR AND HINGE; THEREFORE, THERE IS NO DOOR AND/OR HINGE SLACK ASSOCIATED WITH THESE DIMENSIONS. THE MISALIGNMENT VIEW DOES NOT TAKE FLEXING OF THE STRIKER BOLT INTO ACCOUNT.

|   |  |   |                 |
|---|--|---|-----------------|
| THIRD ANGLE PROJECTION                                    |  | <b>southco</b><br>CONNECT • CREATE • INNOVATE                                 |                 |
| MILLIMETERS [IN]  |  |   |                 |
| TOLERANCES UNLESS OTHERWISE NOTED                         |  | DESCRIPTION<br>R4-10 MINI ROTARY LATCH<br>WITH INTEGRATED BRACKET - LEFT HAND |                 |
| ALL DIMENSIONS WITHOUT TOLERANCES ARE FOR REFERENCE ONLY. |  | SIZE<br>B   | SYSTEM<br>NX    |
| PER ASME Y14.5M-1994                                      |  | DWG NO.<br>J-R4-10-20-502-10  | SCALE<br>1:1    |
| DRAWN BY<br>CMG/DGJ                                       |  | DATE<br>22JUN2015   | SHEET<br>2 OF 2 |

6

5

4

3

2

1