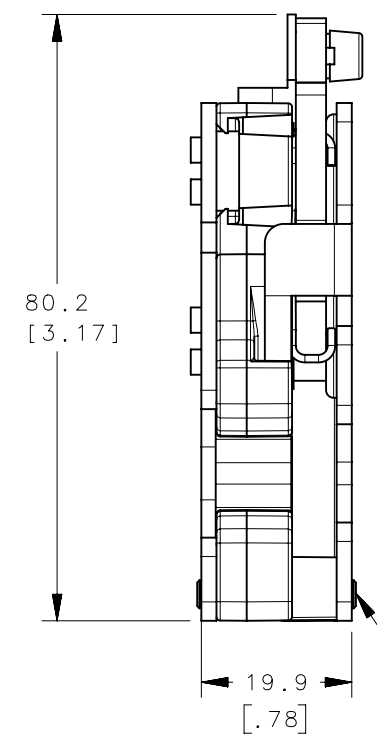
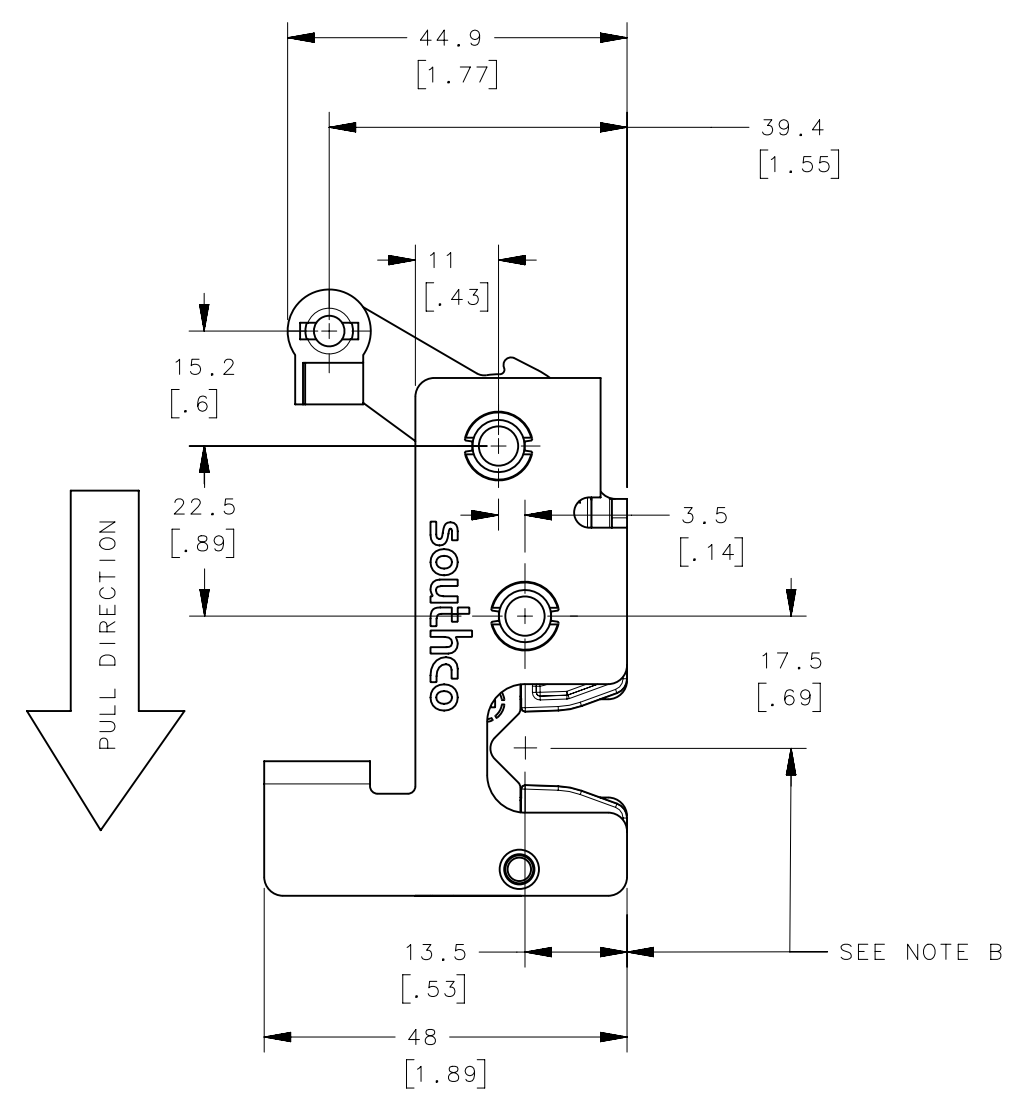
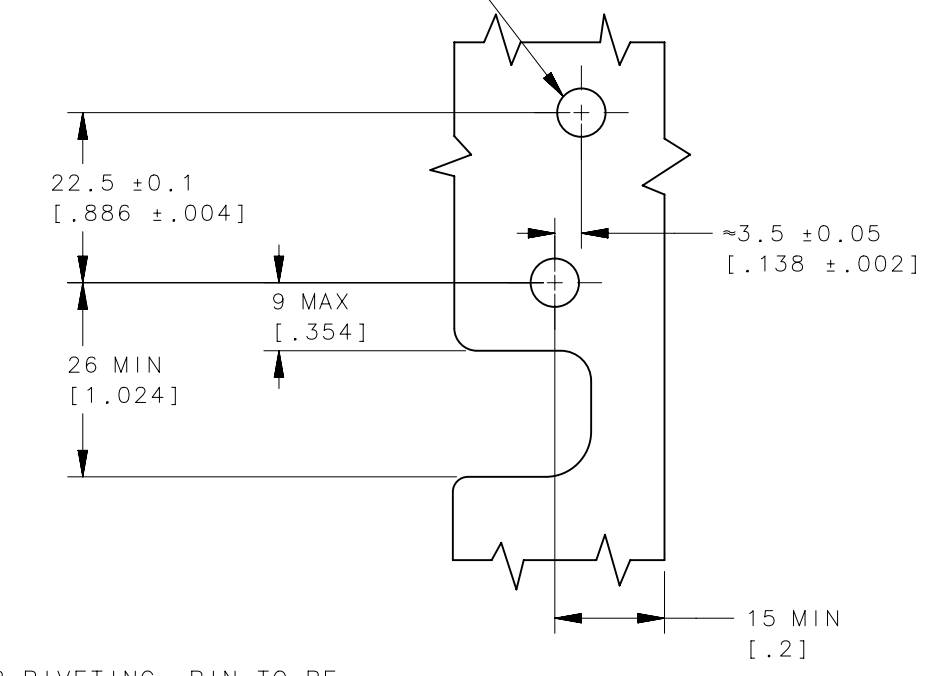


REVISION HISTORY			
REV	DATE	BY	DESCRIPTION
D	09AUG2023	GJL/DMS	PRN: P2023-1477

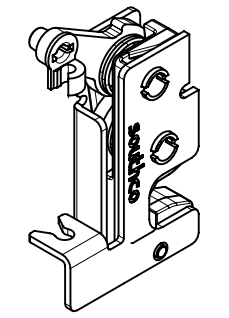


PANEL PREPARATION

2X MINIMUM RECOMMENDED
PANEL HOLES (SEE TABLE A)



AFTER RIVETING, PIN TO BE
RIVETED FLUSH WITH FRAMES



ISOMETRIC VIEW
SCALE 1:2

A. MATERIAL AND FINISH:

- HOUSING, LEVER AND INTERNAL COMPONENTS:
MATERIAL - STEEL
-10 ZINC PLATED, BRIGHT CHROMATE
-77 ZINC NICKEL, BRIGHT CHROMATE
- PAWL AND TRIGGER:
MATERIAL - HARDENED STEEL
-10 ZINC PLATED, BRIGHT CHROMATE
-77 ZINC NICKEL, BRIGHT CHROMATE
- SPRING: STAINLESS STEEL, PASSIVATED

B. THESE DIMENSIONS REQUIRED FOR
MOUNTING STRIKER BOLT.

ASSEMBLY PART No.

R4-10--506-

STAGE & ACTUATION

- 2- SINGLE STAGE, LEFT HAND
- 4- DUAL STAGE, LEFT HAND

MOUNTING STYLE

- 0- Ø 7.2 THRU
- 1- 1/4-20 THREAD
- 2- M6x1 THREAD

MATERIAL / FINISH

- 10- LOW CARBON STEEL, ZINC PLATE CHROMATE
- 77-LOW CARBON STEEL, ZINC NICKEL PLATED

TABLE A

MOUNTING STYLE	MINIMUM RECOMMENDED PANEL HOLES
Ø 7.2mm THRU	Ø 7.2 [.299]
1/4-20 THREAD	Ø 6.8 [.268]
M6x1 THREAD	Ø 6.4 [.252]

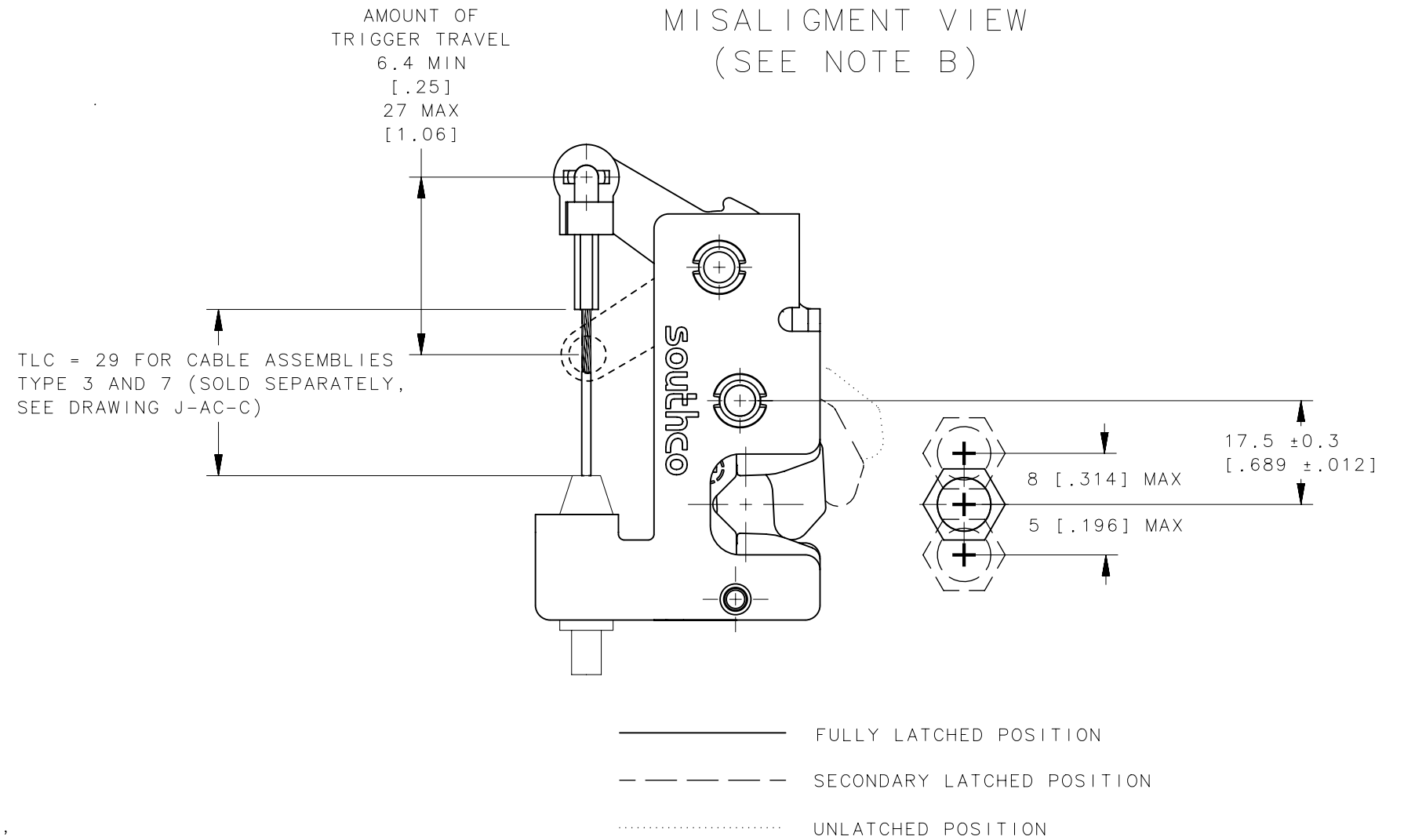
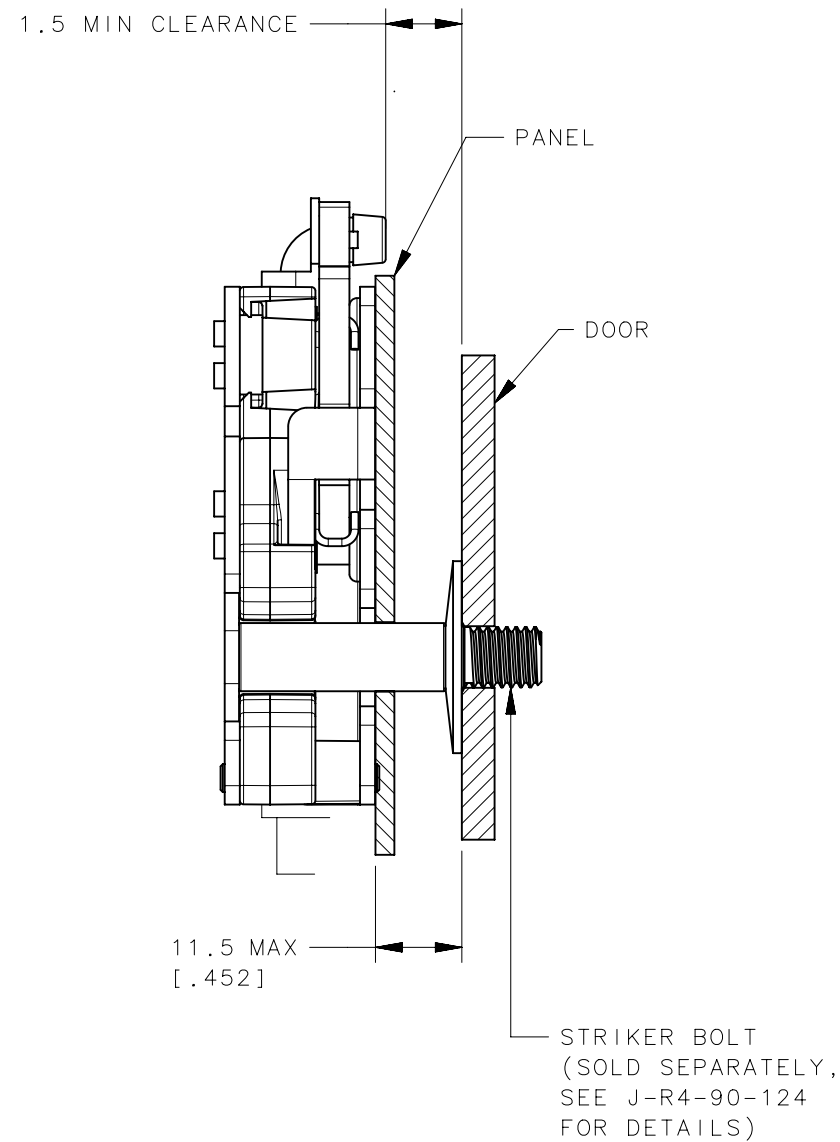
	THIRD ANGLE PROJECTION
	MILLIMETERS [IN]
SURFACE AREA	mm ²
VOLUME	mm ³
PROPRIETARY ITEM	EXCEPT FOR USES EXPRESSLY GRANTED IN WRITING, INFORMATION DISCLOSED HEREON IS CONFIDENTIAL AND ALL RIGHTS, PATENT AND OTHERWISE, ARE RESERVED BY SOUTHCO, INC.
	PER ASME Y14.5M-1994

southco
CONNECT • CREATE • INNOVATE

DESCRIPTION
R4-10 MINI ROTARY LATCH WITH BSR INSERT AND INTEGRATED BRACKET - LEFT HAND

SIZE	SYSTEM	DWG NO.
B	NX	J-R4-10-20-506
DRAWN BY	DATE	SCALE
CMG/DGJ	22JUN2015	1:1
		SHEET 1 OF 2

REVISION HISTORY			
REV	DATE	BY	DESCRIPTION
D	09AUG2023	GJL/DMS	PRN: P2023-1477



NOTES:

A. THE TOLERANCE BETWEEN THE LATCH AND STRIKER BOLT ASSUMES A NON-RIGID DOOR INSTALLATION THAT WILL ALLOW THE DOOR TO MOVE INTO THE NOMINAL POSITION DURING LATCHING. RIGID DOORS MUST HAVE THE STRIKER INSTALLED PER THE PANEL PREPARATION RECOMMENDATION.

B. THE MISALIGNMENT VIEW ASSUMES THE LATCH IS CONNECTED TO A PERFECTLY RIGID DOOR AND HINGE; THEREFORE, THERE IS NO DOOR AND/OR HINGE SLACK ASSOCIATED WITH THESE DIMENSIONS. THE MISALIGNMENT VIEW DOES NOT TAKE FLEXING OF THE STRIKER BOLT INTO ACCOUNT.

	THIRD ANGLE PROJECTION			southco [®] CONNECT • CREATE • INNOVATE	
	MILLIMETERS [IN]				
SURFACE AREA	mm ²	TOLERANCES UNLESS OTHERWISE NOTED		DESCRIPTION	
VOLUME	mm ³	ALL DIMENSIONS WITHOUT TOLERANCES ARE FOR REFERENCE ONLY.		R4-10 MINI ROTARY LATCH WITH BSR INSERT AND INTEGRATED BRACKET - LEFT HAND	
PROPRIETARY ITEM		SIZE	SYSTEM	DWG NO.	
EXCEPT FOR USES EXPRESSLY GRANTED IN WRITING, INFORMATION DISCLOSED HEREON IS CONFIDENTIAL AND ALL RIGHTS, PATENT AND OTHERWISE, ARE RESERVED BY SOUTHCO, INC.		B	NX	J-R4-10-20-506	
	PER ASME Y14.5M-1994	DRAWN BY	DATE	SCALE	SHEET
		CMG/DGJ	22JUN2015	1:1	2 OF 2