

6

5

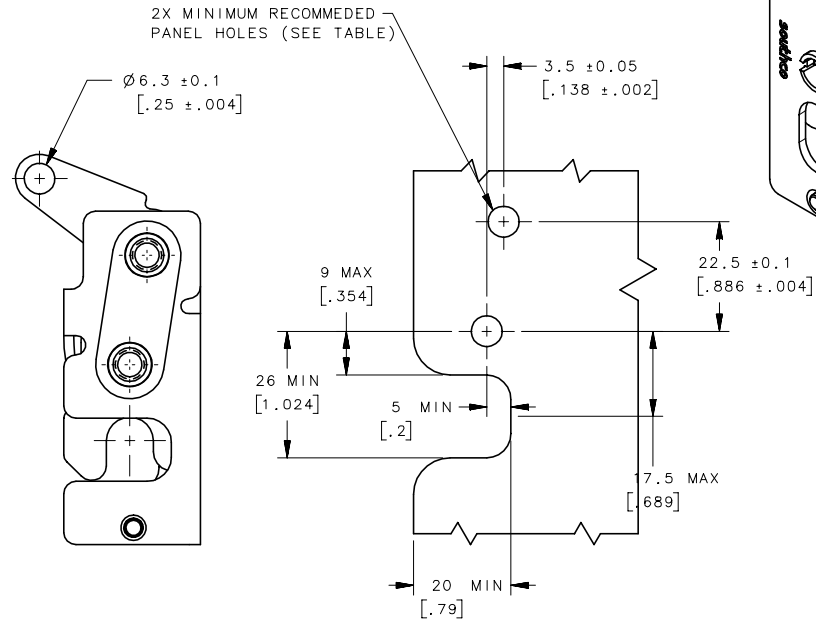
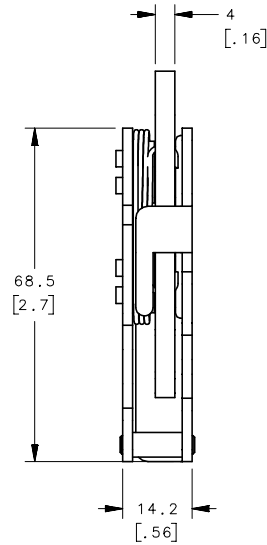
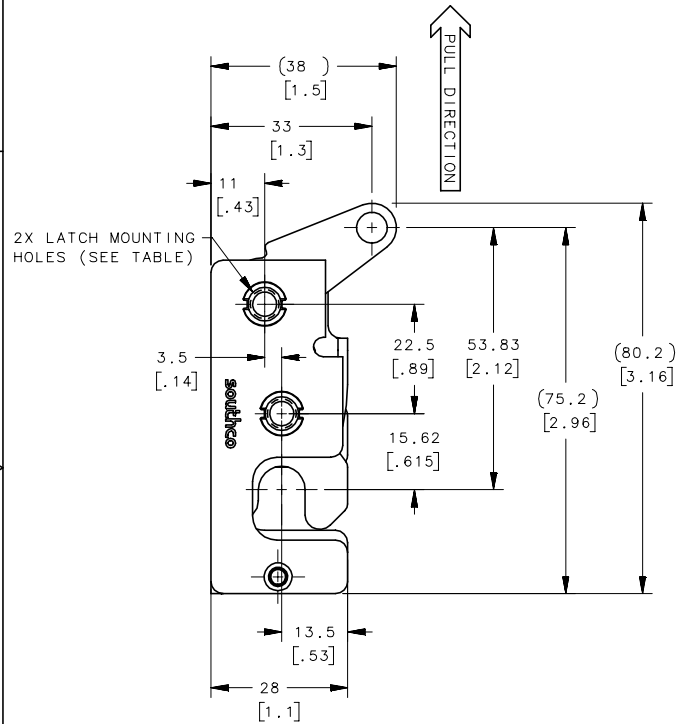
4

3

2

1

REVISION HISTORY			
REV	DATE	BY	DESCRIPTION
E	19MAY2016	ACH/DGJ	PRN: P2016-0814



PANEL PREPARATION

NOTES:

A. MATERIAL AND FINISH:

- HOUSING, LEVER AND INTERNAL COMPONENTS:
MATERIAL - STEEL
-10 ZINC PLATED, BRIGHT CHROMATE
-77 ZINC NICKEL, BRIGHT CHROMATE

- PAWL AND TRIGGER:
MATERIAL - HARDENED STEEL
-10 ZINC PLATED, BRIGHT CHROMATE
-77 ZINC NICKEL, BRIGHT CHROMATE

- SPRING: STAINLESS STEEL, PASSIVATED

B. THESE DIMENSIONS REQUIRED FOR MOUNTING STRIKER BOLT.

R4-10-20-601-77	$\varnothing 7.2\text{mm}$ THRU	$\varnothing 7.6$ [.299]	SEE NOTE A
R4-10-21-601-77	1/4-20 THREAD	$\varnothing 6.8$ [.268]	
R4-10-22-601-77	M6 THREAD	$\varnothing 6.4$ [.252]	
R4-10-20-601-10	$\varnothing 7.2\text{mm}$ THRU	$\varnothing 7.6$ [.299]	
R4-10-21-601-10	1/4-20 THREAD	$\varnothing 6.8$ [.268]	
R4-10-22-601-10	M6 THREAD	$\varnothing 6.4$ [.252]	
ASSEMBLY PART NUMBER	LATCH MOUNTING HOLE	MINIMUM RECOMMENDED PANEL HOLE	FINISH
	THIRD ANGLE PROJECTION		
	MILLIMETERS [IN]		
SURFACE AREA	TOLERANCES UNLESS OTHERWISE NOTED	DESCRIPTION	
VOLUME	ALL DIMENSIONS WITHOUT TOLERANCES ARE FOR REFERENCE ONLY.	R4 MINI ROTARY LATCH WITH TRIGGER HOLE - LEFT HAND	
PROPRIETARY ITEM EXCEPT FOR USES EXPRESSLY GRANTED IN WRITING, INFORMATION DISCLOSED HEREON IS CONFIDENTIAL AND ALL RIGHTS, PATENT AND OTHERWISE, ARE RESERVED BY SOUTHCO, INC.	PER ASME Y14.5M-1994	SIZE SYSTEM B NX	DWG NO. J-R4-10-20-601
		DRAWN BY ACH/JCK	DATE 11NOV2010
		SCALE 1:1	SHEET 1 OF 3

6

5

4

3

2

1

6

5

4

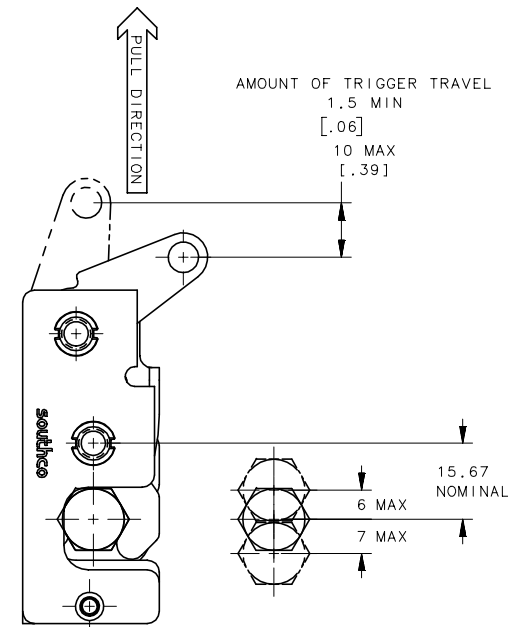
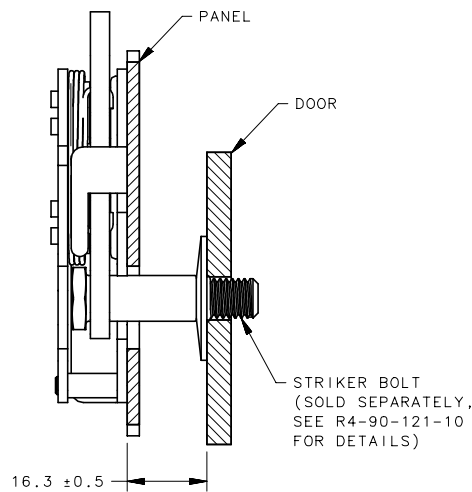
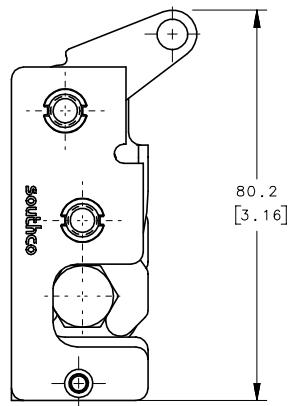


3

2

1

REVISION HISTORY			
REV	DATE	BY	DESCRIPTION
E	19MAY2016	ACH/DGJ	PRN: P2016-0814



MISALIGNMENT VIEW
(SEE NOTE B)

NOTES:

- A. THE TOLERANCE BETWEEN THE LATCH AND STRIKER BOLT ASSUMES A NON-RIGID DOOR INSTALLATION THAT WILL ALLOW THE DOOR TO MOVE INTO THE NOMINAL POSITION DURING LATCHING. RIGID DOORS MUST HAVE THE STRIKER INSTALLED PER THE PANEL PREPARATION RECOMMENDATION.
- B. THE MISALIGNMENT VIEW ASSUMES THE LATCH IS CONNECTED TO A PERFECTLY RIGID DOOR AND HINGE; THEREFORE, THERE IS NO DOOR AND/OR HINGE SLACK ASSOCIATED WITH THESE DIMENSIONS. THE MISALIGNMENT VIEW DOES NOT TAKE FLEXING OF THE STRIKER BOLT INTO ACCOUNT.

	THIRD ANGLE PROJECTION	southco CONNECT · CREATE · INNOVATE		
	MILLIMETERS [IN]			
SURFACE AREA	TOLERANCES UNLESS OTHERWISE NOTED	DESCRIPTION R4 MINI ROTARY LATCH WITH TRIGGER HOLE - LEFT HAND		
VOLUME	ALL DIMENSIONS WITHOUT TOLERANCES ARE FOR REFERENCE ONLY.	SIZE B	SYSTEM NX	DWG NO. J-R4-10-20-601
PROPRIETARY ITEM <small>EXCEPT FOR USES EXPRESSLY GRANTED IN WRITING, INFORMATION DISCLOSED HEREIN IS CONFIDENTIAL AND ALL RIGHTS, PATENT AND OTHERWISE, ARE RESERVED BY SOUTHCO, INC.</small>	PER ASME Y14.5M-1994	DRAWN BY ACH/JCK	DATE 11NOV2010	SCALE 1:1 SHEET 2 OF 3

6

5

4



3

2

1

6

5

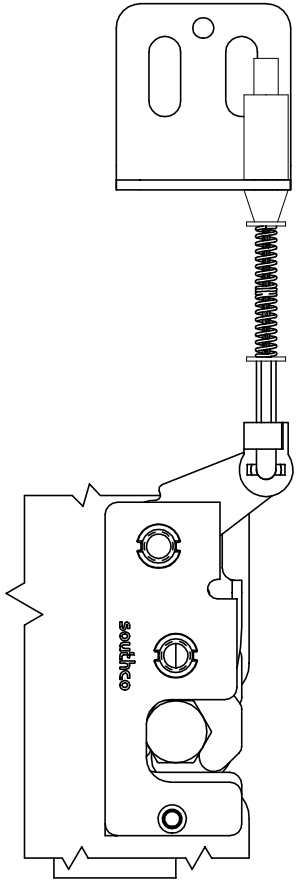
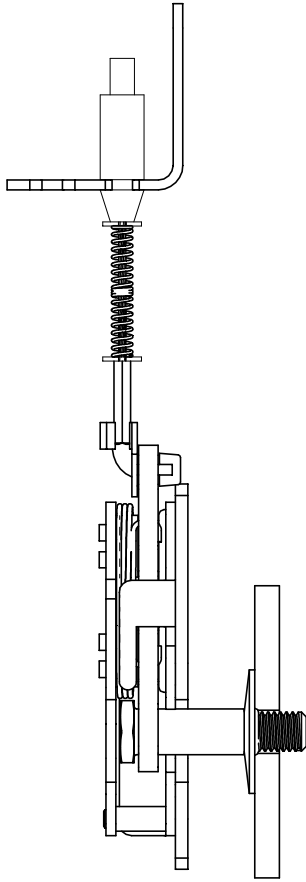
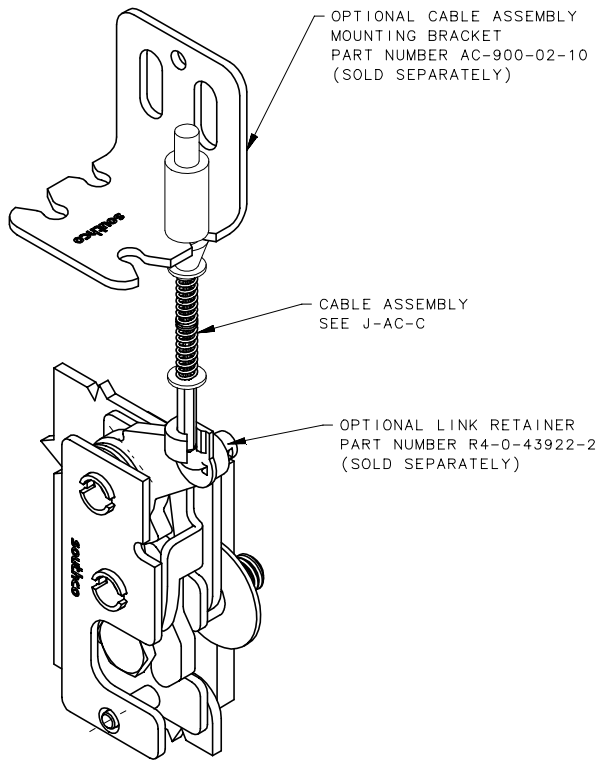
4

3

2

1

REVISION HISTORY			
REV	DATE	BY	DESCRIPTION
E	19MAY2016	ACH/DGJ	PRN: P2016-0814



	THIRD ANGLE PROJECTION	southco CONNECT · CREATE · INNOVATE		
	MILLIMETERS [IN]			
SURFACE AREA	TOLERANCES UNLESS OTHERWISE NOTED	DESCRIPTION R4 MINI ROTARY LATCH WITH TRIGGER HOLE - LEFT HAND		
VOLUME	ALL DIMENSIONS WITHOUT TOLERANCES ARE FOR REFERENCE ONLY.	SIZE B	SYSTEM NX	DWG NO. J-R4-10-20-601
PROPRIETARY ITEM EXCEPT FOR USES EXPRESSLY GRANTED IN WRITING, INFORMATION DISCLOSED HEREON IS CONFIDENTIAL AND ALL RIGHTS, PATENT AND OTHERWISE, ARE RESERVED BY SOUTHCO, INC.	PER ASME Y14.5M-1994	DRAWN BY ACH/JCK	DATE 11NOV2010	SCALE 1:1 SHEET 3 OF 3

6

5

4

3

2

1