

6

5

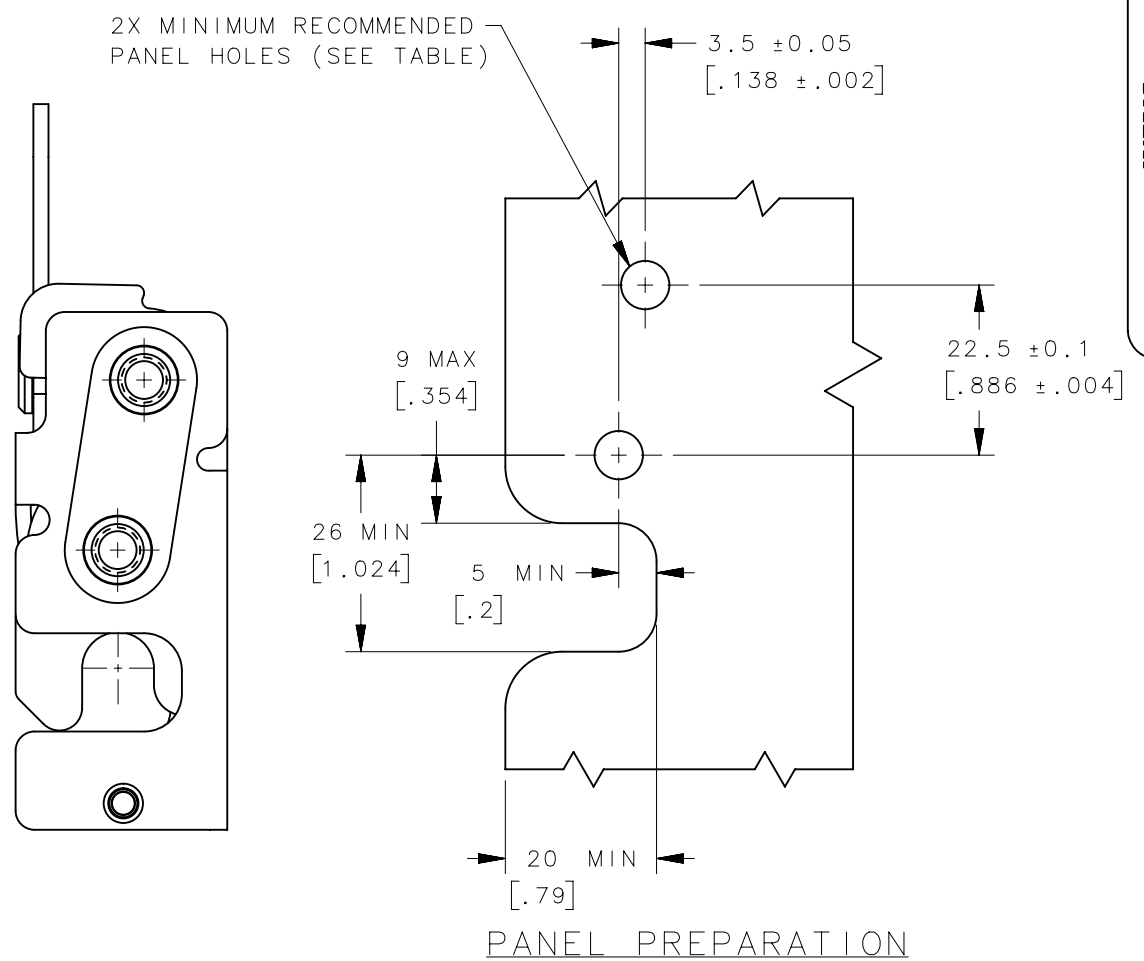
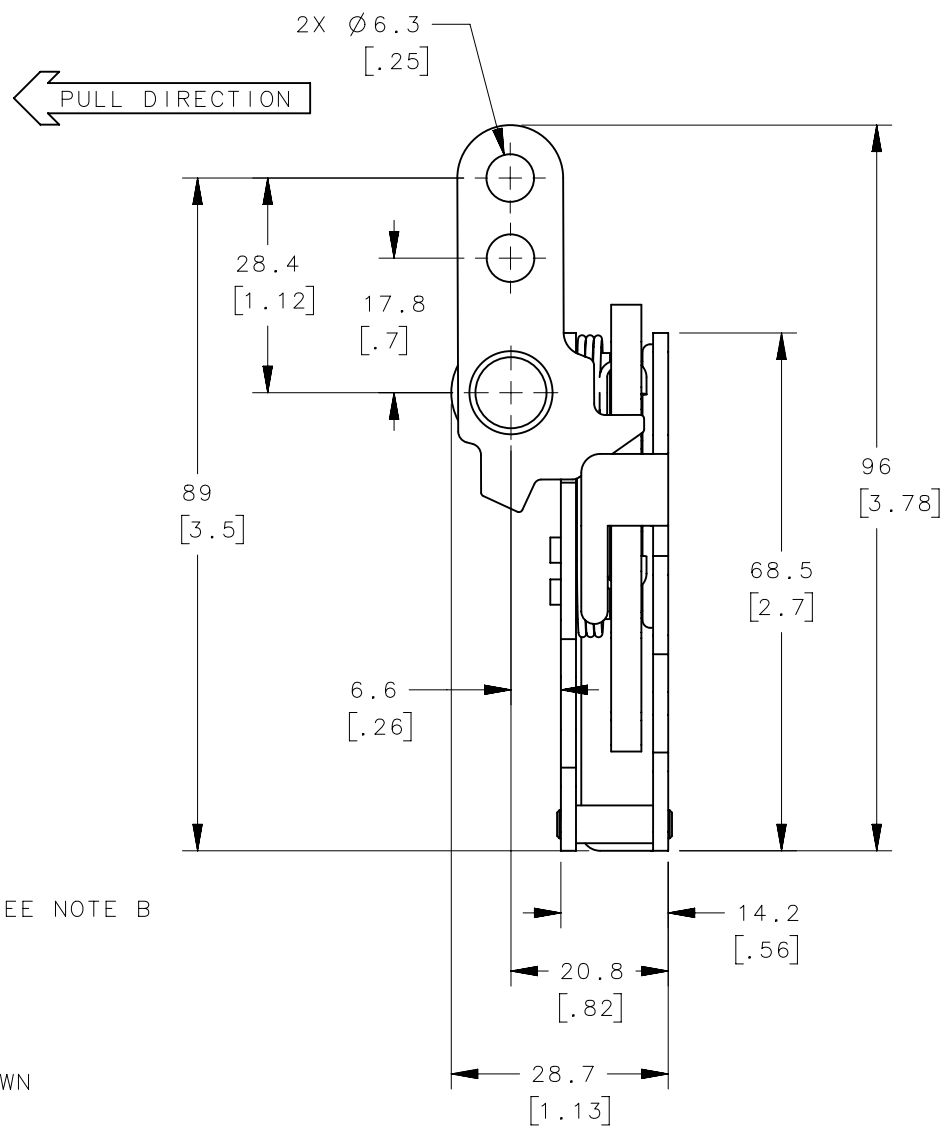
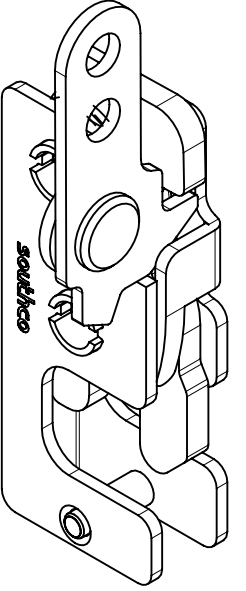
4

3

2

1

REVISION HISTORY			
REV	DATE	BY	DESCRIPTION
C	27JUL2021	KSH/HPD	PRN: P2021-1536



ASSEMBLY R4-10-40-201-10 SHOWN

NOTES:

A. MATERIAL AND FINISH:

- HOUSING, LEVER AND INTERNAL COMPONENTS:  
MATERIAL - STEEL  
-10 ZINC PLATED, BRIGHT CHROMATE  
-77 ZINC NICKEL, BRIGHT CHROMATE
- PAWL AND TRIGGER:  
MATERIAL - HARDENED STEEL  
-10 ZINC PLATED, BRIGHT CHROMATE  
-77 ZINC NICKEL, BRIGHT CHROMATE  
ZINC PLATE CHROMATE.
- SPRING: STAINLESS STEEL, PASSIVATED

B. THESE DIMENSIONS REQUIRED FOR MOUNTING STRIKER BOLT.

C.  $\phi 6.3$  (.25) LEVER HOLES USE OPTIONAL CABLE RETAINER R4-0-43922 SOLD SEPARATELY.

R4-10-40-201-77	$\phi 7.2\text{mm}$ THRU	SEE NOTE A	SEE NOTE A
R4-10-41-201-77	1/4-20 THREAD		
R4-10-42-201-77	M6 THREAD		
R4-10-40-201-10	$\phi 7.2\text{mm}$ THRU		
R4-10-41-201-10	1/4-20 THREAD		
R4-10-42-201-10	M6 THREAD		
ASSEMBLY PART NUMBER	LATCH MOUNTING HOLE	MATERIAL	FINISH

THIRD ANGLE PROJECTION				<b>southco</b> <sup>®</sup> CONNECT • CREATE • INNOVATE		
MILLIMETERS [IN]						
SURFACE AREA	TOLERANCES UNLESS OTHERWISE NOTED			DESCRIPTION		
VOLUME	ALL DIMENSIONS WITHOUT TOLERANCES ARE FOR REFERENCE ONLY.			R4 MINI TWO STAGE ROTARY LATCH INLINE - LEFT HAND		
PROPRIETARY ITEM	SIZE	SYSTEM	DWG NO.	J-R4-10-40-201		
EXCEPT FOR USES EXPRESSLY GRANTED IN WRITING, INFORMATION DISCLOSED HEREON IS CONFIDENTIAL AND ALL RIGHTS, PATENT AND OTHERWISE, ARE RESERVED BY SOUTHCO, INC.	B	NX		DRAWN BY	DATE	SCALE
	PER ASME Y14.5M-1994	YSN/ACH	26APR2012	1:1	SHEET 1 OF 2	

6

5

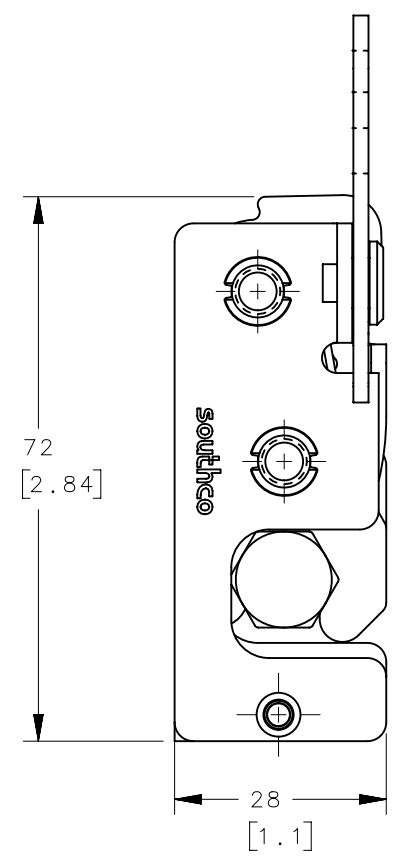
4

3

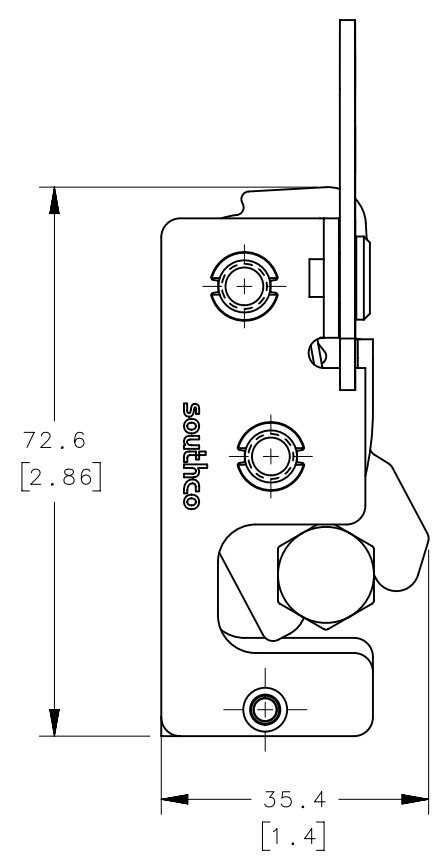
2

1

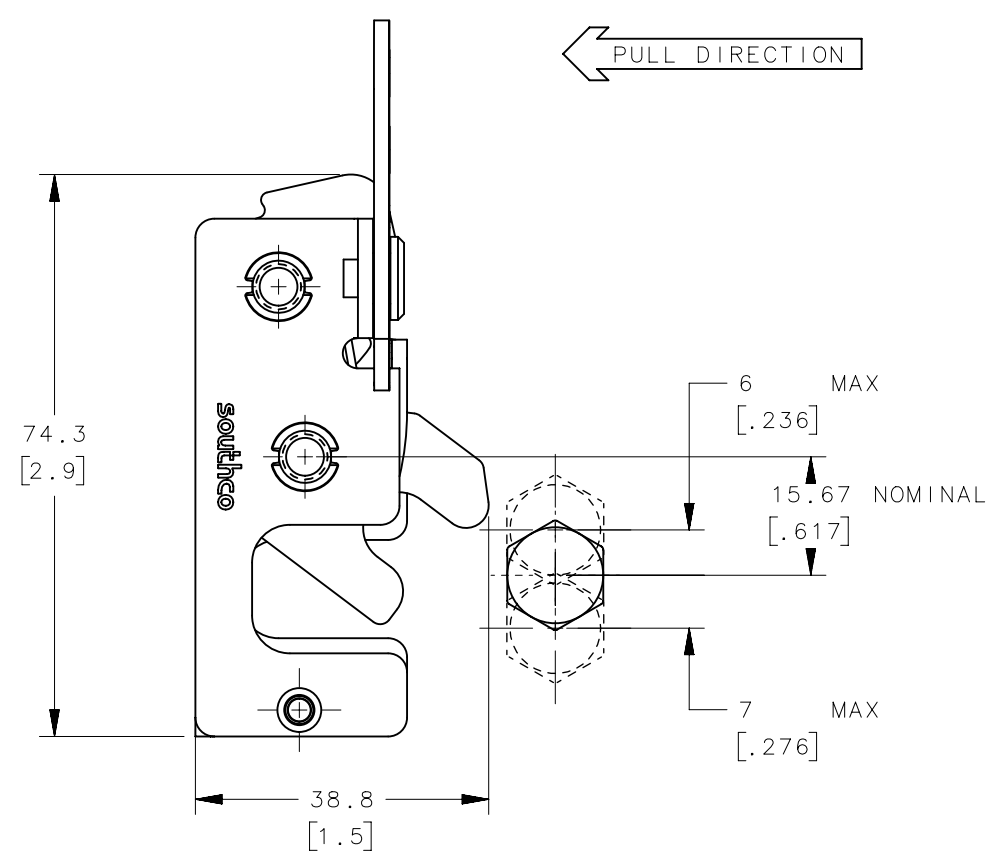
REVISION HISTORY			
REV	DATE	BY	DESCRIPTION
C	27JUL2021	KSH/HPD	PRN: P2021-1536



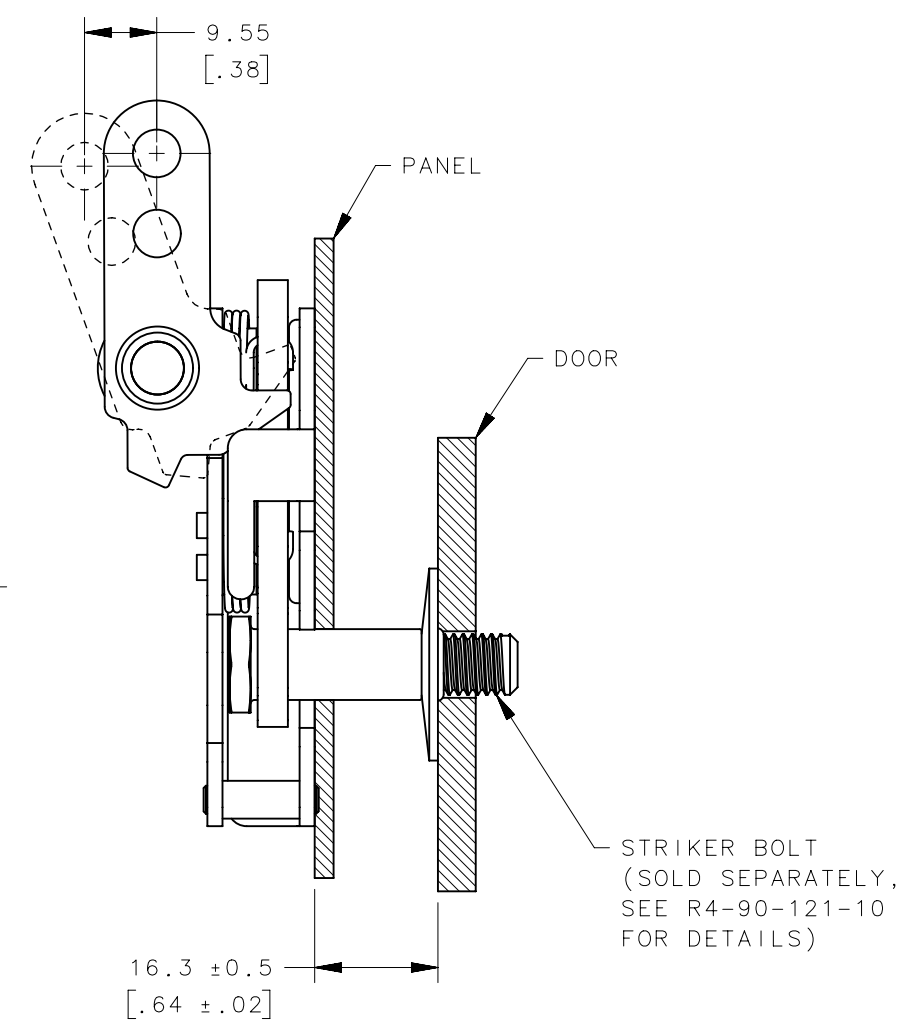
LATCHED STAGE



SECONDARY STAGE



MISALIGNMENT VIEW  
PRIMARY STAGE



ASSEMBLY R4-10-40-201-10 SHOWN

NOTES:

- A. THE TOLERANCE BETWEEN THE LATCH AND STRIKER BOLT ASSUMES A NON-RIGID DOOR INSTALLATION THAT WILL ALLOW THE DOOR TO MOVE INTO THE NOMINAL POSITION DURING LATCHING. RIGID DOORS MUST HAVE THE STRIKER INSTALLED PER THE PANEL PREPARATION RECOMMENDATION.
- B. THE MISALIGNMENT VIEW ASSUMES THE LATCH IS CONNECTED TO A PERFECTLY RIGID DOOR AND HINGE; THEREFORE, THERE IS NO DOOR AND/OR HINGE SLACK ASSOCIATED WITH THESE DIMENSIONS. THE MISALIGNMENT VIEW DOES NOT TAKE FLEXING OF THE STRIKER BOLT INTO ACCOUNT.

R4-10-40-201-77	Ø 7.2mm THRU	Ø 7.6 [.299]
R4-10-41-201-77	1/4-20 THREAD	Ø 6.8 [.268]
R4-10-42-201-77	M6 THREAD	Ø 6.4 [.252]
R4-10-40-201-10	Ø 7.2mm THRU	Ø 7.6 [.299]
R4-10-41-201-10	1/4-20 THREAD	Ø 6.8 [.268]
R4-10-42-201-10	M6 THREAD	Ø 6.4 [.252]
ASSEMBLY PART NUMBER	LATCH MOUNTING HOLE	MINIMUM RECOMMENDED PANEL HOLE

THIRD ANGLE PROJECTION			<b>southco</b> <sup>®</sup> CONNECT · CREATE · INNOVATE	
MILLIMETERS [IN]				
TOLERANCES UNLESS OTHERWISE NOTED	DESCRIPTION R4 MINI TWO STAGE ROTARY LATCH INLINE - LEFT HAND			
ALL DIMENSIONS WITHOUT TOLERANCES ARE FOR REFERENCE ONLY.	SIZE B	SYSTEM NX	DWG NO. J-R4-10-40-201	
PER ASME Y14.5M-1994	DRAWN BY YSN/ACH	DATE 26APR2012	SCALE 1:1	SHEET 2 OF 2

PROPRIETARY ITEM  
EXCEPT FOR USES EXPRESSLY GRANTED  
IN WRITING, INFORMATION DISCLOSED  
HEREON IS CONFIDENTIAL AND ALL  
RIGHTS, PATENT AND OTHERWISE,  
ARE RESERVED BY SOUTHCO, INC.