

6

5

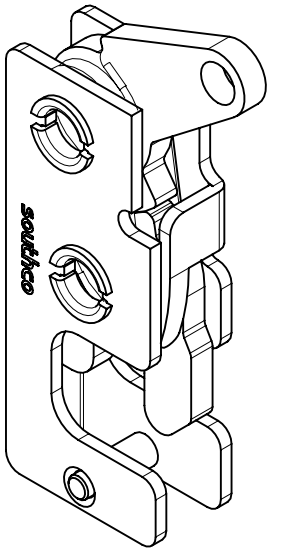
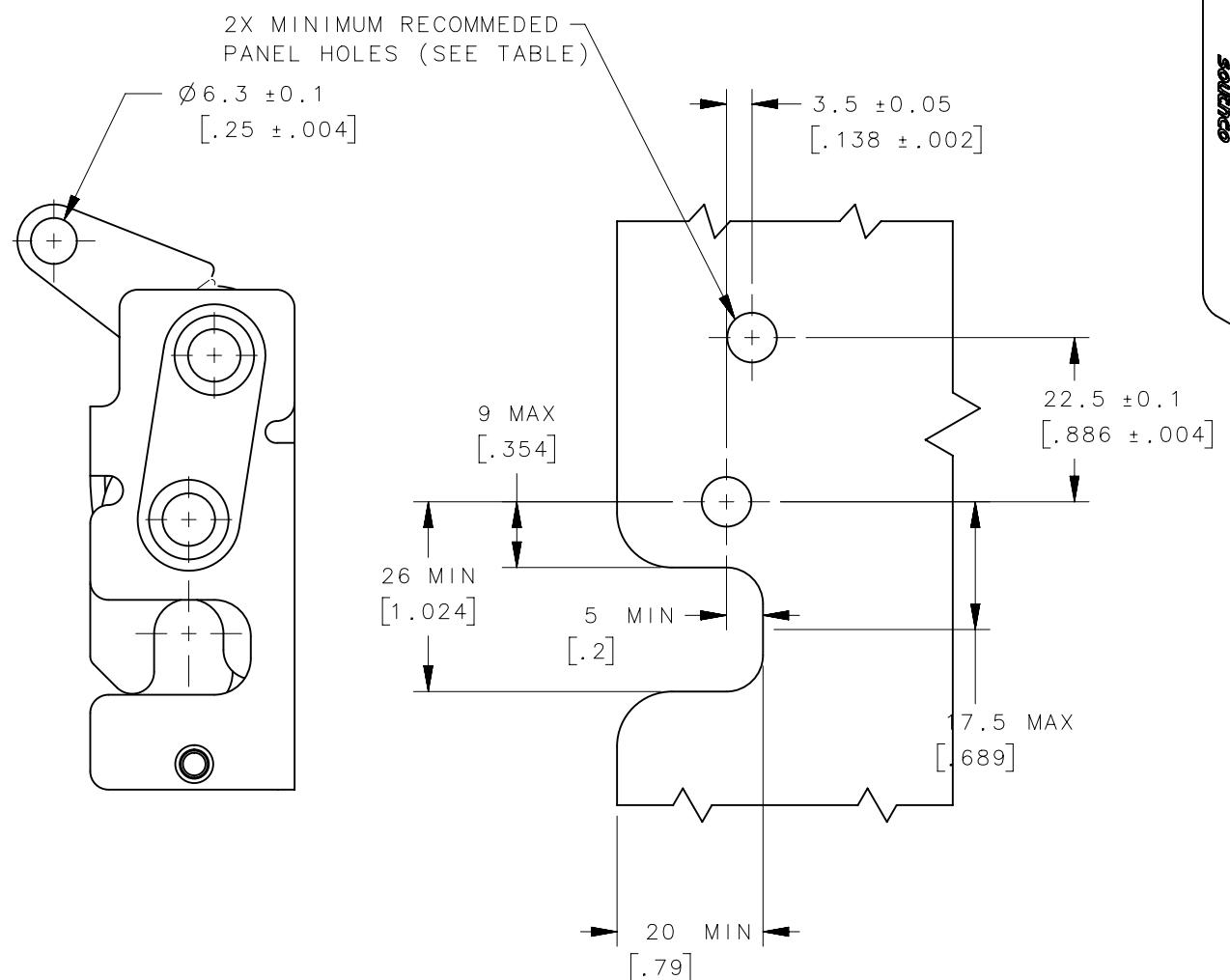
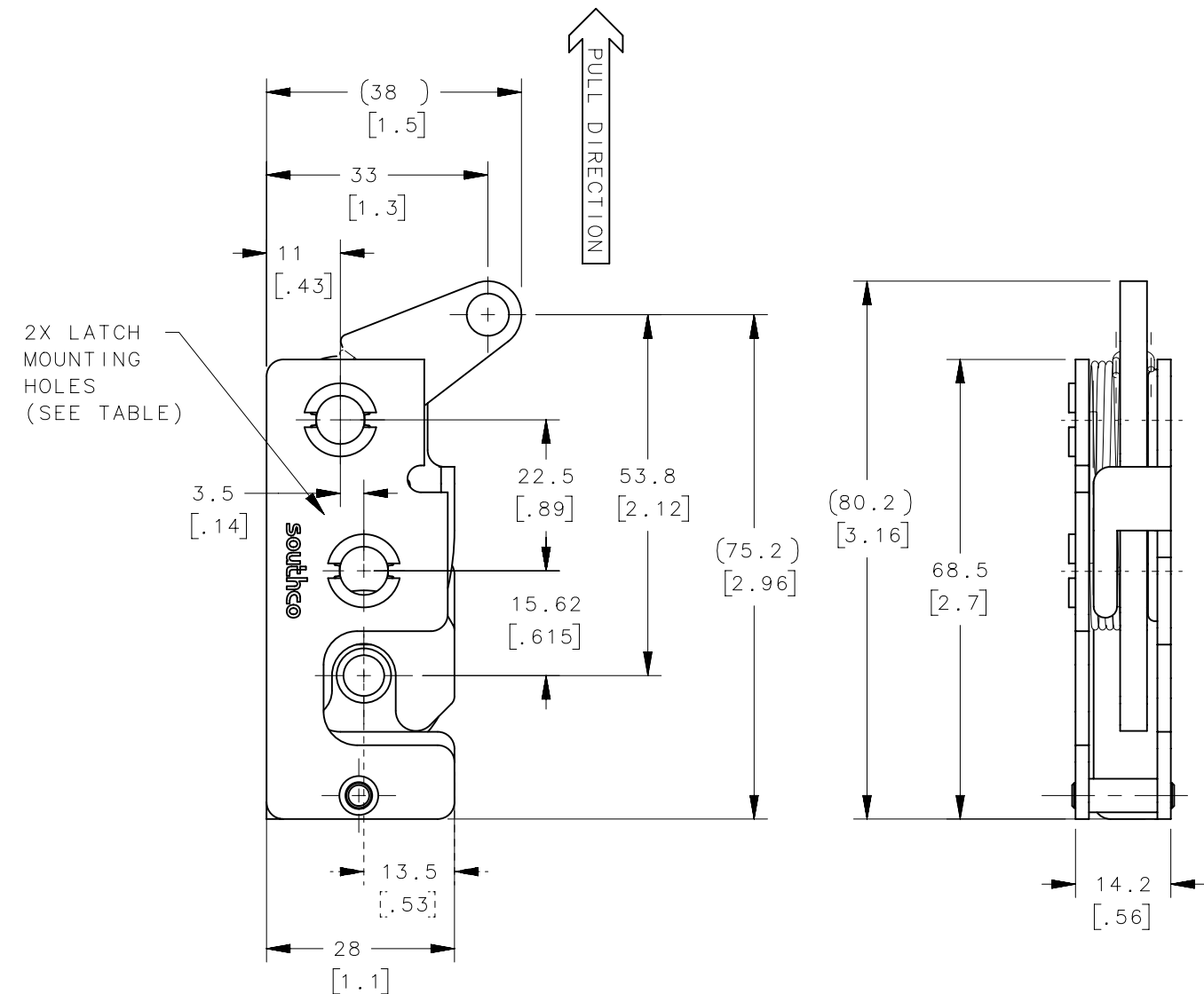
4

3

2

1

REVISION HISTORY			
REV	DATE	BY	DESCRIPTION
C	27JAN2014	ACH/ASM	PRN: P2014-0306



NOTES:

A. MATERIAL AND FINISH:

- HOUSING, LEVER AND INTERNAL COMPONENTS:
MATERIAL - STEEL
-10 ZINC PLATED, BRIGHT CHROMATE
-77 ZINC NICKEL, BRIGHT CHROMATE
- PAWL AND TRIGGER:
MATERIAL - HARDENED STEEL
-10 ZINC PLATED, BRIGHT CHROMATE
-77 ZINC NICKEL, BRIGHT CHROMATE
ZINC PLATE CHROMATE.
- SPRING: STAINLESS STEEL, PASSIVATED

B. THESE DIMENSIONS REQUIRED FOR MOUNTING STRIKER BOLT.

R4-10-40-401-77	$\varnothing 7.2\text{mm}$ THRU	SEE NOTE A	SEE NOTE A	
R4-10-41-401-77	1/4-20 THREAD	SEE NOTE A	SEE NOTE A	
R4-10-42-401-77	M6 THREAD	SEE NOTE A	SEE NOTE A	
R4-10-40-401-10	$\varnothing 7.2\text{mm}$ THRU	SEE NOTE A	SEE NOTE A	
R4-10-41-401-10	1/4-20 THREAD	SEE NOTE A	SEE NOTE A	
R4-10-42-401-10	M6 THREAD	SEE NOTE A	SEE NOTE A	
ASSEMBLY PART NUMBER	LATCH MOUNTING HOLE	MATERIAL	FINISH	GENERAL NOTES

THIRD ANGLE PROJECTION				southco [®] CONNECT • CREATE • INNOVATE	
MILLIMETERS [IN]					
SURFACE AREA	TOLERANCES UNLESS OTHERWISE NOTED	DESCRIPTION R4-10 2-STAGE MINI ROTARY LATCH WITH TRIGGER HOLE - LEFT HAND			
VOLUME	ALL DIMENSIONS WITHOUT TOLERANCES ARE FOR REFERENCE ONLY.	SIZE B	SYSTEM NX	DWG NO. J-R4-10-40-601	
PROPRIETARY ITEM	PER ASME Y14.5M-1994	DRAWN BY DJK	DATE 26APR2012	SCALE 1:1	SHEET 1 OF 3
<small>EXCEPT FOR USES EXPRESSLY GRANTED IN WRITING, INFORMATION DISCLOSED HEREON IS CONFIDENTIAL AND ALL RIGHTS, PATENT AND OTHERWISE, ARE RESERVED BY SOUTHCO, INC.</small>					

6

5

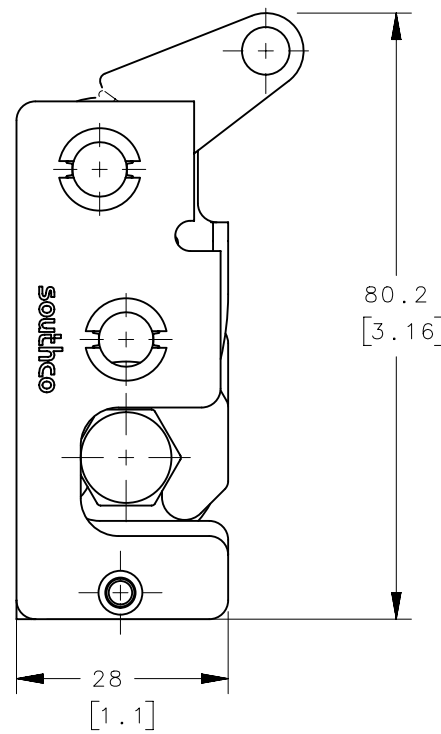
4

3

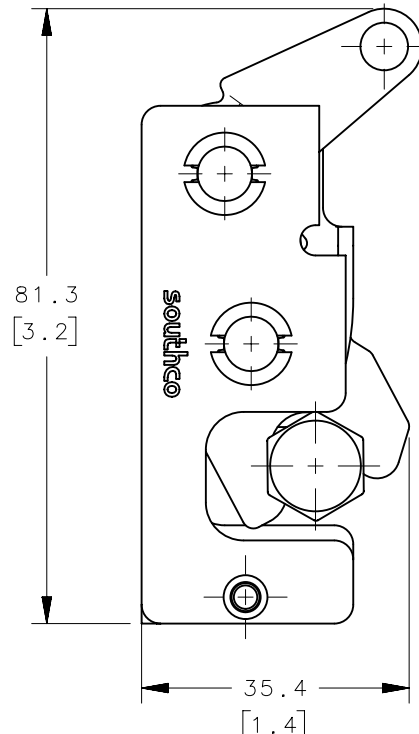
2

1

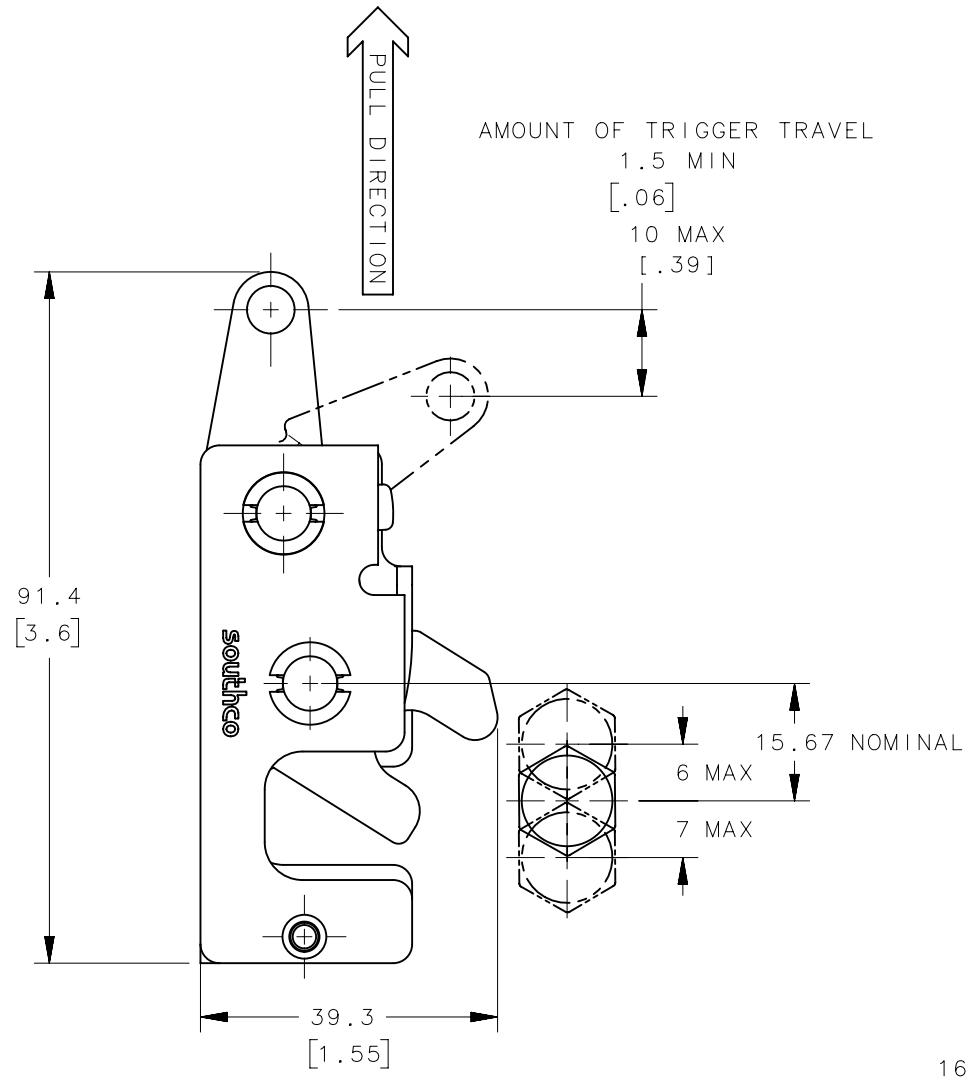
REVISION HISTORY			
REV	DATE	BY	DESCRIPTION
C	27JAN2014	ACH/ASM	PRN: P2014-0306



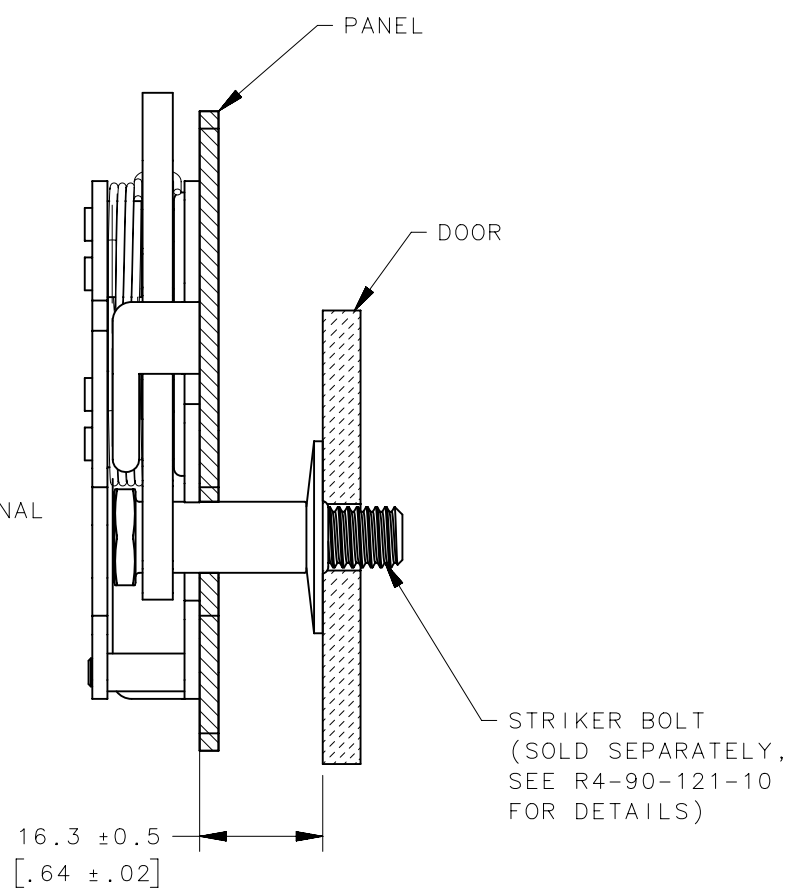
LATCHED STAGE



SECONDARY STAGE



MISALIGNMENT VIEW
(SEE NOTE B)
PRIMARY STAGE



- NOTES:
- A. THE TOLERANCE BETWEEN THE LATCH AND STRIKER BOLT ASSUMES A NON-RIGID DOOR INSTALLATION THAT WILL ALLOW THE DOOR TO MOVE INTO THE NOMINAL POSITION DURING LATCHING. RIGID DOORS MUST HAVE THE STRIKER INSTALLED PER THE PANEL PREPARATION RECOMMENDATION.
 - B. THE MISALIGNMENT VIEW ASSUMES THE LATCH IS CONNECTED TO A PERFECTLY RIGID DOOR AND HINGE; THEREFORE, THERE IS NO DOOR AND/OR HINGE SLACK ASSOCIATED WITH THESE DIMENSIONS. THE MISALIGNMENT VIEW DOES NOT TAKE FLEXING OF THE STRIKER BOLT INTO ACCOUNT.

R4-10-40-601-77	Ø 7.2mm THRU	Ø 7.6 [.299]	
R4-10-41-601-77	1/4-20 THREAD	Ø 6.8 [.268]	
R4-10-42-601-77	M6 THREAD	Ø 6.4 [.252]	
R4-10-40-601-10	Ø 7.2mm THRU	Ø 7.6 [.299]	
R4-10-41-601-10	1/4-20 THREAD	Ø 6.8 [.268]	
R4-10-42-601-10	M6 THREAD	Ø 6.4 [.252]	
ASSEMBLY PART NUMBER	LATCH MOUNTING HOLE	MINIMUM RECOMMENDED PANEL HOLE	GENERAL NOTES

THIRD ANGLE PROJECTION			
MILLIMETERS [IN]			
TOLERANCES UNLESS OTHERWISE NOTED	southco CONNECT • CREATE • INNOVATE		
ALL DIMENSIONS WITHOUT TOLERANCES ARE FOR REFERENCE ONLY.	DESCRIPTION R4-10 2-STAGE MINI ROTARY LATCH WITH TRIGGER HOLE - LEFT HAND		
PER ASME Y14.5M-1994	SIZE B	SYSTEM NX	DWG NO. J-R4-10-40-601
EXCEPT FOR USES EXPRESSLY GRANTED IN WRITING, INFORMATION DISCLOSED HEREON IS CONFIDENTIAL AND ALL RIGHTS, PATENT AND OTHERWISE, ARE RESERVED BY SOUTHCO, INC.	DRAWN BY DJK	DATE 26APR2012	SCALE 1:1
			SHEET 2 OF 3

6

5

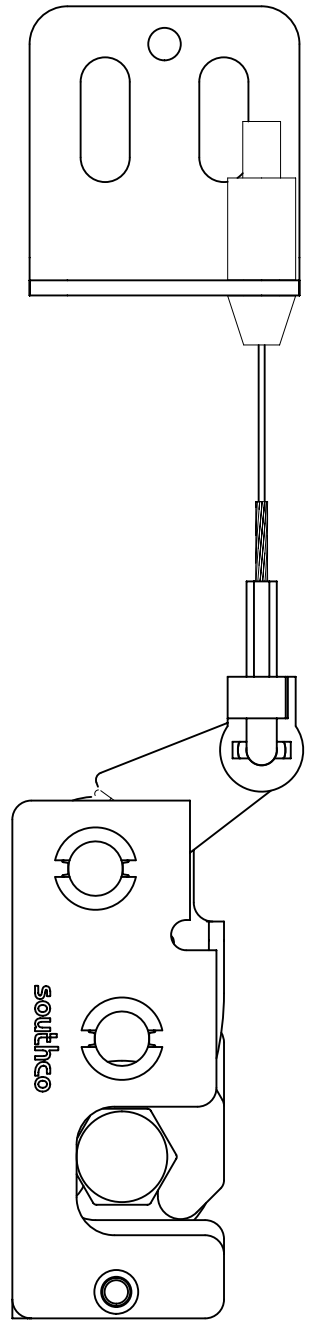
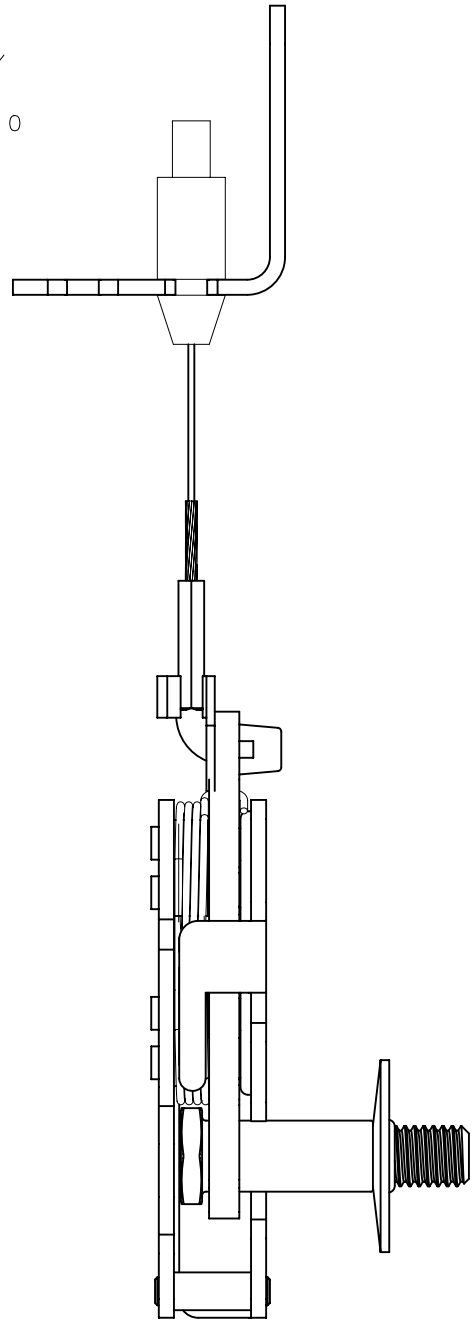
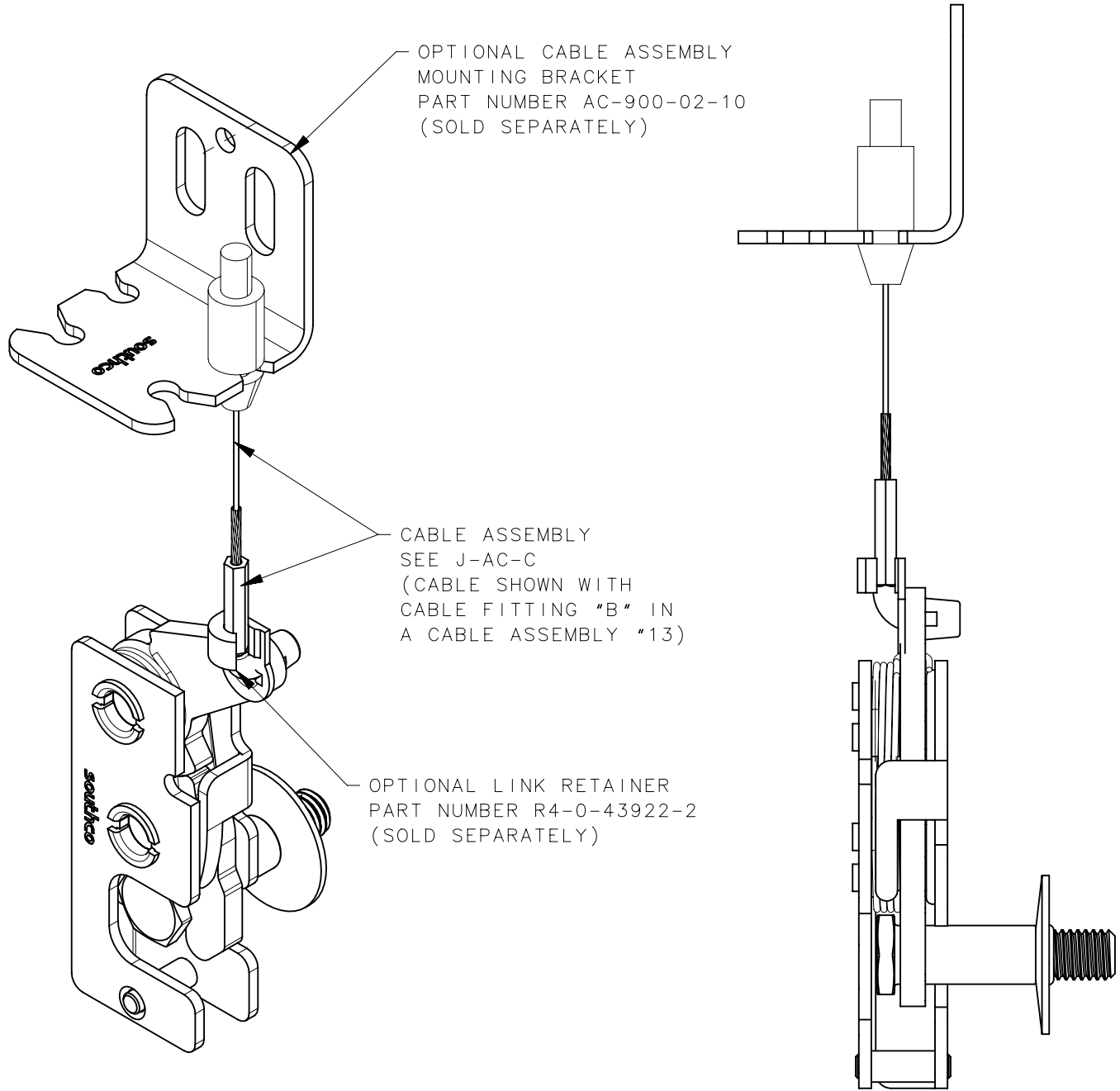
4

3

2

1

REVISION HISTORY			
REV	DATE	BY	DESCRIPTION
C	27JAN2014	ASH/ASM	PRN: P2014-0306



ASSEMBLY R4-10-40-601-10 SHOWN

R4-10-40-401-77	Ø 7.2mm THRU	SEE NOTE A	SEE NOTE A	
R4-10-41-401-77	1/4-20 THREAD	SEE NOTE A	SEE NOTE A	
R4-10-42-401-77	M6 THREAD	SEE NOTE A	SEE NOTE A	
R4-10-40-401-10	Ø 7.2mm THRU	SEE NOTE A	SEE NOTE A	
R4-10-41-401-10	1/4-20 THREAD	SEE NOTE A	SEE NOTE A	
R4-10-42-401-10	M6 THREAD	SEE NOTE A	SEE NOTE A	
ASSEMBLY PART NUMBER	LATCH MOUNTING HOLE	MATERIAL	FINISH	GENERAL NOTES

THIRD ANGLE PROJECTION				 CONNECT • CREATE • INNOVATE	
MILLIMETERS [IN]					
SURFACE AREA	TOLERANCES UNLESS OTHERWISE NOTED ALL DIMENSIONS WITHOUT TOLERANCES ARE FOR REFERENCE ONLY.			DESCRIPTION R4-10 2-STAGE MINI ROTARY LATCH WITH TRIGGER HOLE - LEFT HAND	
VOLUME					
PROPRIETARY ITEM	PER ASME Y14.5M-1994	SIZE B	SYSTEM NX	DWG NO. J-R4-10-40-601	
EXCEPT FOR USES EXPRESSLY GRANTED IN WRITING, INFORMATION DISCLOSED HEREON IS CONFIDENTIAL AND ALL RIGHTS, PATENT AND OTHERWISE, ARE RESERVED BY SOUTHCO, INC.	PER ASME Y14.5M-1994	DRAWN BY DJK	DATE 26APR2012	SCALE 1:1	SHEET 3 OF 3

6

5

4

3

2

1