



H3-EM Modular Electronic Swinghandle

Modular Access Control Options

Single or multi-point latching

- Remote lock and unlock
- Momentary or continuous lock actuation
- Local monitoring with multi-color LED indicator
- Lock status outputs for remote monitoring
- Industry standard 25x150mm panel prep - kits for other panel preps available
- Integral key lock for manual over-ride
- Combine with easy install modular Reader (See EA-P5-30XXX RFID Card Readers.

Material & Finish

Glass-filled nylon (UL94-V0), Black and PC/ABS (UL94-V0), Black Shaft, Rotation Limiter: Zinc alloy, zinc plated and chromate

Electronic Swinghandle

Recommended operating voltage:

12VDC to 24 VDC

Typical operating current:

less than 200mA at 12VDC

Peak/stall operating current: 1 Amp

Standby current: 50mA max Output

signal: 100 mA max load

To Order:

1 Select required Electronic Swinghandle part number using selection guide.

2 Select card reader (EA-P5-30XXX)

3 Select cam part number using cam part number table

4 For multi-point applications, select optional gear box/rod adapters or actuator plates

5 Select optional wire harness

6 Select mechanical override keys.

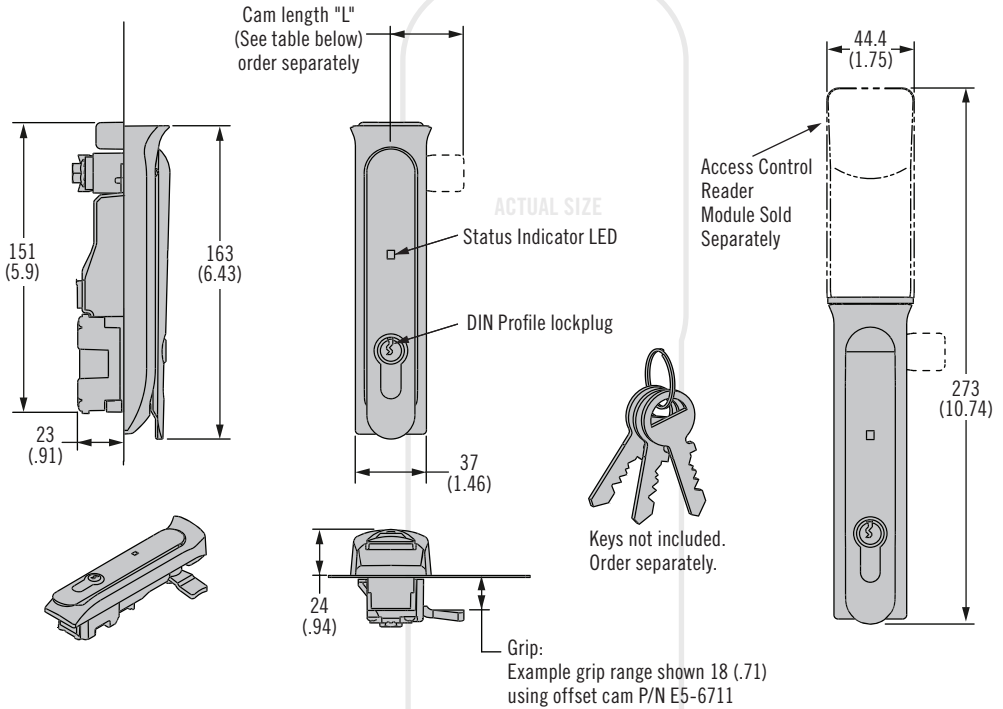
P/N: PK-99-198-01 For HS DIN Lock

P/N: PK-10-01 for CH-751

P/N: PK-10-01-KR001

Contact Southco for details on access control options

www.southco.com/H3-EM



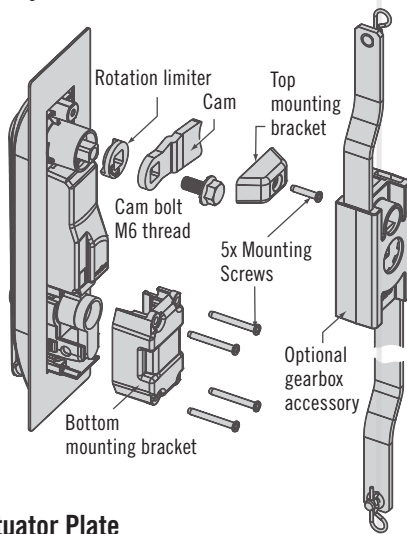
Part Number Selection

H3 - EM - 70000 - LLL

LLL Lock style

- | | |
|---------------------------------------|--|
| 000 No lock or keys | 100 High security DIN lock |
| 001 Blank lockplug: Bright Chrome | 200 Key code CH751 |
| 003 Blank lockplug: Black powder coat | 300 Key code RS001 (Multiple RS key codes available) |

Rod Systems



Cam Part Number (Order separately)		
Grip	Short Cam L=38 (1.5)	Long Cam L=45 (1.77)
15.5 (.61)	E5-6710	-
17.5 (.69)	E5-6711	-
19.5 (.77)	E5-6712	E5-6112
21.5 (.85)	E5-6713	E5-6113
23.5 (.93)	E5-6714	E5-6114

Other additional offsets:
 (1) See Southco Drawings J-E5-67-A & J-E5-67-B
 (2) See Southco Drawings J-E5-61-A & J-E5-61-B

Rod System Part Numbers (order separately)†	
H3-61-55-33	Left Hand Gearbox (CCW to open)
H3-61-56-33	Right Hand Gearbox (CW to open)
A5-90-105-11	Actuator Plate

Actuator Plate



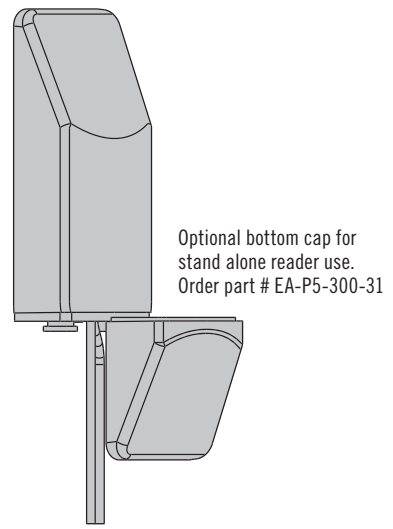
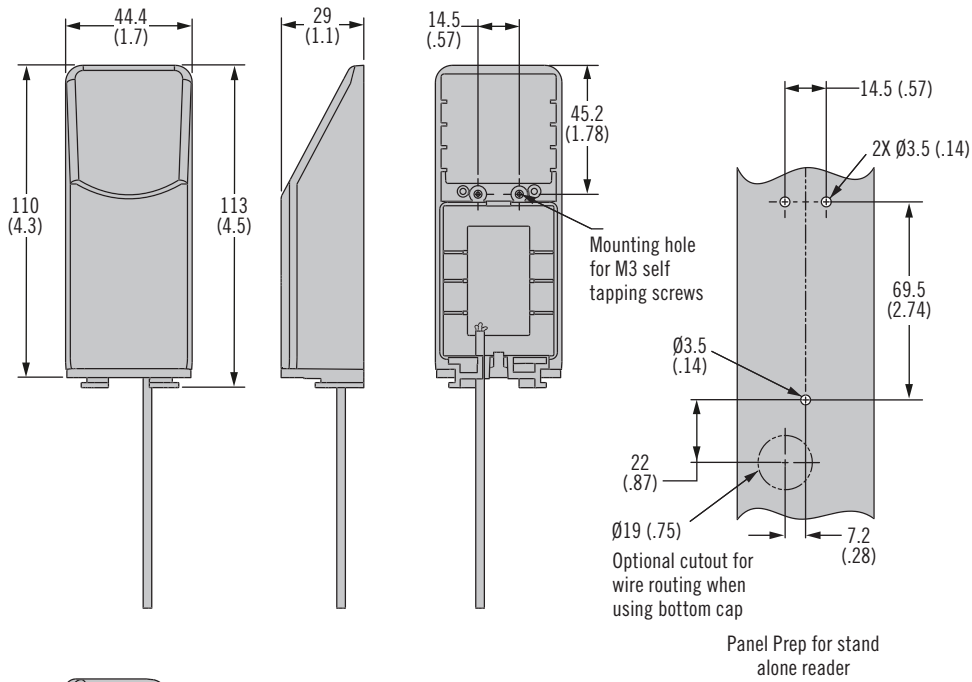
† For multi-point systems, select either the right or left hand gear box part number and rod adaptor (2 per door) part numbers or the actuator plate part number from table, then visit www.southco.com/A5 for rod selection.

Dimensions in millimeters (inch) unless otherwise stated

Dual Frequency Reader
Now Available

H3-EM Modular Access Control Readers

Meet evolving security requirements



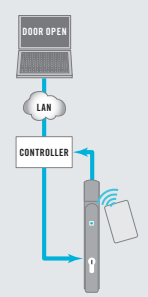
- Readers recognize existing employee 125kHz or 13.56 MHz RFID cards
- Readers interchangeable and all fit H3-EM Modular Swinghandles.
- Order separately from Swinghandle

12V
24V

Card Reader Module
Supply Voltage: 12 VDC to 24 VDC
EA-P5-30200 Series Only at 12 VDC +/-10%
Operating Current: 200mA Max

Material & Finish
Glass-filled nylon (UL94-V0), Black, Polycarbonate, Clear Screws: Steel, zinc plated

Notes
*See specific Reader drawings at southco.com for compatible card types
**MIFARE, MIFARE Classic, MIFARE Plus, and MIFARE DESfire are trademarks of NXP B.V.
***HID iClass is a registered trademark of HID Global



EA - P5 - 30 R 00

Modular Electronic Swinghandle
Sold Separately

R Compatible Card Type Default ^{†**}							Output
PACS = Physical Access Control System UID = Unique Identifier CSN = Card Serial Number							
R	MIFARE® Classic 4k	MIFARE Plus® 2k	MIFARE® DESFire® 4k	HID® iCLASS	HID® 125kHz Prox	EM 125kHz Prox	Wiegand
2	UID	UID	UID	UID	CSN		✓
6	UID	UID	UID	UID			✓
8					CSN		✓



Card Part Numbers
EA-C2-021-9 (HID® 125kHz card, 26bit, 1.8 (0.07) thick)**
EA-C3-101-9 (MIFARE® Classic 1k card, 4B CSN, 0.8 (0.03) thick)**