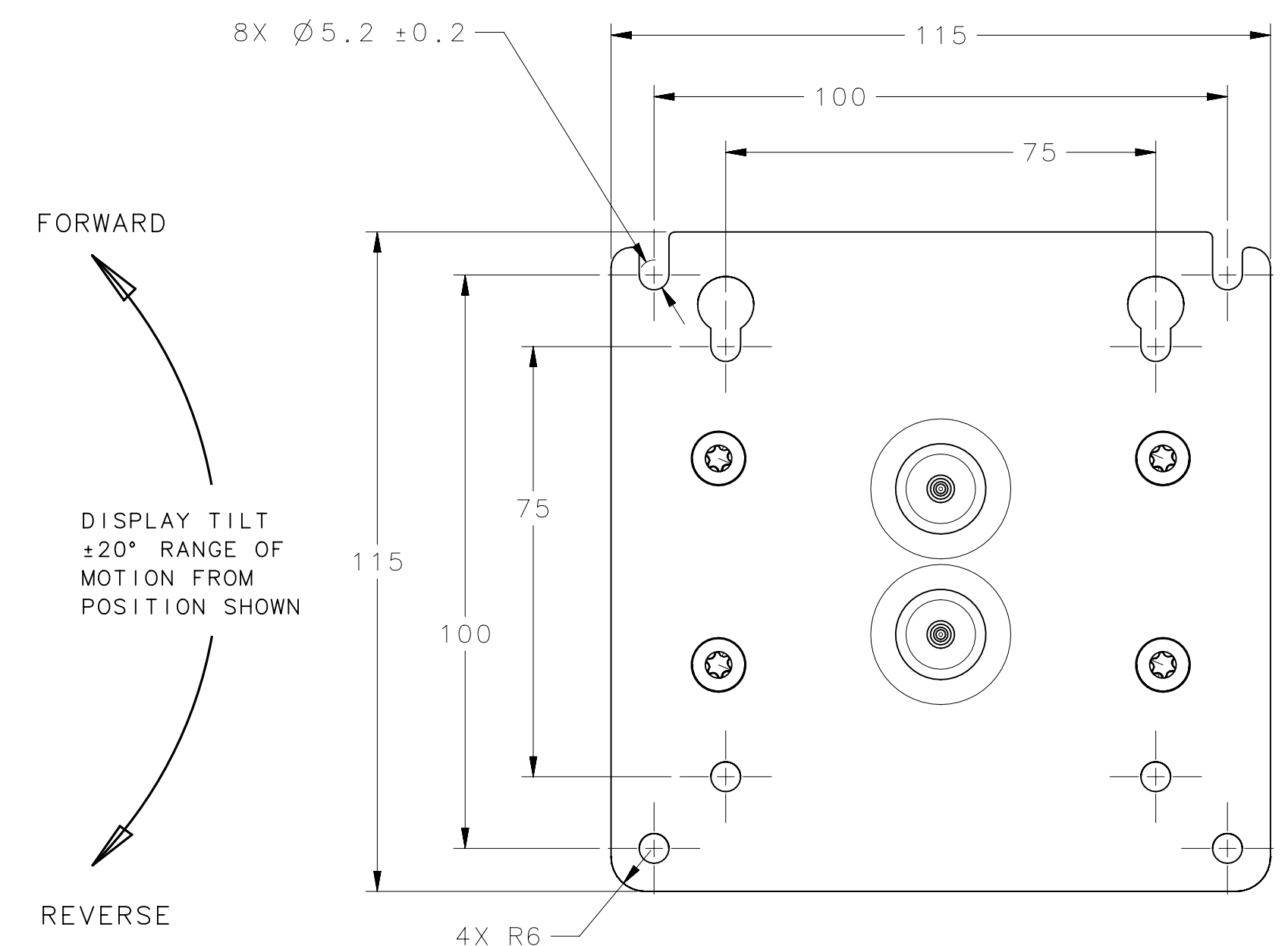
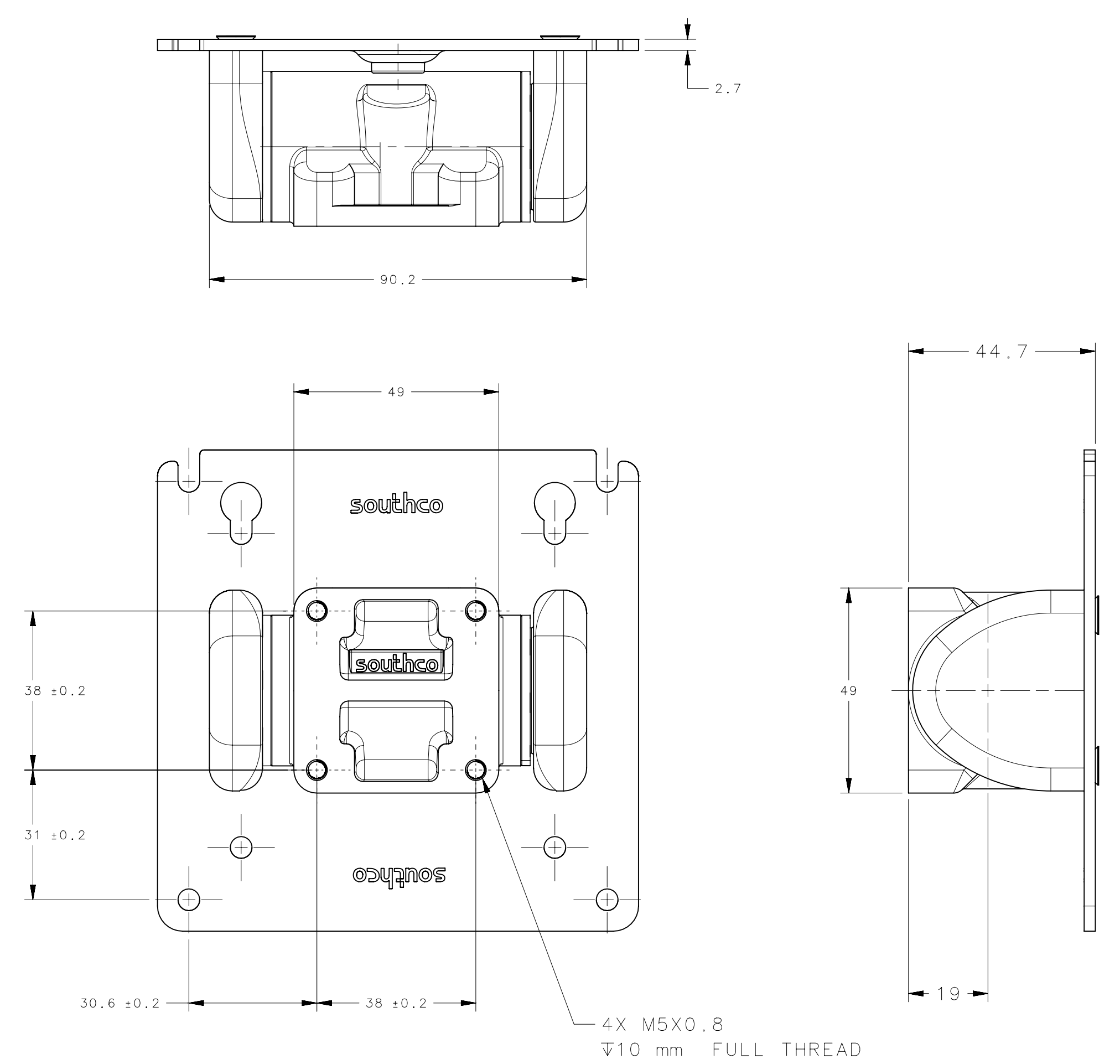
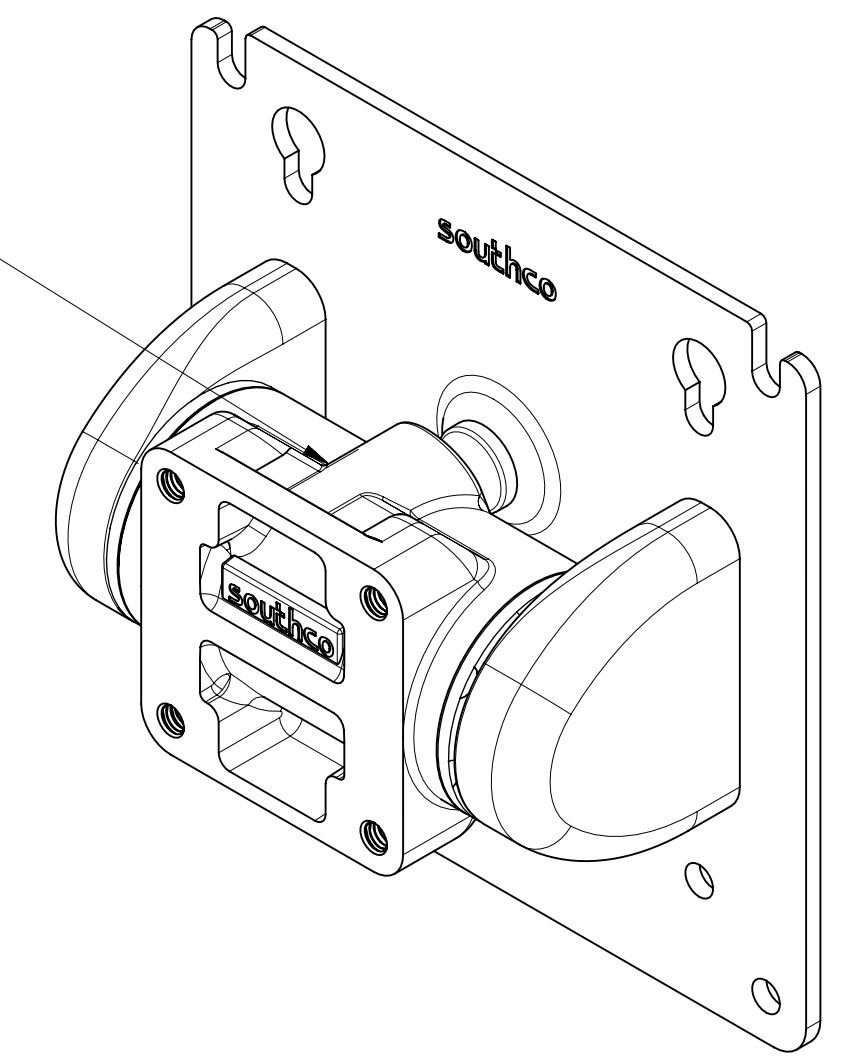


REVISION HISTORY			
REV	DATE	BY	DESCRIPTION
F	04JAN2023	PBJ/VK	PRN: P2023-0044



NOTCHED AREA OF HOUSING MUST BE ON TOP WHEN MOUNTING DISPLAY VERTICAL AS SHOWN.



ISOMETRIC VIEW

NOTES:

- FINISH: SOUTHCO BLACK POWDER COAT PER S-93-02, OR OFFICE WHITE POWDER COAT PER S-93-14. EXTERIOR SURFACES: CLASS "C" PER SOUTHCO SPECIFICATION S-121.
- PART SHOWN IN ASSEMBLED POSITION. ASSEMBLY PACKAGED 10 OR 1 PER CONTAINER. THE TILT PLATE IS SHIPPED IN THE -20 DEGREE REARWARD MOST POSITION. THE M5 MOUNTING HARDWARE IS NOT SUPPLIED.
- TILT ASSEMBLY SYSTEM AXIS MOTION AS INDICATED: FORWARD 20° AND 20° REARWARD DISPLAY TILT
- TORQUE SPECIFICATIONS AT A CYCLE LIFE OF 20,000 AT 25% DUTY CYCLE AT SPEEDS LESS THAN 15 RPM:

DISPLAY TILT TORQUE TOLERANCE: ±20% IN THE REVERSE DIRECTION

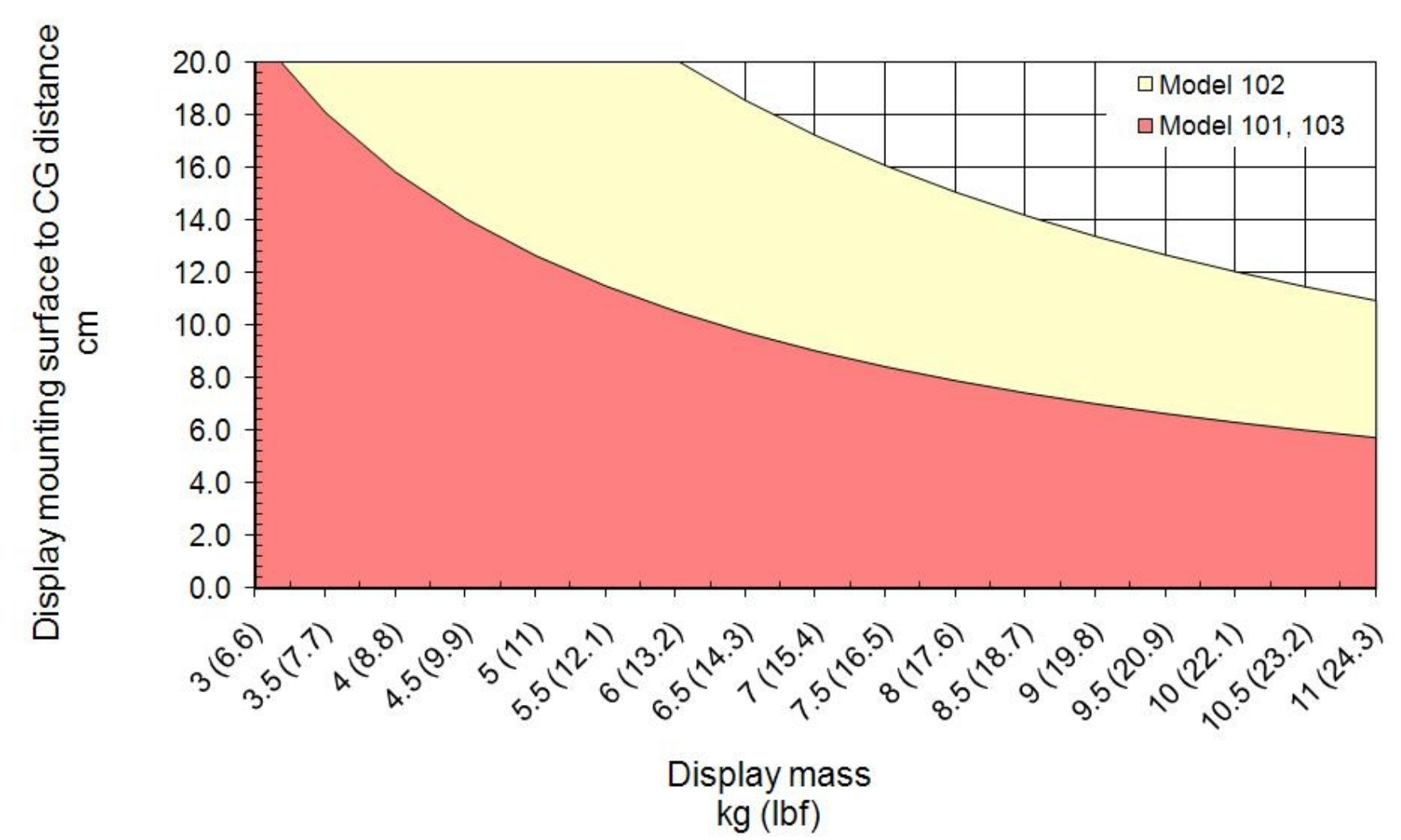
(NOTE: TILT FORWARD AND TILT REARWARD TORQUE MEASURED WITH THE DISPLAY IN THE VERTICAL (0°) POSITION. THE TILT TORQUE AT THE REARWARD TILT POSITION AND FORWARD TILT POSITION VARIES WITH THE COUNTERBALANCE.

SEE TABLE FOR DETAIL OF ACTUAL TORQUE AND FORCE SPECIFICATIONS

THE TILT SYSTEM SHALL WITHSTAND 20,000 CYCLES FOR THE TILT FUNCTION WHILE MAINTAINING TORQUES SPECIFIED ABOVE.

- ASSEMBLY 3D MODEL IS WITHOUT FINISH APPLIED TO SURFACES. POWDER COATING THICKNESS IS NOMINAL 0.2±0.1 mm.
- DISPLAY MOUNTING PLATE TO HOUSING ANGULAR FREE PLAY TO BE 1.5° MAXIMUM.

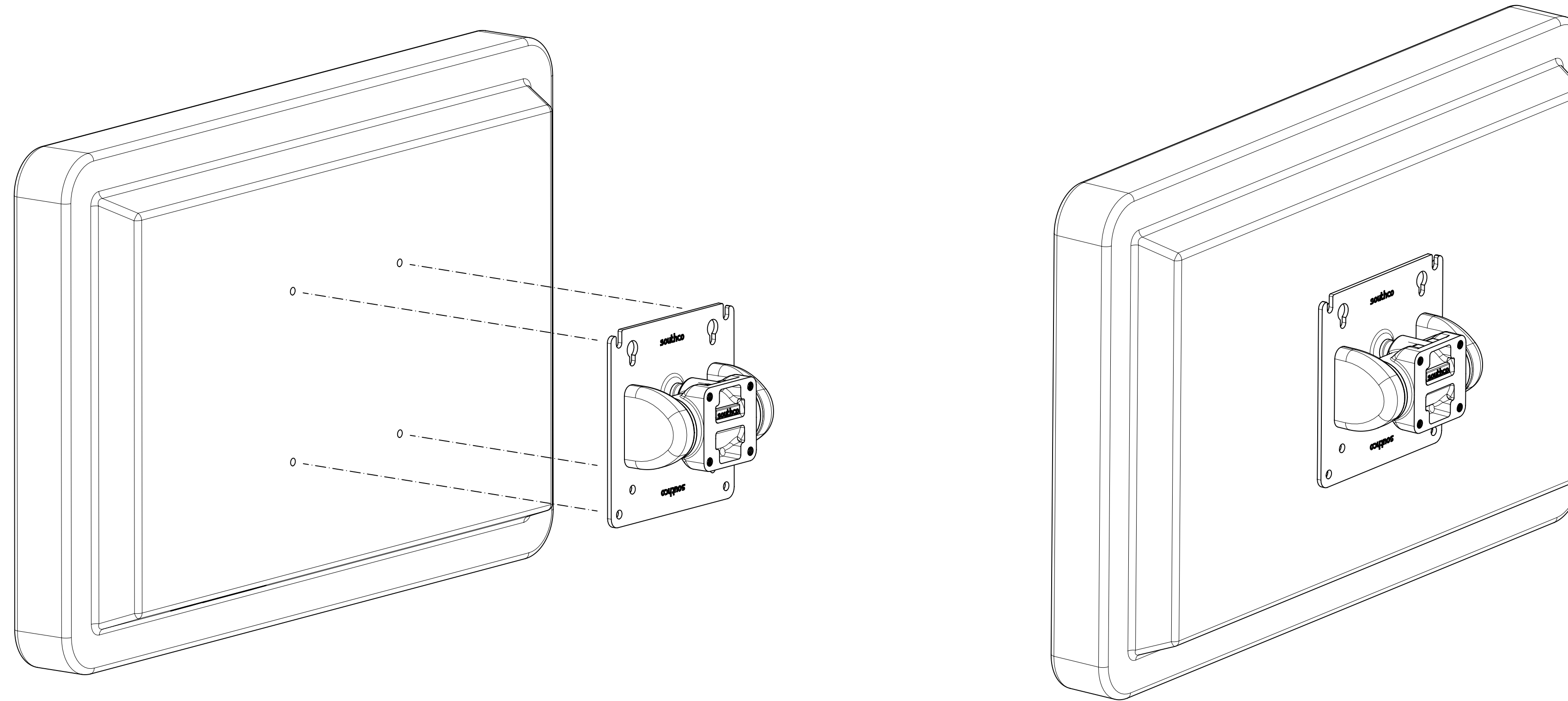
PART NUMBER	MAXIMUM DISPLAY WEIGHT kg (lbm)	REARWARD TILT TORQUE N*m (lbf*in)	FORWARD TILT TORQUE N*m (lbf*in) (REFERENCE)	COLOR
AV-D30-5T101-50	7.48 (16.5)	7.90 (70)	2.2 (19.5)	BLACK
AV-D30-5T101-76	7.48 (16.5)	7.90 (70)	2.2 (19.5)	OFFICE WHITE
AV-D30-5T102-50	14.9 (33)	15.36 (136)	2.26 (20)	BLACK
AV-D30-5T102-76	14.9 (33)	15.36 (136)	2.26 (20)	OFFICE WHITE
AV-D30-5T103-50	14.9 (33)	8.58 (76)	6.01 (53.2)	BLACK
AV-D30-5T103-76	14.9 (33)	8.58 (76)	6.01 (53.2)	OFFICE WHITE



THIRD ANGLE PROJECTION		<b>southco</b> CONNECT · CREATE · INNOVATE	
MASS 0.625 kg	MILLIMETERS [IN]	DESCRIPTION HINGE & CONTROLLED MOTION DEVICE STANDARD TILT ASSEMBLY	
SURFACE AREA	TOLERANCES UNLESS OTHERWISE NOTED	SIZE D	SYSTEM NX
VOLUME	ALL DIMENSIONS WITHOUT TOLERANCES ARE FOR REFERENCE ONLY.	DWG NO. J-AV-D30-5T101	
PROPRIETARY ITEM EXCEPT FOR USES EXPRESSLY GRANTED HEREON IS CONFIDENTIAL AND ALL RIGHTS, PATENTS AND OTHERS ARE RESERVED BY SOUTHCO, INC.	PER ASME Y14.5M-1994	DRAWN BY GEA	DATE 30AUG2010
		SCALE 1:1	SHEET 1 OF 2

REVISION HISTORY			
REV	DATE	BY	DESCRIPTION
F	04JAN2023	PBJ/VK	PRN: P2023-0044

# DISPLAY MOUNTING



### DISPLAY INSTALLTION:

1. ATTACH DISPLAY TO SOUTHCO TILT ASSEMBLY USING SCREWS PROVIDED WITH DSIPLAY.
2. ATTACH SOUTHCO TILT ASSEMBLY USING 4 EACH M5 X 0.8 SCREWS (NOT SUPPLIED).

NOTE: THREAD DEPTH IN SOUTHCO TILT HOUSING IS 10 mm.

	THIRD ANGLE PROJECTION	<b>southco</b> CONNECT • CREATE • INNOVATE
	MILLIMETERS [IN]	
SURFACE AREA	TOLERANCES UNLESS OTHERWISE NOTED	DESCRIPTION HINGE & CONTROLLED MOTION DEVICE STANDARD TILT ASSEMBLY
VOLUME	ALL DIMENSIONS WITHOUT TOLERANCES ARE FOR REFERENCE ONLY.	
PROPRIETARY ITEM <small>EXCEPT FOR USES EXPRESSLY GRANTED IN WRITING, INFORMATION DISCLOSED HEREON IS CONFIDENTIAL AND ALL RIGHTS, PATENT AND OTHERWISE, ARE RESERVED BY SOUTHCO, INC.</small>	PER ASME Y14.5M-1994	SIZE D SYSTEM NX DWG NO. J-AV-D30-5T101
	DRAWN BY GEA	DATE 8JUL2010 SCALE 1:1 SHEET 2 OF 2