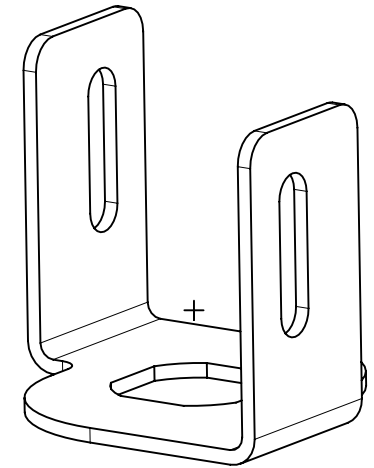
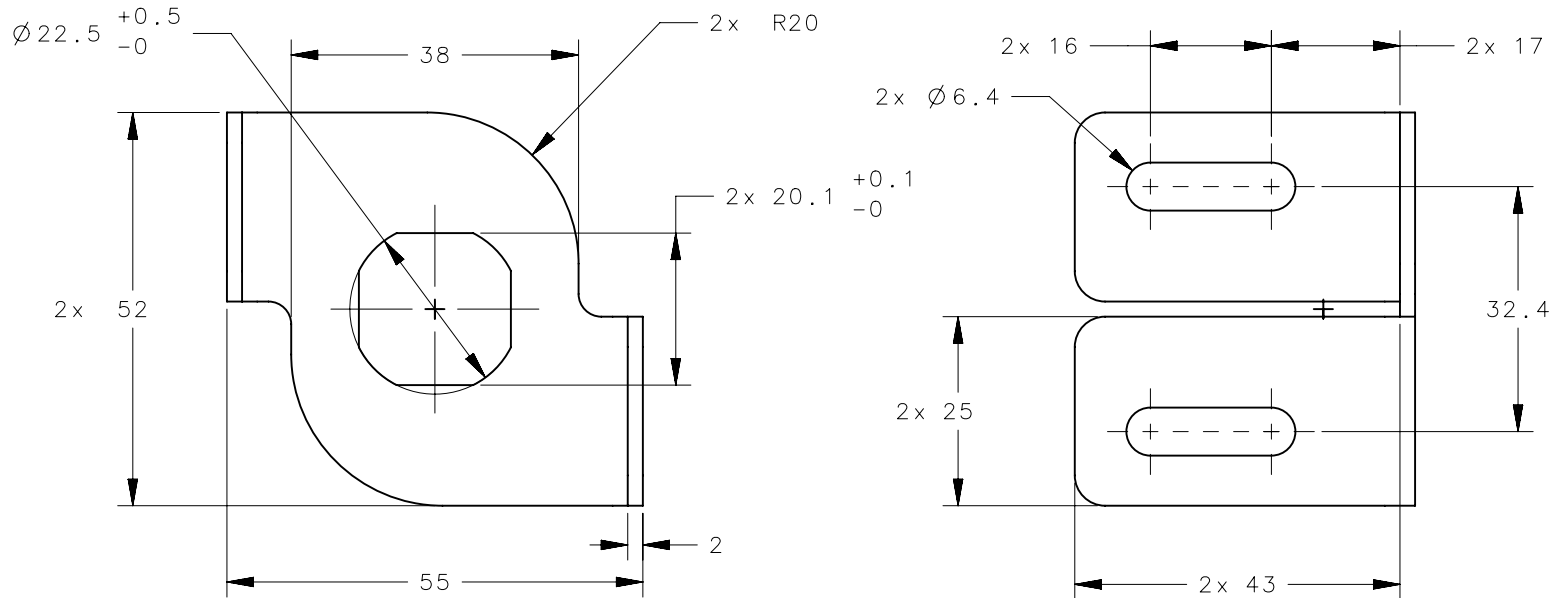


NOTES:

1. RoHS COMPLIANT.
2. COSMETIC SPECIFICATION:
 ALL SURFACES UNLESS OTHERWISE NOTED ARE TO CONFORM TO A CLASS "C"
 DESIGNATION AS DESCRIBED IN SOUTHCO COSMETIC SPECIFICATION:
 S-121-02 FOR ZINC PLATED PARTS

REVISION HISTORY			
REV	DATE	BY	DESCRIPTION
A	18MAY2010	MJS/CLB	PRN: P2010-0487



AC-0-49617-11-L	BRACKET	STEEL	ZINC PLATE, TRIVALENT CHROMATE
SOUTHCO PART NUMBER	TYPE OF COMPONENT	MATERIAL	FINISH

THIRD ANGLE PROJECTION		 CONNECT • CREATE • INNOVATE			
MILLIMETERS [IN]					
SURFACE AREA 8401.9 mm ²		DESCRIPTION BRACKET, LEFT HAND, MECHANICAL OVERRIDE CABLE, E5			
VOLUME 7347.3 mm ³					
PROPRIETARY ITEM <small>EXCEPT FOR USES EXPRESSLY GRANTED IN WRITING, INFORMATION DISCLOSED HEREON IS CONFIDENTIAL AND ALL RIGHTS, PATENT AND OTHERWISE, ARE RESERVED BY SOUTHCO, INC.</small>		TOLERANCES UNLESS OTHERWISE NOTED ALL DIMENSIONS WITHOUT TOLERANCES ARE FOR REFERENCE ONLY	SIZE A4	SYSTEM NX	DWG NO. J-AC-0-49617-11-L
PER ASME Y14.5M-1994		DRAWN BY IR/	DATE 11 JAN 10	SCALE 1:1	SHEET 1 OF 1