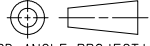
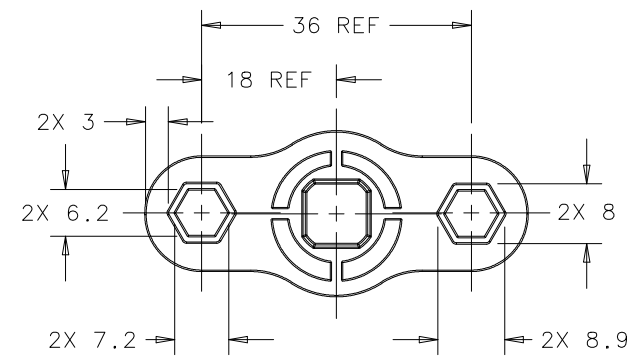
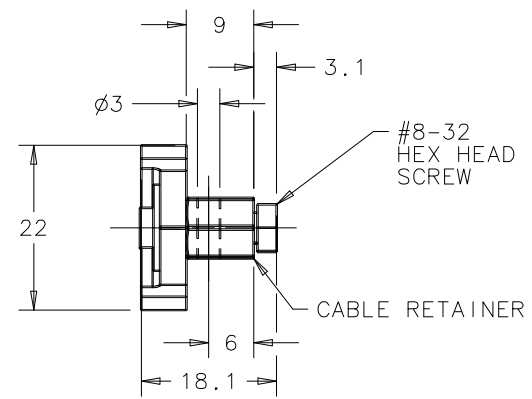
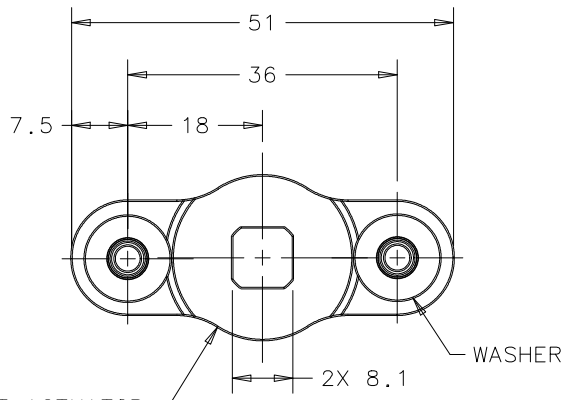
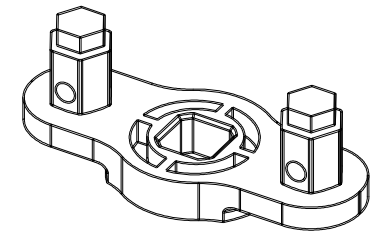


| REV | DATE | DRAWN/CHKD | DESCRIPTION | PART NUMBER | ITEM | MATERIAL | FINISH |
|-----|-----------|------------|-----------------|-------------|---------------------|----------|---------------------|
| A | 06OCT2010 | ACH | INITIAL RELEASE | A5-99-136 | ASSEMBLY | - | - |
| | | | | - | A5 2 POINT ACTUATOR | ZAMAK | NATURAL |
| | | | | - | CABLE RETAINER | STEEL | ZINC PLATE CHROMATE |
| | | | | - | WASHER | STEEL | ZINC PLATE CHROMATE |
| | | | | - | HEX HEAD SCREW | STEEL | ZINC PLATE CHROMATE |

MILLIMETERS

TOLERANCES UNLESS OTHERWISE NOTED
ALL DIMENSIONS WITHOUT TOLERANCES ARE FOR REFERENCE ONLY.

THIRD ANGLE PROJECTION  A4 PAPER SIZE



A5 2 POINT ACTUATOR