

6

5

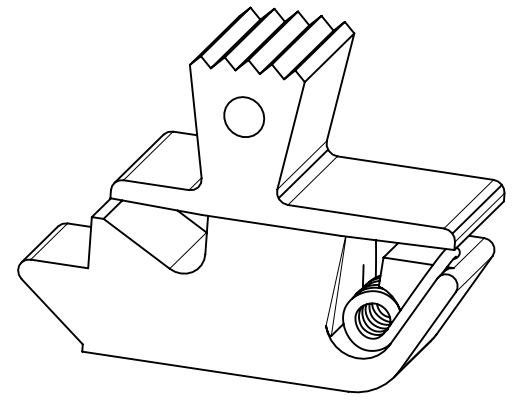
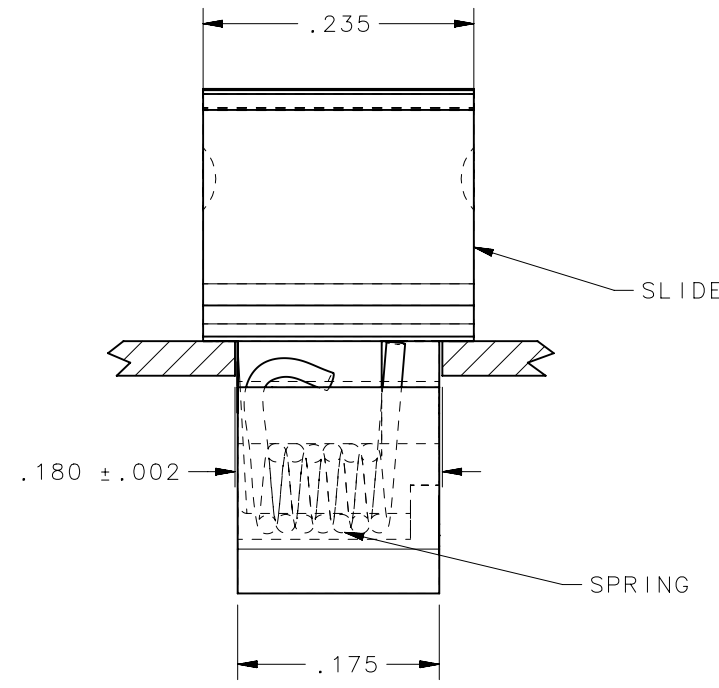
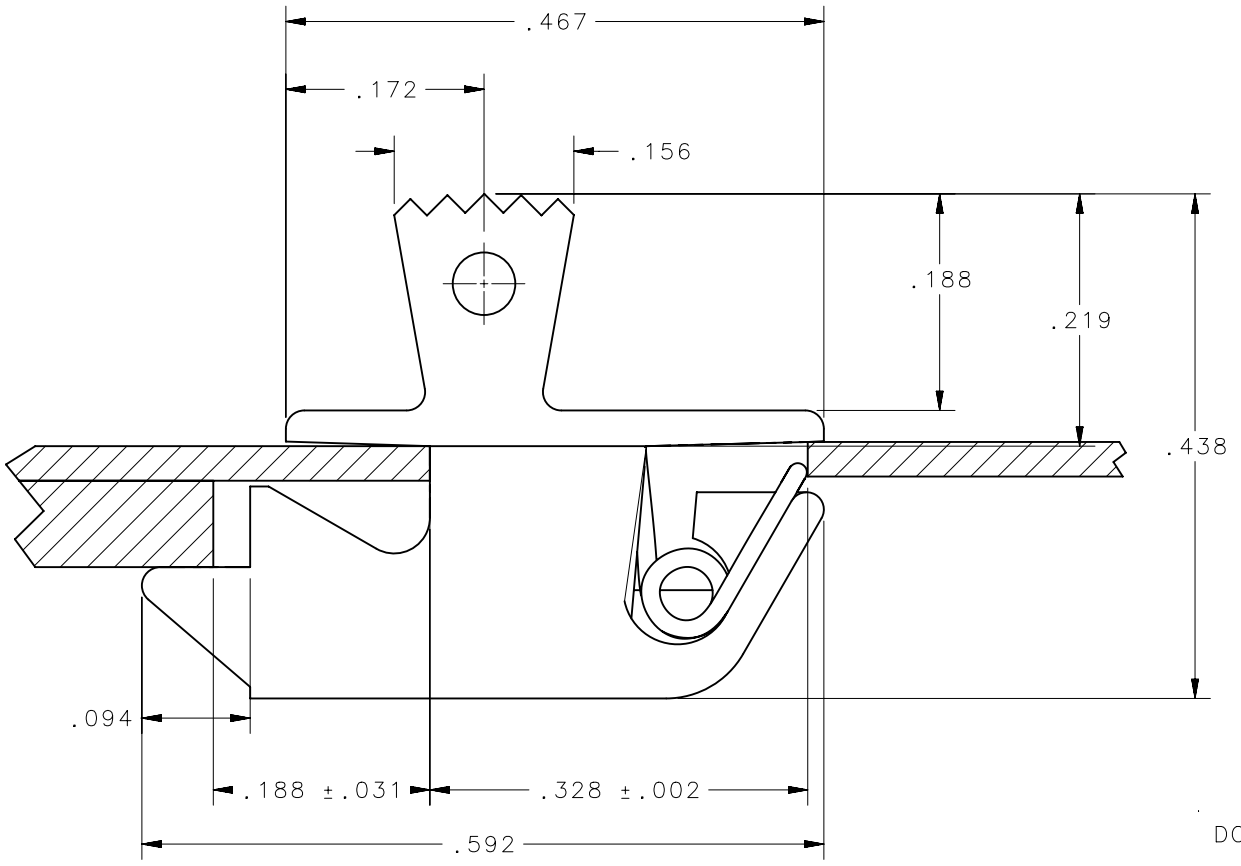
4

3

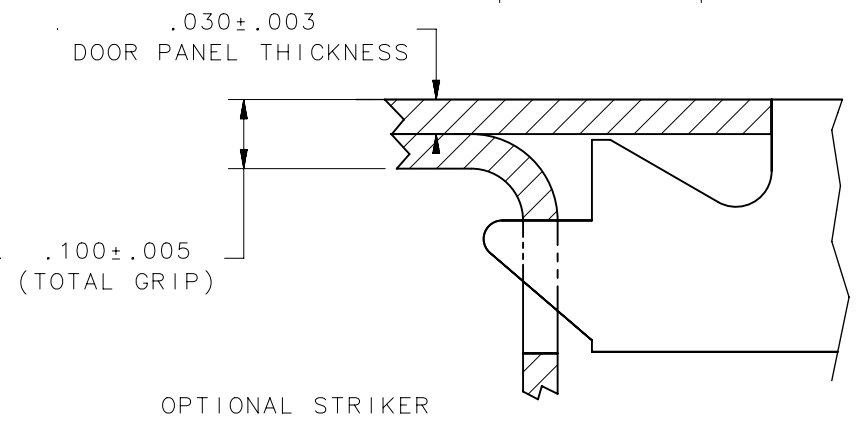
2

1

REVISION HISTORY			
REV	DATE	BY	DESCRIPTION
F	23MAY2018	SPD/VK	PRN: P2018-1282



SCALE 4:1



OPTIONAL STRIKER

- NOTES:
1. INSTALLATION: SLIDE THE FRONT OF THE LATCH INTO THE PREPARED HOLE. THEN SNAP THE BACK INTO POSITION.
 2. ALL MATERIALS COMPLY WITH RoHS DIRECTIVE

NO	SOUTHCO PART NUMBER	QTY	TYPE OF COMPONENT	MATERIAL	FINISH
2	-	1	SPRING	302 STAINLESS STEEL	PASSIVATED
1	-	1	SLIDE	ACETAL COPOLYMER	BLACK
-	A3-10-310-12	-	SLIDE LATCH LATCH	-	-

THIRD ANGLE PROJECTION			
INCHES [MM]			
SURFACE AREA		TOLERANCES UNLESS OTHERWISE NOTED	
VOLUME		ALL DIMENSIONS WITHOUT TOLERANCES ARE FOR REFERENCE ONLY.	
PROPRIETARY ITEM <small>EXCEPT FOR USES EXPRESSLY GRANTED IN WRITING, INFORMATION DISCLOSED HEREON IS CONFIDENTIAL AND ALL RIGHTS, PATENT AND OTHERWISE, ARE RESERVED BY SOUTHCO, INC.</small>		SIZE B	SYSTEM NX
PER ASME Y14.5M-1994		DWG NO. J-A3-10	SCALE 6:1
		DRAWN BY VBS/RHB	DATE 12MAR1973
		SHEET 1 OF 1	

6

5

4

3

2

1