



SOUTHCO #A1 ADJUSTABLE DRAW CATCH WITH YELLOW VINYL COATING ON HANDLE

DATE	DRAWN	CHKD	SCALE	DRAWING NUMBER
7-20-93	JGK		1:1	J-A1-10-701-20-M

REV.	DATE	BY-CHKD	REVISIONS	ITEM	PART NUMBER	MATERIAL	FINISH
				LATCH ASSEMBLY	A1-10-701-20		
				LATCH	-	SEE NOTE A	RIVET IS NATURAL, ALL OTHERS ZINC PLATE PLUS CHROMATE DIP
				KEEPER	-	1064 STEEL	ZINC PLATE PLUS BRIGHT CHROMATE DIP

TO MOUNT LATCH:

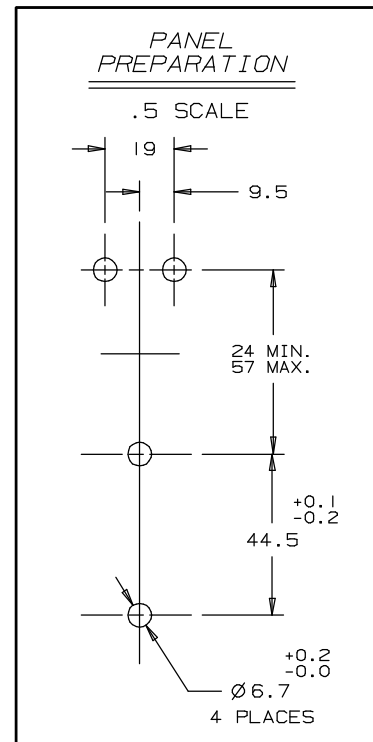
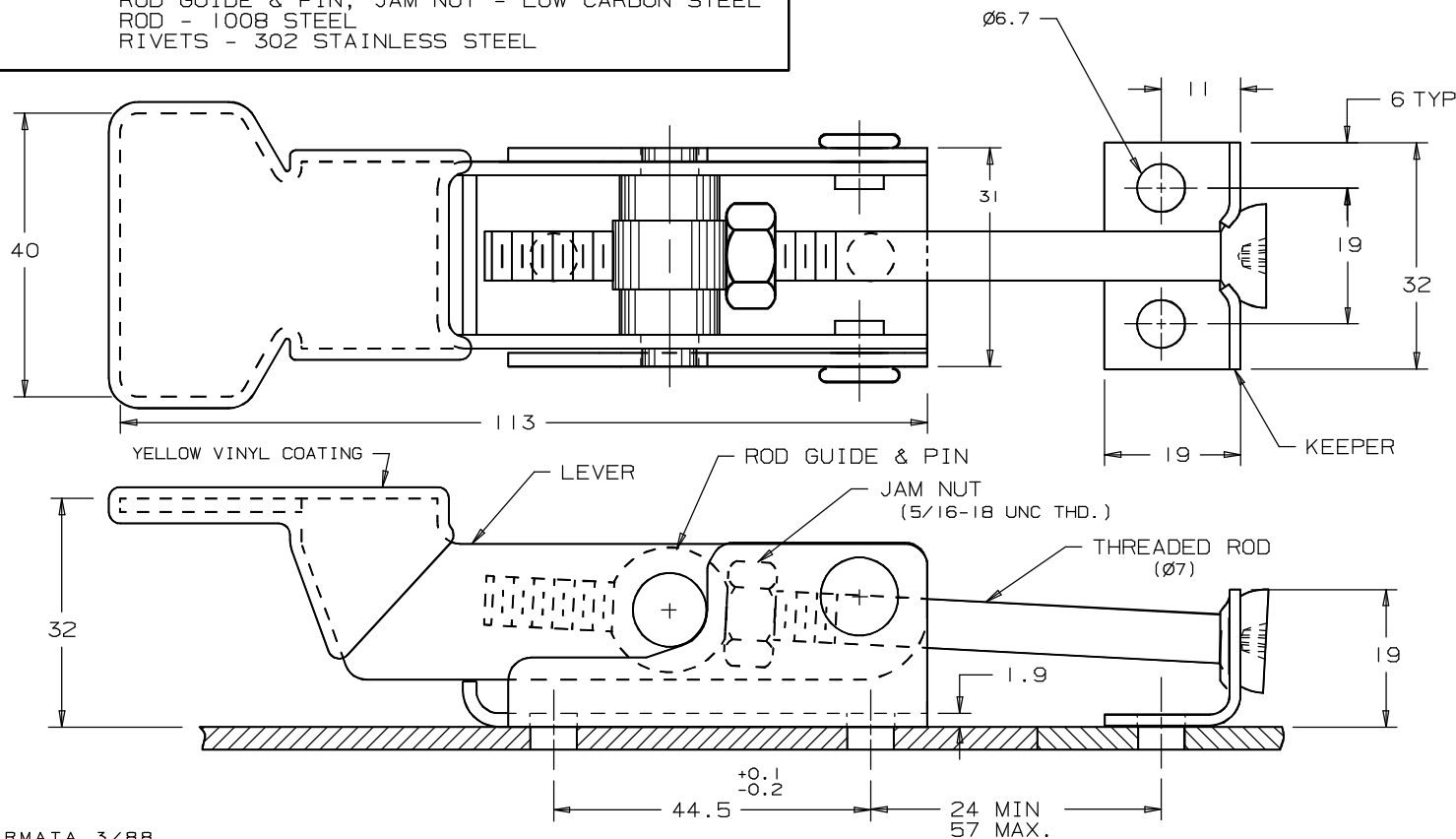
1. CHOOSE DESIRED MOUNTING DISTANCE BETWEEN THE LATCH AND THE KEEPER WITHIN THE RANGE SPECIFIED BELOW.
2. LOCATE YOUR MOUNTING HOLES IN THE DESIRED LOCATIONS WITH RESPECT TO THE EDGE OF THE MOUNTING SURFACES.
3. MOUNT LATCH AND KEEPER USING M6 SCREWS OR RIVETS.

TO ADJUST FOR LATCHING TENSION OR GASKET COMPRESSION:

1. WITH LATCH IN CLOSED POSITION, ADJUST THREADED ROD USING A #2 PHILLIPS SCREW DRIVER TO OBTAIN DESIRED LATCHING TENSION OR GASKET COMPRESSION.
2. OPERATE LATCH THROUGH UNLATCHING AND LATCHING SEQUENCE TO INSURE DESIRED ADJUSTMENT.
3. WITH FASTENER OPENED AND LEVER PERPENDICULAR TO ROD, TIGHTEN JAM NUT AGAINST ROD GUIDE, WHILE USING A PHILLIPS SCREWDRIVER TO PREVENT ROD FROM TURNING, TO LOCK ROD IN POSITION.

NOTES:

- A. BASE, LEVER - 1010 STEEL
 ROD GUIDE & PIN, JAM NUT - LOW CARBON STEEL
 ROD - 1008 STEEL
 RIVETS - 302 STAINLESS STEEL



FORMATA 3/88

PROPRIETARY ITEM - EXCEPT FOR USES EXPRESSLY GRANTED IN WRITING INFORMATION DISCLOSED HEREON IS CONFIDENTIAL AND ALL RIGHTS PATENT AND OTHERWISE ARE RESERVED BY SOUTHCO, INC.

ALL DIMENSIONS ARE IN MILLIMETERS. ALL DIMENSIONS WITHOUT TOLERANCES ARE REFERENCE. THIRD ANGLE PROJECTION DRAWING.

DRAWING NUMBER

J-A1-10-701-20-M