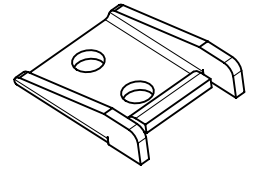
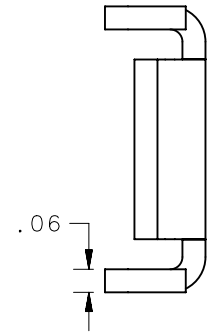
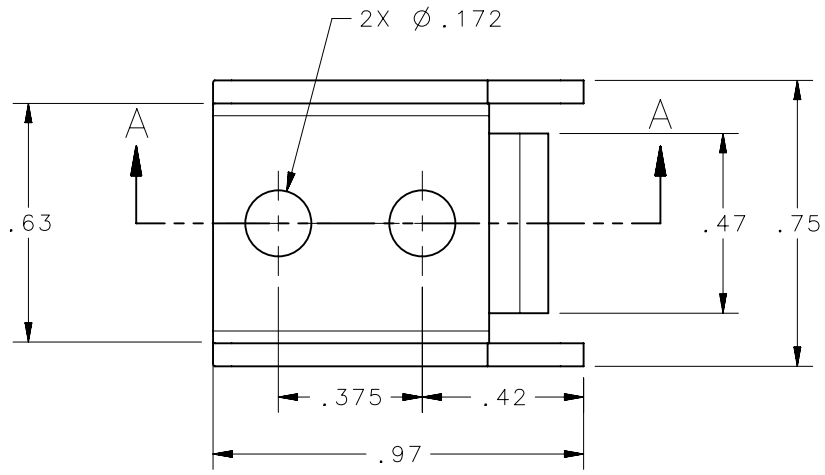
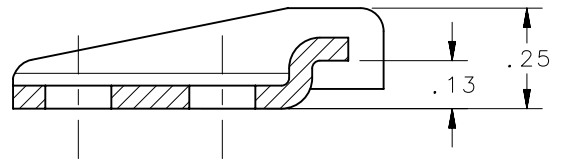


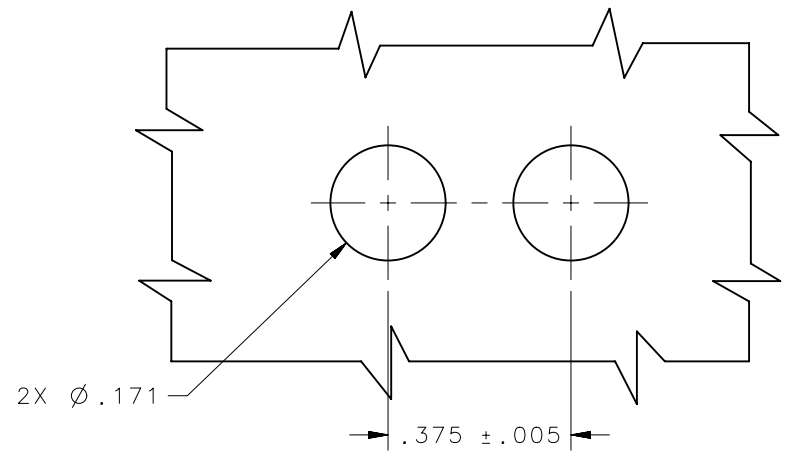
REVISION HISTORY			
REV	DATE	BY	DESCRIPTION
C	22JAN2019	CB1/DMS	PRN: P2019-0167



SCALE 1:1



SECTION A-A



97-57-103-24	KEEPER	STAINLESS STEEL	PASSIVATED
97-57-103-15	KEEPER	HARDENED LOW CARBON STEEL	BLACK POWDER COAT
97-57-103-12	KEEPER	HARDENED LOW CARBON STEEL	NATURAL
97-57-103-11	KEEPER	HARDENED LOW CARBON STEEL	ZINC PLATED, BRIGHT CHROMATE DIP
SOUTHCO PART NUMBER	TYPE OF COMPONENT	MATERIAL	FINISH

CPB NUMBER	-	THIRD ANGLE PROJECTION	
		INCHES [MM]	
SURFACE AREA		TOLERANCES UNLESS OTHERWISE NOTED	
VOLUME		ALL DIMENSIONS WITHOUT TOLERANCES ARE FOR REFERENCE ONLY.	
PROPRIETARY ITEM		PER ASME Y14.5M-1994	
EXCEPT FOR USES EXPRESSLY GRANTED IN WRITING, INFORMATION DISCLOSED HEREON IS CONFIDENTIAL AND ALL RIGHTS, PATENT AND OTHERWISE, ARE RESERVED BY SOUTHCO, INC.			

<b>southco</b> <sup>®</sup>			
CONNECT • CREATE • INNOVATE			
DESCRIPTION			
NO.97 KEEPER			
SIZE	SYSTEM	DWG NO.	
A	NX	J-97-57-103	
DRAWN BY	DATE	SCALE	SHEET
JGK	15JUL1997	2:1	1 OF 1