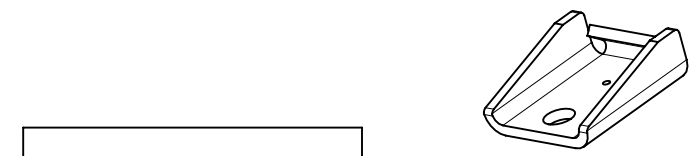
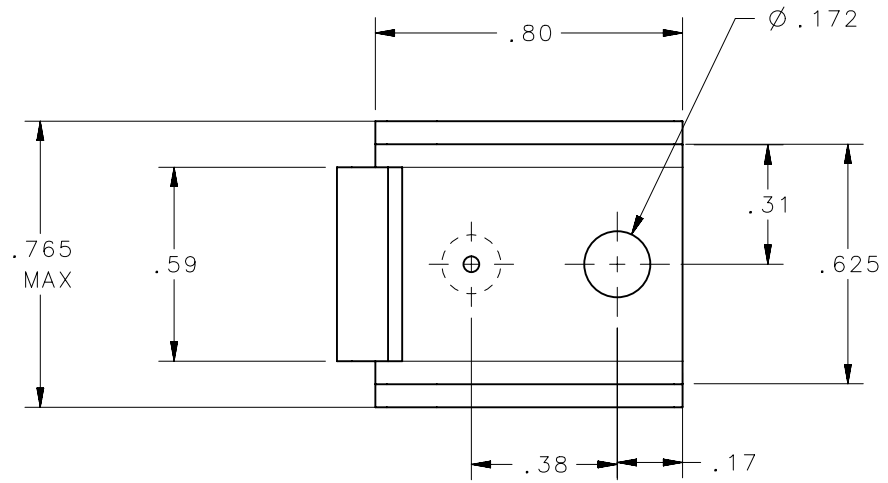
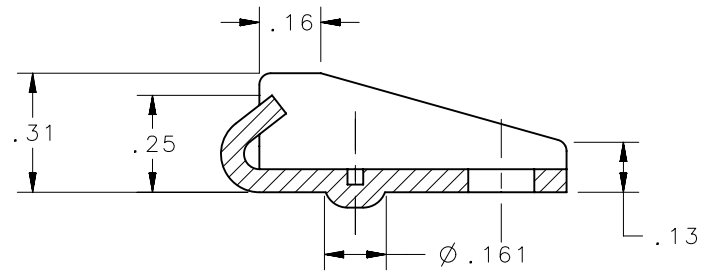
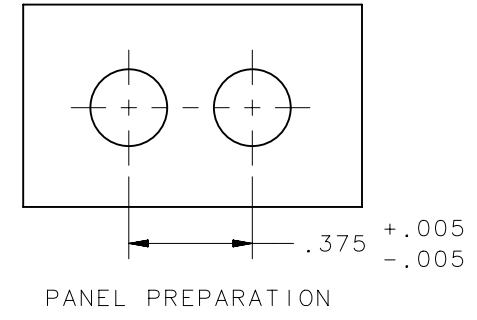


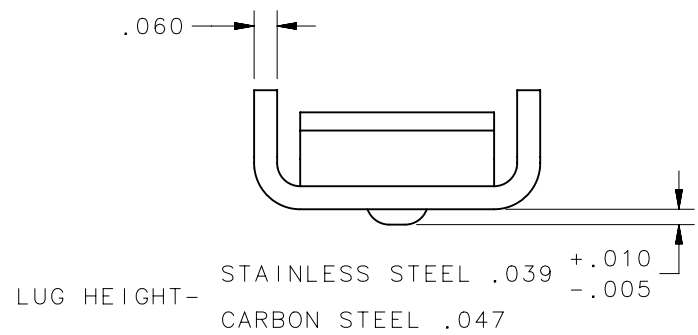
REVISION HISTORY				
REV	DATE	BY	DESCRIPTION	
B	22JAN2019	CB1/DMS	PRN: P2019-0167	



SCALE 1:1



SECTION A-A



97-57-102-24	KEEPER	STAINLESS STEEL	PASSIVATED	NONE
97-57-102-15	KEEPER	STEEL	SEE NOTE B	CASE HARDENED
97-57-102-11	KEEPER	STEEL	SEE NOTE A	CASE HARDENED
SOUTHCO PART NUMBER	TYPE OF COMPONENT	MATERIAL	FINISH	HEAT TREAT

THIRD ANGLE PROJECTION		 CONNECT • CREATE • INNOVATE		
INCHES [MM]				
TOLERANCES UNLESS OTHERWISE NOTED		DESCRIPTION		
ALL DIMENSIONS WITHOUT TOLERANCES ARE FOR REFERENCE ONLY.		NO. 97 KEEPER		
PER ASME Y14.5M-1994		SIZE	SYSTEM	DWG NO.
		A	NX	J-97-57-102-24
		DRAWN BY	DATE	SCALE
		SWD	12DEC1996	2:1
				SHEET 1 OF 1

NOTES :
 A. ZINC PLATE, PLUS BRIGHT CHROME DIP.
 B. BLACK POWDER COAT.

PROPRIETARY ITEM
 EXCEPT FOR USES EXPRESSLY GRANTED IN WRITING, INFORMATION DISCLOSED HEREON IS CONFIDENTIAL AND ALL RIGHTS, PATENT AND OTHERWISE, ARE RESERVED BY SOUTHCO, INC.