



# 01 Cam Latch

Small · Flush handle · Cup style · Adjustable grip

• **Low profile design**

**Material and Finish**

ABS, zinc and steel, zinc plated

**Performance Details**

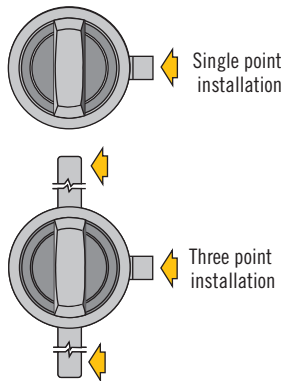
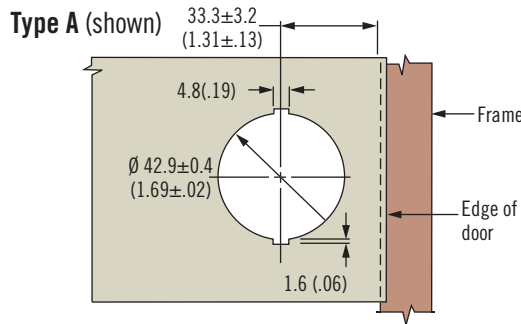
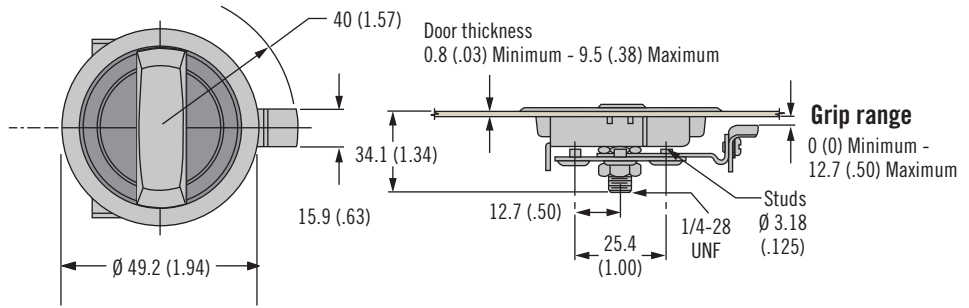
Maximum static load: 160 N (35 lbf)

Flammability rating: UL94-HB

**Notes**

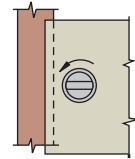
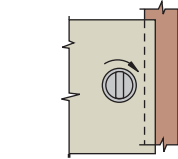
For multi-point latching options see page 208

For fixed grip version see



**Type A Assemblies** (Turn handle clockwise to latch)

**Type B Assemblies** (Turn handle counter-clockwise to latch)



Handle shown **parallel** to edge of door when latched

Handle shown **perpendicular** to edge of door when latched

- Mounted on either type A or B doors.
- Choose horizontal or vertical closed position of handle

**Part Number Selection**

See table



**R** Rotation

- 1 Type B counter-clockwise to latch for **parallel** installation
- 2 Type B counter-clockwise to latch for **perpendicular** installation
- 1 Type A clockwise to latch for **perpendicular** installation
- 2 Type A clockwise to latch for **parallel** installation

Dimensions in millimeters (inch) unless otherwise stated

# 01 Cam Latch

Medium · Flush and bail handle · Cup style · Adjustable grip



• **Low profile design**

**Material and Finish**

ABS, zinc and steel, zinc plated

**Performance Details**

Maximum static load: 220 N (50 lbf)

Flammability rating UL94-HB

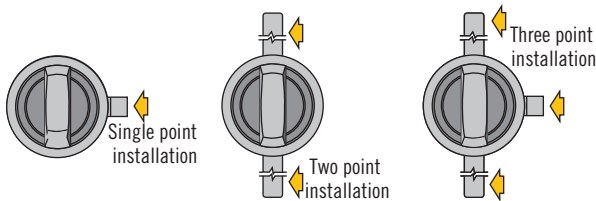
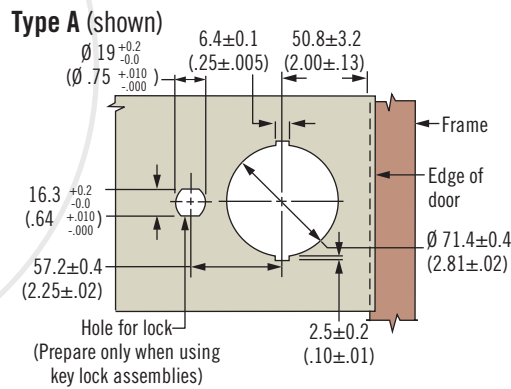
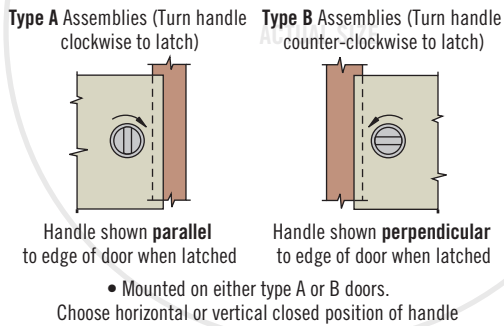
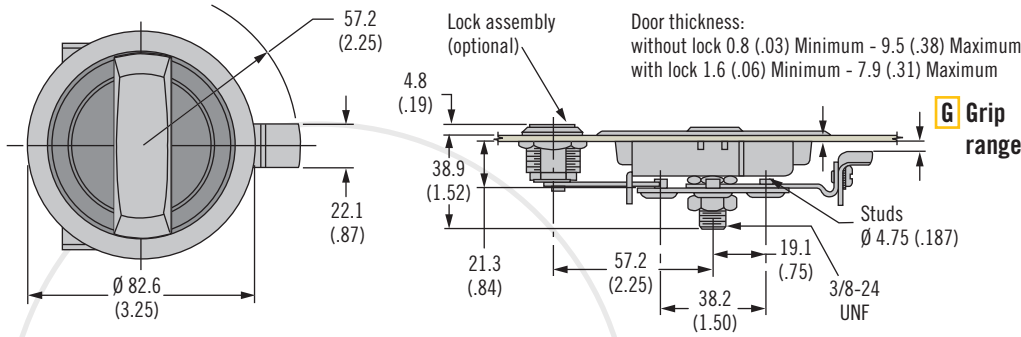
**Keys**

See page 120 and 169-175

**Notes**

For multi-point latching options see page 208

For fixed grip version see page 164



**Part Number Selection**

See table

- L Lock style**
- 1 Non-locking flat handle
  - 2 Non-locking folding bail handle
  - 3 Locking flat handle keyed alike CH751 (two keys supplied)
  - 4 Locking folding bail handle keyed alike CH751 (two keys supplied)

**F Finish**

- 1 Bright chrome
- 5 Black

<b>G Grip</b>	<b>Grip Range</b>	<b>Type A</b>	<b>Type B</b>	<b>Cam Type</b>
1	0 - 12.7 (0 - .50)	Perpendicular	Parallel	Single or three point latching
2	0 - 12.7 (0 - .50)	Parallel	Perpendicular	Single or three point latching
3	12.7 - 28.6 (.50 - 1.13)	Perpendicular	Parallel	Single or three point latching
4	12.7 - 28.6 (.50 - 1.13)	Parallel	Perpendicular	Single or three point latching
5	Two point only	Perpendicular	Parallel	Two point only
6	Two point only	Parallel	Perpendicular	Two point only



Dimensions in millimeters (inch) unless otherwise stated