

southco®

PROPRIETARY ITEM - EXCEPT FOR USES EXPRESSLY GRANTED IN WRITING INFORMATION DISCLOSED HEREON IS CONFIDENTIAL AND ALL RIGHTS PATENT AND OTHERWISE ARE RESERVED BY SOUTHCO, INC.

VIBRATION MOUNT

DATE	DRAWN	CHKD	SCALE	DRAWING NUMBER
1-4-69	JGK	RHB	2:1	J-82-35-306-10

REV	DATE	DRAWN/CHKD	DESCRIPTION	ITEM	PART NO.	MATERIAL	FINISH	WEIGHT (LBS. PER M)
G	15JUN94	JGK	PRN: S-99-1-N-2	ASSEMBLY	82-35-306-10	--	--	8.8
H	07JUN2016	CMS/JCG	PRN: P2016-1325	PLATE	--	SEE NOTE A	SEE NOTE A	
I	16FEB2017	CMS/JCG	PRN: P2017-0401	SPRING	--	--	--	
J	18DEC2019	CMS/JCG	PRN: P2019-3069	BOSS	--	--	NATURAL BLACK	

INCHES

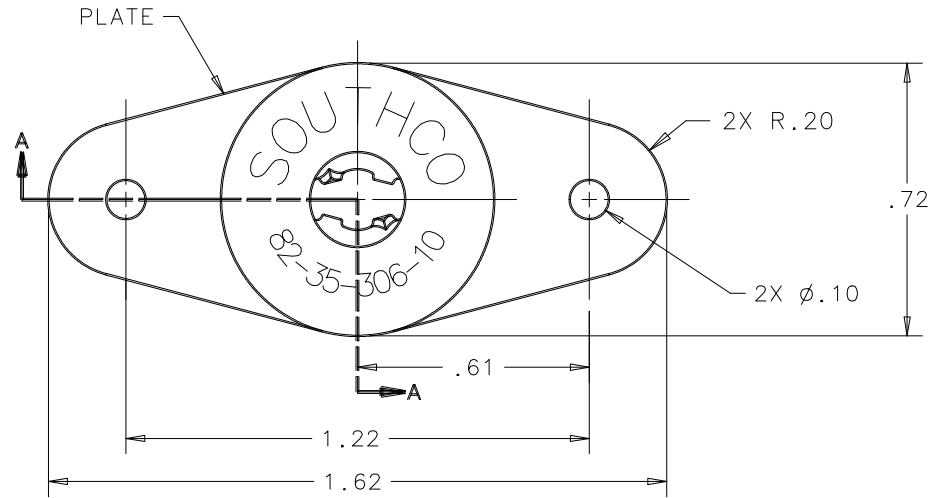
ALL DIMENSIONS WITHOUT TOLERANCES ARE FOR REFERENCE ONLY.

THIRD ANGLE PROJECTION

A PAPER SIZE

NO. 82 STUD SELECTION CHART FOR VIBRATION MOUNT NO. 82-55-306-10

WHEN OUTER PANEL THICKNESS IS:		USE STUD PART NUMBER	
MIN	MAX	OVAL HEAD	WING HEAD
.000	.025	82-11-080-16	82-12-080-16
.026	.045	100	100
.046	.065	120	120
.066	.085	140	140
.086	.105	160	160
.106	.125	180	180
.126	.145	200	200
.146	.165	82-11-220-16	82-12-220-16



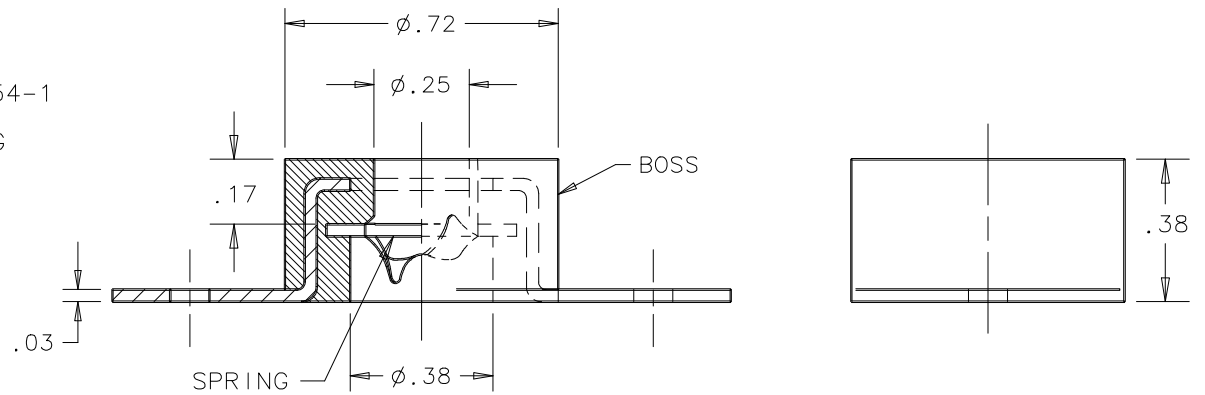
NOTES:

A. MATERIAL

BOSS: SYNTHETIC RUBBER

PLATE: ALUMINUM - EXPOSED SURFACES CHROMATE CHEMICAL CONVERSION COATED PER MIL-C-554-1

SPRING: STEEL HARDENED, ZINC IMMERSION COATING



SECTION A-A