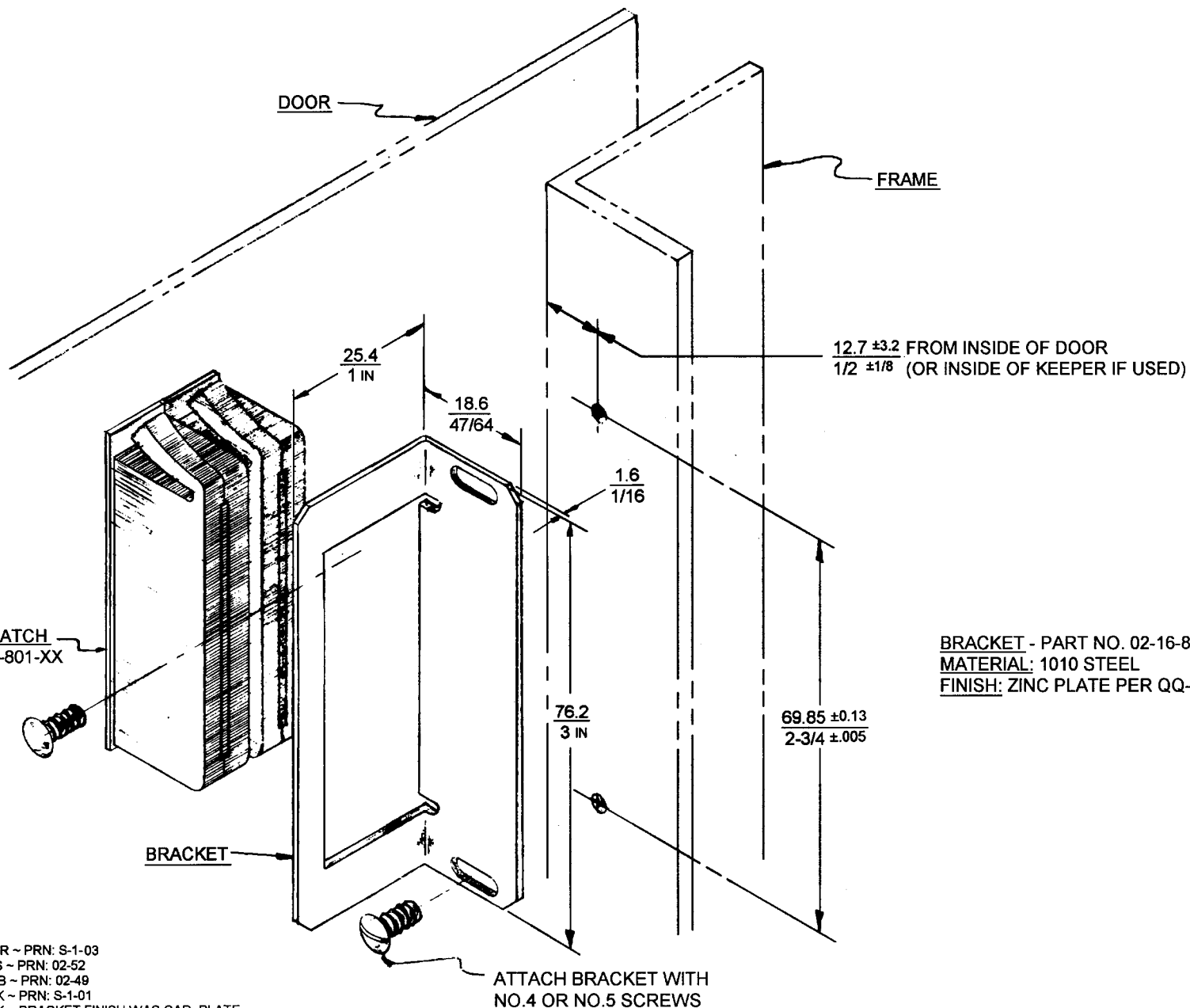




SOUTHCO NO. 02 SIDE MOUNT BRACKET (800 SERIES)
INSTALLATION INSTRUCTIONS

DATE	DRAWN	CHKD	SCALE	DRAWING NUMBER
2-25-75	ACZ		N.T.S.	J-02-16-801-11

R. S.	DATE	APP.
A		
B		
C		
B	2-24-75	<i>[Signature]</i>



BRACKET - PART NO. 02-16-801-11
MATERIAL: 1010 STEEL
FINISH: ZINC PLATE PER QQ-Z-325 TY.I, CL.2

REV.E ~ 5MAR93 ~ JRR ~ PRN: S-1-03
REV.D ~ 7-29-86 ~ JSS ~ PRN: 02-52
REV.C ~ 5-27-86 ~ RHB ~ PRN: 02-49
REV.B ~ 1-18-82 ~ ESK ~ PRN: S-1-01
REV.A ~ 3-19-75 ~ ESK ~ BRACKET FINISH WAS CAD, PLATE

PROPRIETARY ITEM - EXCEPT FOR USES EXPRESSLY GRANTED IN WRITING,
INFORMATION DISCLOSED HEREON IS CONFIDENTIAL AND ALL RIGHTS,
PATENT AND OTHERWISE, ARE RESERVED BY SOUTHCO, INC.

TOLERANCE UNLESS OTHERWISE NOTED
METRIC - MM - TWO PLACE (XX) ± — ONE PLACE (X) ± —
INCH DECIMALS ± — FRACTIONS ± — ANGLES ± —

DRAWING NUMBER
J-02-16-801-11