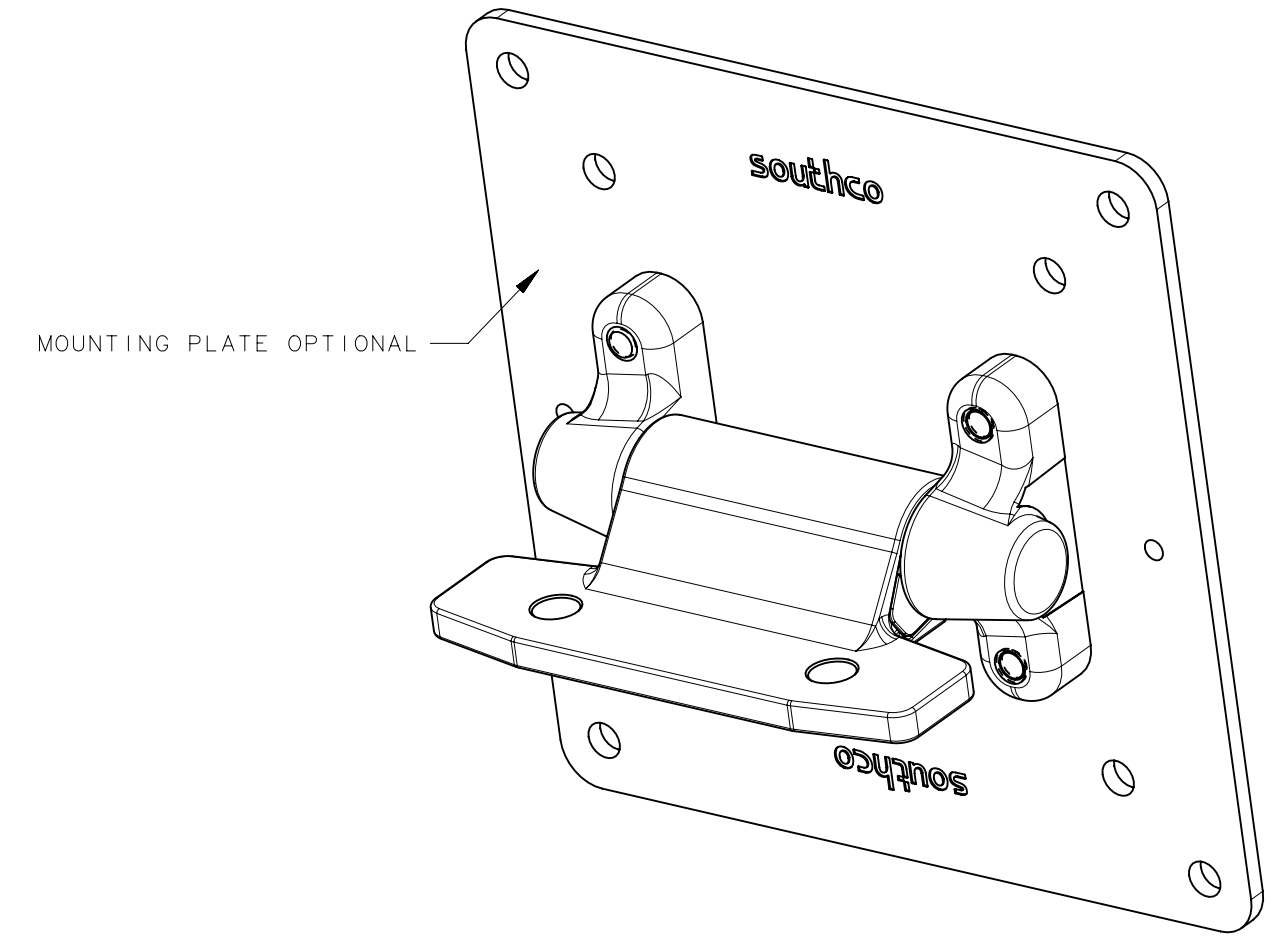
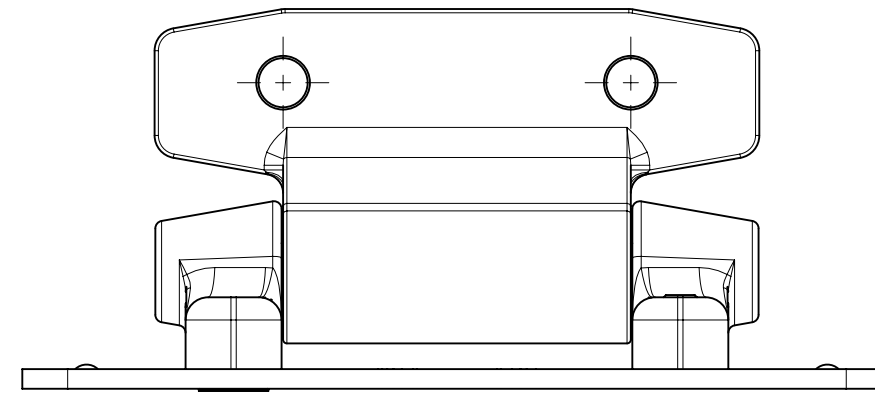
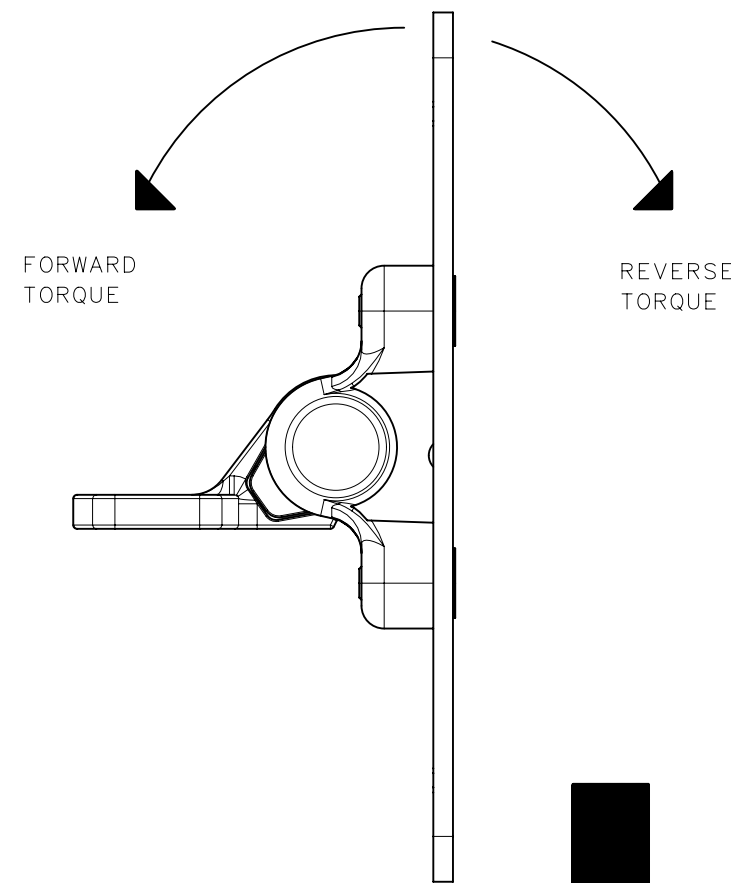


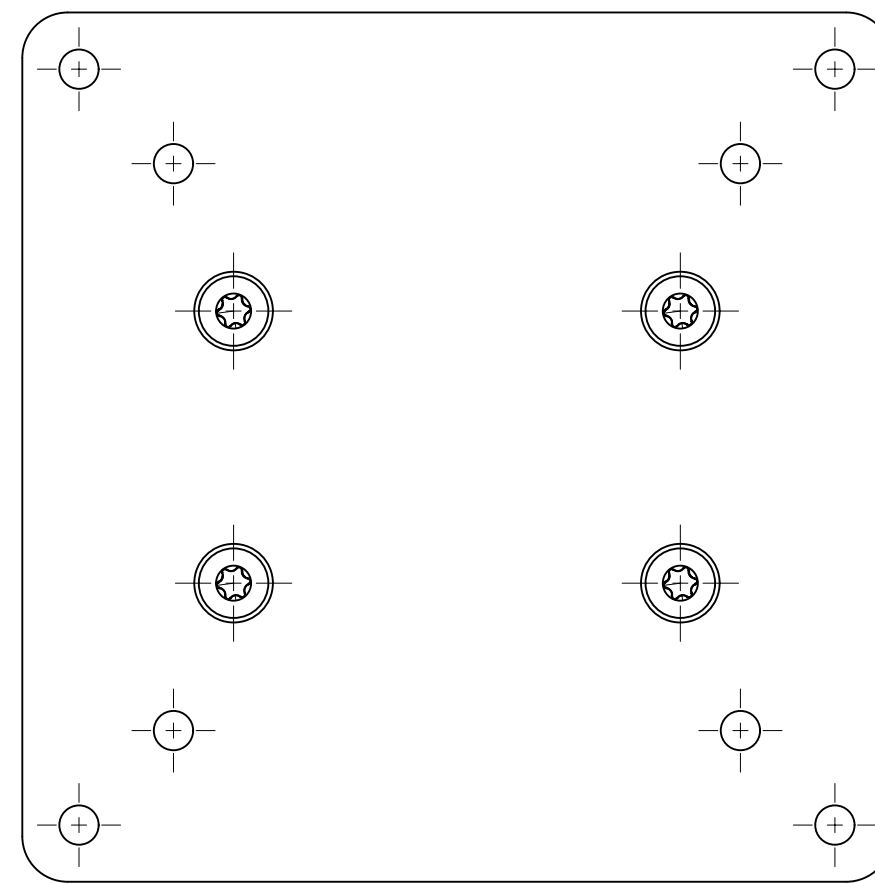
REVISION HISTORY			
REV	DATE	BY	DESCRIPTION
B	08MAY2018	CMS/JT	PRN: P2018-0413



ISOMETRIC VIEW



DIRECTION OF LOADING



NOTES:

1. TILT ASSEMBLY SYSTEM CYCLE TEST MOTION AS INDICATED: FORWARD 90° AND 20° REVERSE DISPLAY TILT.

CYCLE TEST CONDUCTED TILT MOVEMENT TILT TEST USING A 9.98 kg (22 lbm) TEST DISPLAY PANEL.

2. TORQUE SPECIFICATIONS AT A CYCLE LIFE OF 20,000 AT 25% DUTY CYCLE AT SPEEDS LESS THAN 15 RPM.

(NOTE: TILT FORWARD AND TILT REARWARD TORQUE MEASURED WITH THE DISPLAY IN THE VERTICAL (0°) POSITION.

3. PART NUMBERS: XX = 50 OR 76.

4. FOR TEST REPORTS SEE trAV-30339, trAV-15179, trAV-31832.

*- TORQUE GENERATING COMPONENTS WERE TESTED ON trE6-12930, AND trE6-32719, USING E6-10-600 SERIES HINGE. BOTH THE AV-D25 AND E6-10-600 SERIES HINGES USE THE SAME SHAFTS, TORQUE ELEMENTS AND KNURL INTERFACE.

PART NUMBER		FORWARD TORQUE	REVERSE TORQUE	AVERAGE ULTIMATE LOAD N (lbm)	WORKING LOAD RATING PER N (lbm)	CYCLE LIFE
WITH MOUNTING PLATE	WITHOUT MOUNTING PLATE	±20% N*m (lbf-in)	±20% N*m (lbf-in)			
AV-D25-2T35F-XX	AV-D25-2T035F-XX	3.9 (35.0)	3.0 (26.7)	1067.6 (240)	100 (22.5)	20,000
AV-D25-2T50F-XX	AV-D25-2T050F-XX	5.7 (50.0)	4.0 (35.7)			
AV-D25-2T65F-XX	AV-D25-2T065F-XX	7.3 (65.0)	5.4 (47.5)			
AV-D25-2T80F-XX	AV-D25-2T080F-XX	9.0 (80.0)	6.7 (59.4)			
AV-D25-2T95F-XX	AV-D25-2T095F-XX	10.7 (95.0)	7.8 (68.9)			
AV-D25-2T110F-XX	AV-D25-2T0110F-XX	12.4 (110.0)	9.0 (79.8)			
AV-D25-2T35R-XX	AV-D25-2T035R-XX	3.0 (26.7)	3.9 (35.0)			
AV-D25-2T50R-XX	AV-D25-2T050R-XX	4.0 (35.7)	5.7 (50.0)			
AV-D25-2T65R-XX	AV-D25-2T065R-XX	5.4 (47.5)	7.3 (65.0)			
AV-D25-2T80R-XX	AV-D25-2T080R-XX	6.7 (59.4)	9.0 (80.0)			
AV-D25-2T95R-XX	AV-D25-2T095R-XX	7.8 (68.9)	10.7 (95.0)			
AV-D25-2T110R-XX	AV-D25-2T0110R-XX	9.0 (79.8)	12.4 (110.0)			

THIRD ANGLE PROJECTION

MILLIMETERS [IN]

DESCRIPTION: Hinge & Controlled Motion Device ARM ASSEMBLY

SIZE: C SYSTEM: NX DWG NO.: TD-AV-D25-2T

PER ASME Y14.5M-1994 DRAWN BY: JJT DATE: 29OCT2013 SCALE: 1:1 SHEET 1 OF 1

southco
CONNECT · CREATE · INNOVATE

EXCEPT FOR USES EXPRESSLY GRANTED IN WRITING, INFORMATION DISCLOSED HEREON IS CONFIDENTIAL AND ALL RIGHTS, PATENT AND OTHERWISE, ARE RESERVED BY SOUTHCO, INC.