

southco

PROPRIETARY ITEM - EXCEPT FOR USES EXPRESSLY GRANTED IN WRITING INFORMATION DISCLOSED HEREON IS CONFIDENTIAL AND ALL RIGHTS PATENT AND OTHERWISE ARE RESERVED BY SOUTHCO, INC.

HEAVY DUTY PUSH TO CLOSE PINLATCH

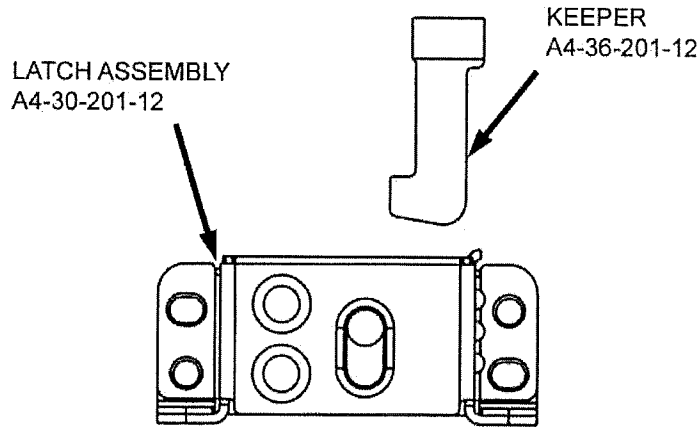
DATE	DRAWN	CHKD	SCALE	DRAWING NUMBER
3/07/09	DE		NTS	TD-A4-30-01-J

REV	DATE	DRAWN/CHKD	DESCRIPTION
A	1/07/09	DE	UPDATED FORMAT
B	22SEP2016	CMS/RC	PRN: P2016-2185




 THIRD ANGLE PROJECTION A4 PAPER SIZE

SOUTHCO PERFORMANCE GUIDELINES
 THE PERFORMANCE GUIDELINES SHOWN ON THIS PAGE ARE SUPPLIED AS A GENERAL GUIDE ONLY, AS CONDITIONS VARY WITH EACH APPLICATION AND METHOD OF INSTALLATION. STRENGTH DATA GIVEN IS FOR FAILURE OF THE PRODUCT OR FOR SUFFICIENT DEFORMATION TO MAKE PRODUCT INOPERABLE. NO SAFETY FACTOR HAS BEEN APPLIED. IT IS RECOMMENDED THAT THE USER REQUEST A PRODUCT SAMPLE FOR TESTING TO DETERMINE THE SUITABILITY OF THE PRODUCT FOR THE PURPOSE INTENDED AND USER'S PARTICULAR APPLICATION.



	PRODUCT NO. A4-30-201-12
MAXIMUM RECOMMENDED WORKING LOAD	600 N
MAXIMUM ULTIMATE LOAD IN TENSION	890N
OPERATING TEMPERATURE RANGE	-40°C to +90°C
CYCLIC DURABILITY (ONE CYCLE = OPEN & CLOSE)	1,000
KEEPER EJECTION FORCE	25N

CYCLIC DURABILITY : SOME WEAR WILL OCCUR WITHOUT LOSS OF PRIMARY FUNCTION.

MAXIMUM WORKING LOAD - THE MAXIMUM RECOMMENDED LOAD AT WHICH THE PRODUCT CONTINUES TO FUNCTION PROPERLY.

ULTIMATE LOAD - THE LOAD THAT CAUSES FAILURE OR EXCESSIVE DEFORMATION WHICH RENDERS THE PRODUCT INOPERABLE.

- Note:
- A. Holes for screws or rivet fixing method are provided. Test based on screwed fixing into steel.
 - B. Ensure door hinge to latch distance is greater than 500 mm.