

southco®

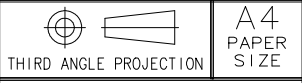
PROPRIETARY ITEM - EXCEPT FOR USES EXPRESSLY GRANTED IN WRITING INFORMATION DISCLOSED HEREON IS CONFIDENTIAL AND ALL RIGHTS PATENT AND OTHERWISE ARE RESERVED BY SOUTHCO, INC.

SOUTHCO No. 69 ARROWHEAD FASTENER ASSEMBLY

DATE	DRAWN	CHKD	SCALE	DRAWING NUMBER
13JUN73	RHB		1:1	J-69-10-501-11

REV.	DATE	DRAWN	REVISION	ITEM	PART NUMBER	MATERIAL	FINISH
J	05MAR93	VTB	PRN: S-1-03	ASSEMBLY	69-10-501-11	-	-
K	15JUL2000	JCK	PRN: 69-101	KNOB	-	NYLON	BLACK
L	20MAR2019	CMS/LT	PRN: P2019-0738	SHAFT	-	STEEL	DACROSEALED
				WASHER*	-	STAINLESS STEEL	PASSIVATE
				SPRING*	-	STAINLESS STEEL	NATURAL
				SLEEVE	-	DIE CAST ZINC	CHEMICAL PROTECTIVE FILM
				GROOVE PIN	-	STAINLESS STEEL	NATURAL
				FERRULE	-	6061-T6 ALUMINUM	NATURAL
				SLEEVE NUT	-	LOW CARBON STEEL	DACROTIZED™
				SHAFT NUT (2)	-	LOW CARBON STEEL	DACROTIZED™
				PAWL	-	1010 STEEL	DACROTIZED™
				LOCK WASHER (2)	-	SPRING STEEL	DACROTIZED™

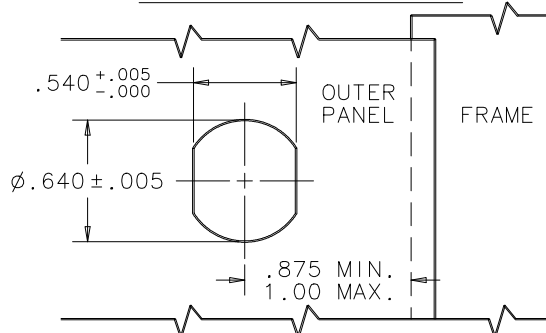
DIMENSIONS ARE IN INCHES
DIMENSIONS WITHOUT TOLERANCES ARE FOR REFERENCE ONLY.



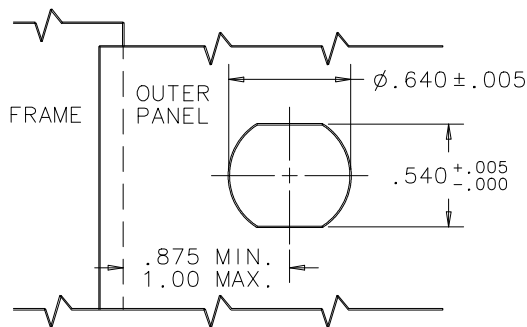
KNOB HEIGHT	MAX. OUTER PANEL	GRIP RANGE			
		PAWL AS SHOWN		PAWL REVERSED	
		MIN.	MAX.	MIN.	MAX.
1.00 MAX.	.250	.188	1.188	1.188	2.188
.750 MIN.	.500	.438	1.438	1.438	2.438

*WASHER AND SPRING ARE INTERNAL COMPONENTS, NOT SHOWN

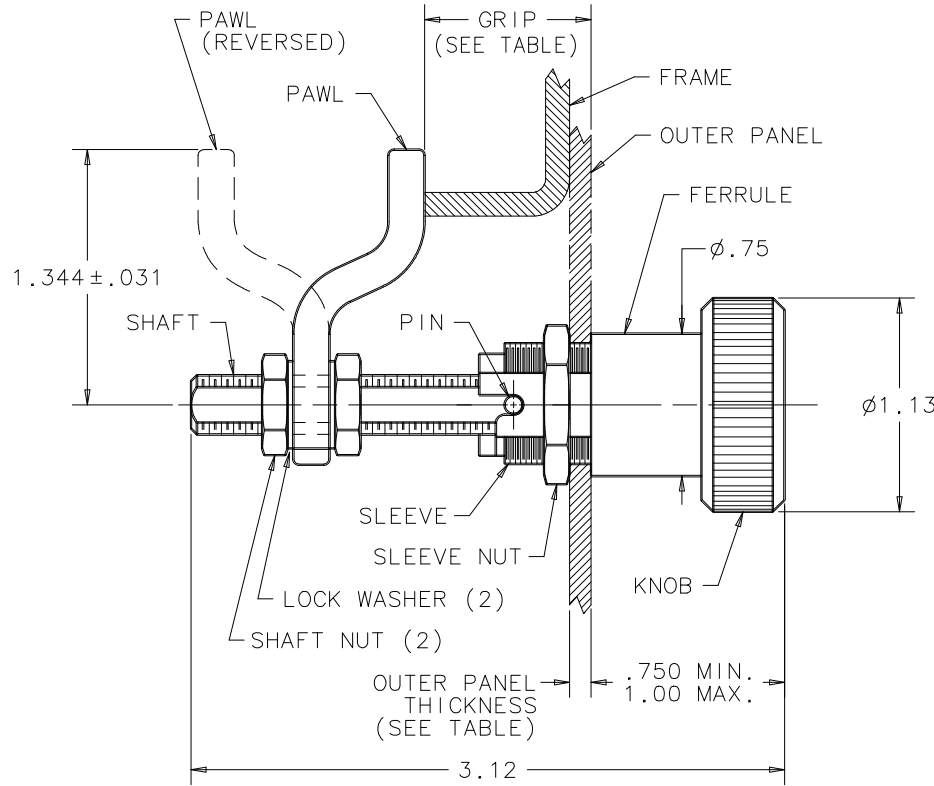
PANEL PREPARATION



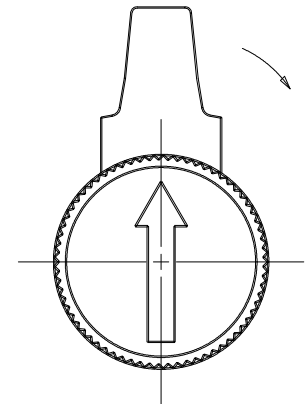
TYPE A INSTALLATION
(COUNTER-CLOCKWISE TO OPEN)



TYPE B INSTALLATION
(CLOCKWISE TO OPEN)



FASTENER OPERATES THRU 90° ROTATION IN DIRECTION AS SHOWN WITH A POSITIVE CLICK STOP AT BOTH EXTREMES. PAWL PULLS UP APPROX. .047 AT BOTH EXTREMES.



KNOB HEIGHT FROM OUTSIDE SURFACE OF PANEL IS ADJUSTABLE FROM .750 MIN. TO 1.00 MAX. BY ADJUSTING POSITION OF FERRULE ON THREADED SLEEVE BEFORE INSTALLING FASTENER. MAX. OUTER PANEL THICKNESS AND GRIP RANGE ARE DEPENDENT UPON SPECIFIC KNOB HEIGHT SELECTED (SEE TABLE).

™METAL COATINGS INTL.