

DATE	ISS.	DATE	APP.
	A		
	B		
	C		
	D		

DRAWING NUMBER
TD-53-1-J

SCALE

CHECK

DATE

NAME

NO.

BY

DATE

NO.

BY

DATE

NO.

BY

DATE

NO.

BY

DATE

NO.

BY

DATE

NO.

BY

DATE

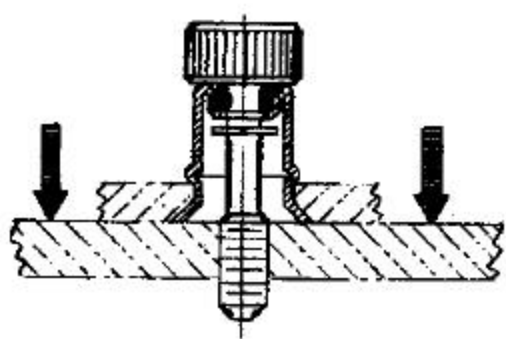
NO.

BY

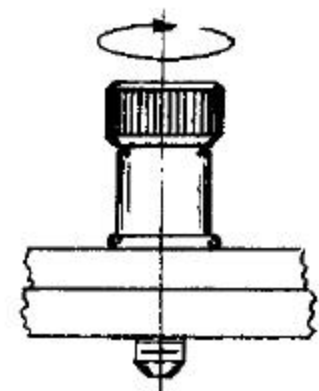
General Performance Guidelines

The information shown on this page was determined under one set of test conditions and is supplied as a general guide only, as conditions vary with each application. Strength data given is for failure of the product or for sufficient deformation to make the product inoperable. No safety factor has been applied. It is recommended that the user test the product for his particular application.

TENSILE LOADING



TORQUE



N°53 SCREW ASSEMBLY

THREAD SIZE	TENSILE HELD (LBS.) *	TORQUE * (IN.-LBS.)	RETENTION ** (LBS.)	SHEAR (LBS.)
N° 8	650	31	200	1000
N° 10	800	45	225	1150
1/4	850	77	400	2100

* FASTENER YIELDED WHEN THESE LOAD FIGURES WERE APPLIED
 ** LOAD REQUIRED TO SEPARATE SCREW FROM STAND-OFF

N°53 FASTENER

southco

DRAWING NUMBER
TD-53-1-J

PROPRIETARY ITEM EXCEPT FOR USES EXPRESSLY GRANTED IN WRITING, INFORMATION DISCLOSED HEREON IS CONFIDENTIAL AND ALL RIGHTS, PATENT AND OTHERWISE, ARE RESERVED BY SOUTHCO, INC.