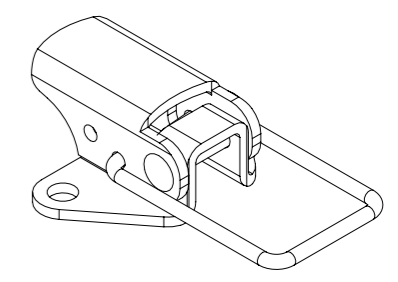
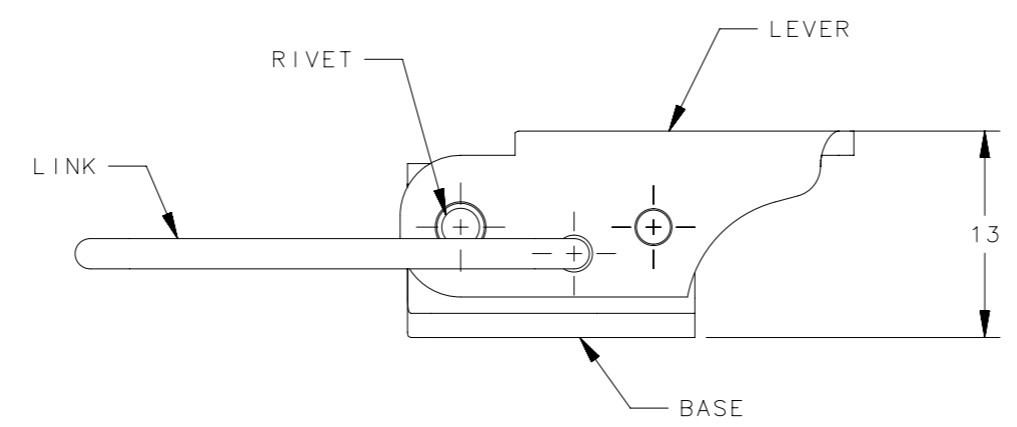
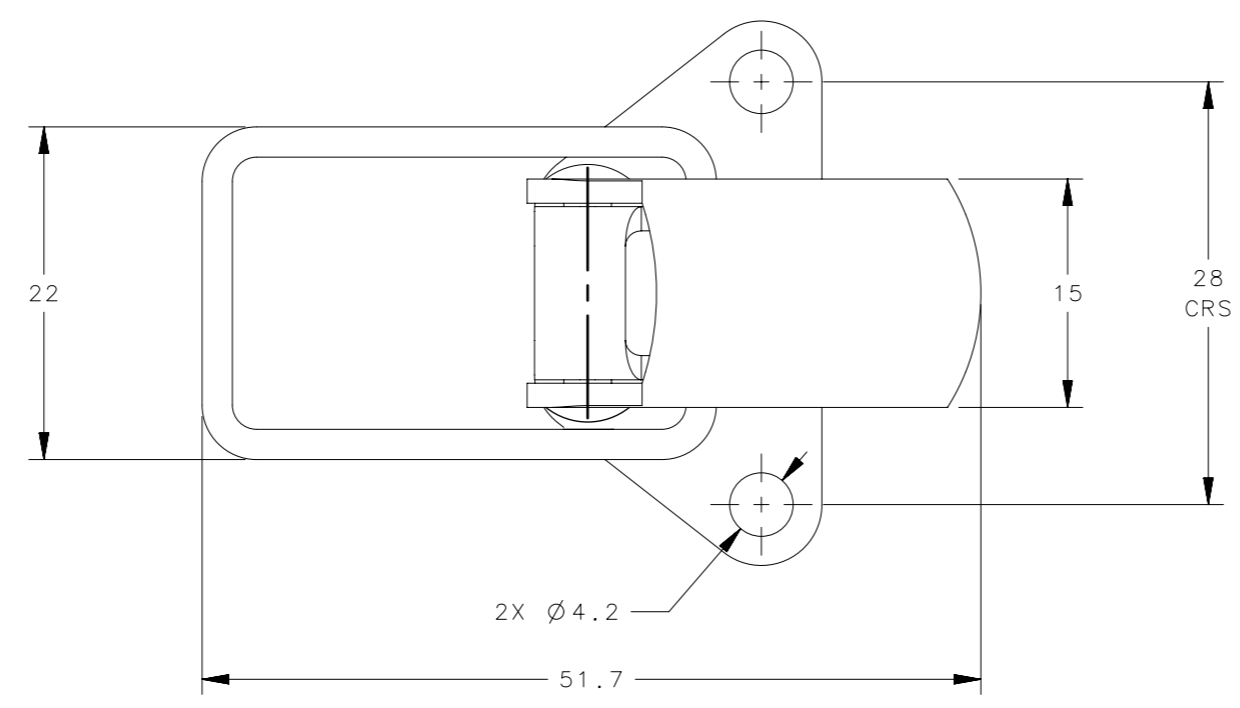


REVISION HISTORY			
REV	DATE	BY	DESCRIPTION
C	14DEC2021	ABK/HPD	PRN: P2021-2437



SCALE 1:1



TL-20-101-52	ASSEMBLY	STAINLESS STEEL	CLEAN
TL-20-101-24	ASSEMBLY	STAINLESS STEEL	ELECTRO POLISH
TL-20-101-07	ASSEMBLY	CARBON STEEL	ZINC PLATE & TRIVALENT PASS
PART NUMBER	TYPE OF COMPONENT	MATERIAL	FINISH

THIRD ANGLE PROJECTION		 CONNECT • CREATE • INNOVATE	
MILLIMETERS [IN]			
TOLERANCES UNLESS OTHERWISE NOTED		DESCRIPTION TOGGLE LATCH ASSEMBLY	
ALL DIMENSIONS WITHOUT TOLERANCES ARE FOR REFERENCE ONLY.		SIZE A3	SYSTEM NX
PROPRIETARY ITEM		DWG NO. J-TL-20-101	
EXCEPT FOR USES EXPRESSLY GRANTED IN WRITING, INFORMATION DISCLOSED HEREON IS CONFIDENTIAL AND ALL RIGHTS, PATENT AND OTHERWISE, ARE RESERVED BY SOUTHCO, INC.		DRAWN BY MW	DATE 20FEB2006
PER ASME Y14.5M-1994		SCALE 2:1	SHEET 1 OF 1