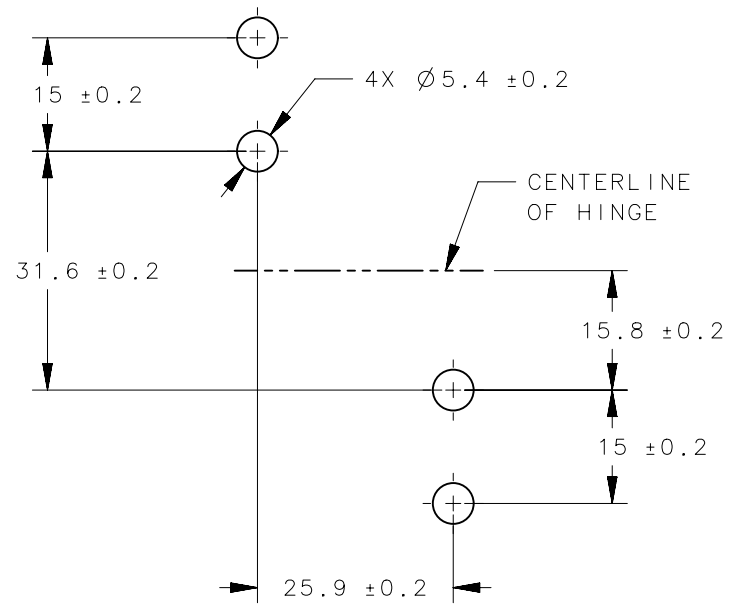
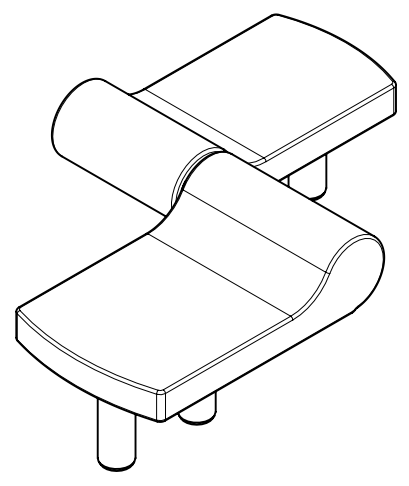


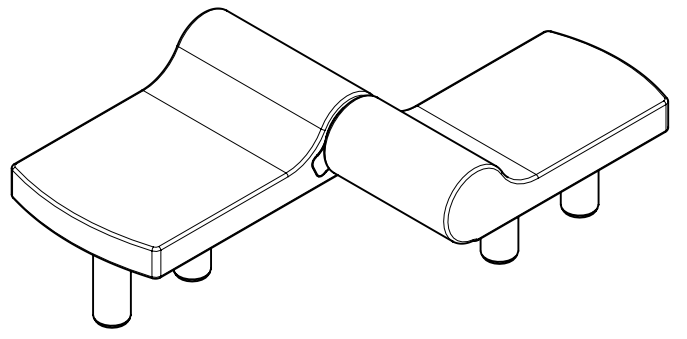
REVISION HISTORY			
REV	DATE	BY	DESCRIPTION
C	08NOV2012	MJS/JT	PRN: P2012-1325



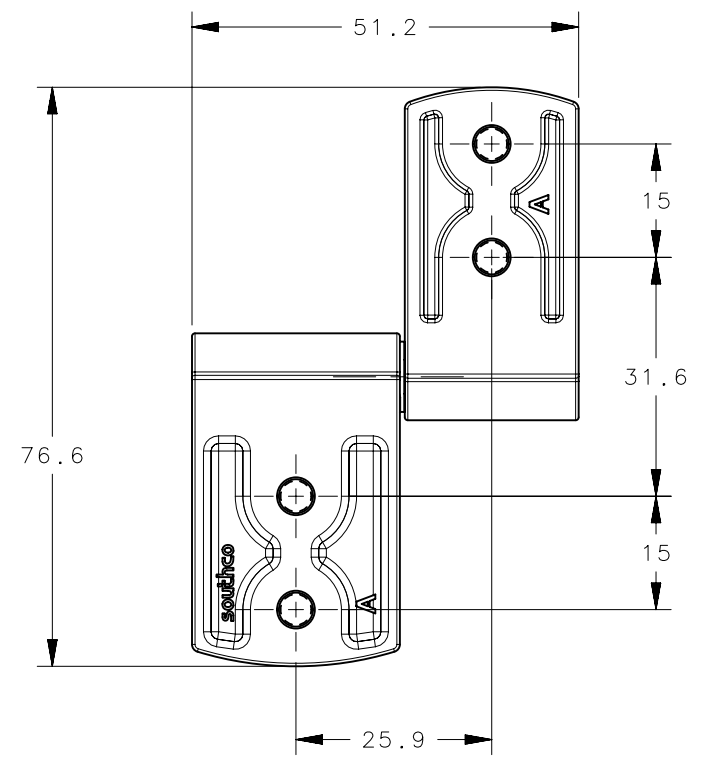
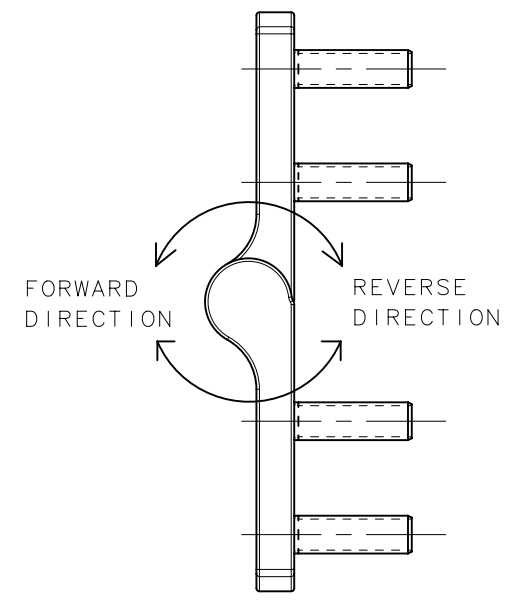
PANEL LAYOUT



TYPE A
(SHOWN DIMENSIONED)



TYPE B



- NOTES:
- PERFORMANCE TORQUE TOLERANCE $\pm 20\%$
 - MATERIAL:
HINGE BODY: ZINC ALLOY. SEE TABLE FOR FINISH
INTERNAL COMPONENTS: HARDENED STEEL
 - TO PROPERLY FUNCTION, TYPE A AND TYPE B HAVE TO BE USED TOGETHER
 - STUDS ARE M5 X 0.8 THREAD
 - CYCLE LIFE TO BE 20,000 CYCLES WITH LESS THAN 20% TORQUE CHANGE FROM MANUFACTURED VALUE

PART NUMBER		STATIC TORQUE $\pm 20\%$	
TYPE A	TYPE B	FORWARD TORQUE N-m (in-lbf)	REVERSE TORQUE N-m (in-lbf)
ST-11A1-140SA-[XX]	ST-11A1-140SB-[XX]	1.58 (14)	1.58 (14)
ST-11A1-200SA-[XX]	ST-11A1-200SB-[XX]	2.26 (20)	2.26 (20)
ST-11A1-260SA-[XX]	ST-11A1-260SB-[XX]	2.94 (26)	2.94 (26)
ST-11A1-140FA-[XX]	ST-11A1-140FB-[XX]	1.58 (14)	0.95 (8.4)
ST-11A1-200FA-[XX]	ST-11A1-200FB-[XX]	2.26 (20)	1.36 (12)
ST-11A1-260FA-[XX]	ST-11A1-260FB-[XX]	2.94 (26)	1.76 (15.6)
ST-11A1-320FA-[XX]	ST-11A1-320FB-[XX]	3.62 (32)	2.17 (19.2)
ST-11A1-140RA-[XX]	ST-11A1-140RB-[XX]	0.95 (8.4)	1.58 (14)
ST-11A1-200RA-[XX]	ST-11A1-200RB-[XX]	1.36 (12)	2.26 (20)
ST-11A1-260RA-[XX]	ST-11A1-260RB-[XX]	1.76 (15.6)	2.94 (26)
ST-11A1-320RA-[XX]	ST-11A1-320RB-[XX]	2.17 (19.2)	3.62 (32)

THIRD ANGLE PROJECTION			
MILLIMETERS [IN]			
TOLERANCES UNLESS OTHERWISE NOTED		DESCRIPTION Hinge & Controlled Motion Device	
ALL DIMENSIONS WITHOUT TOLERANCES ARE FOR REFERENCE ONLY.		SIZE B	SYSTEM NX
PER ASME Y14.5M-1994		DWG NO. J-ST-11A1	DATE 21APR08
EXCEPT FOR USES EXPRESSLY GRANTED IN WRITING, INFORMATION DISCLOSED HEREON IS CONFIDENTIAL AND ALL RIGHTS, PATENT AND OTHERWISE, ARE RESERVED BY SOUTHCO, INC.		DRAWN BY JT	SCALE 1:1
		SHEET 1 OF 1	