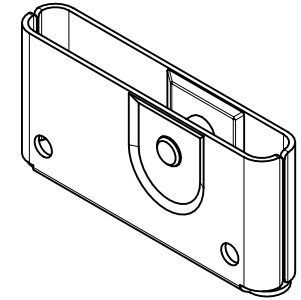
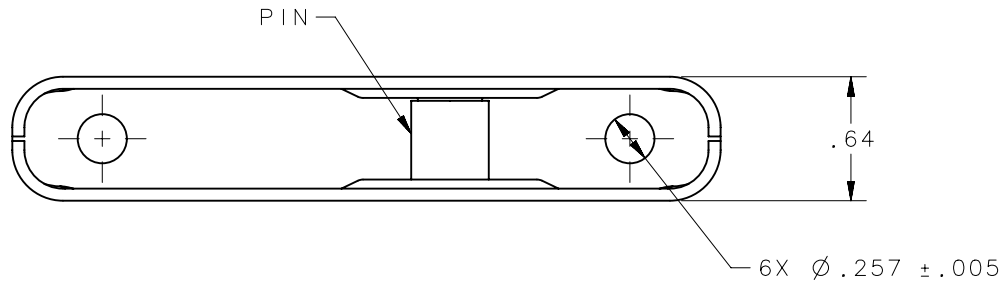
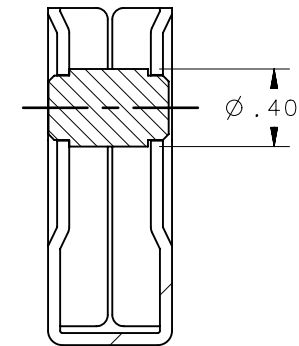
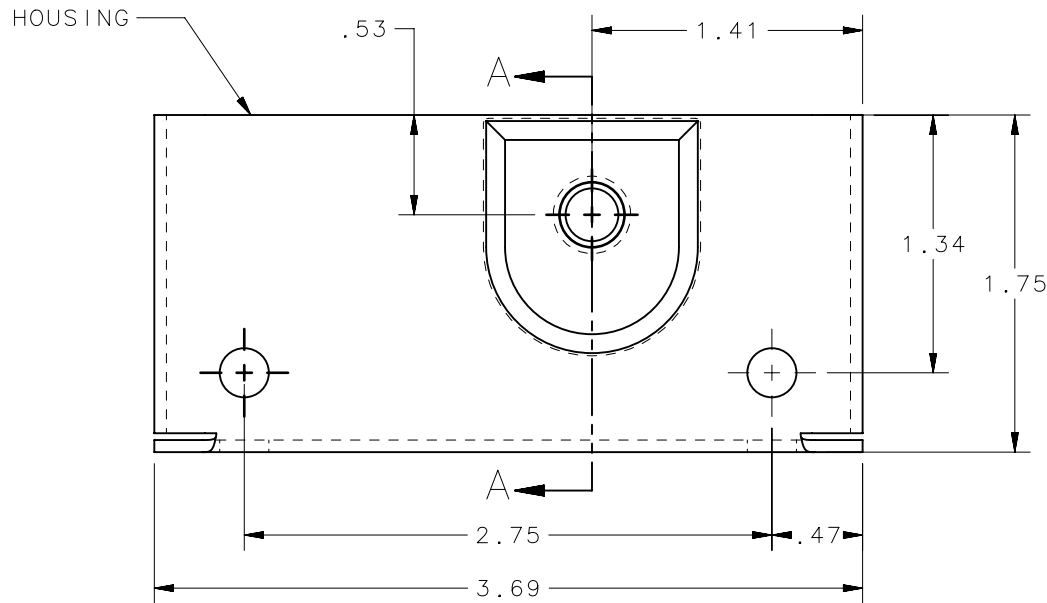


REVISION HISTORY			
REV	DATE	BY	DESCRIPTION
J	02OCT2019	MBT/DMS	PRN: P2019-2456



SCALE 1:2



SECTION A-A

R5-0079-XX	CARBON STEEL	SEE TABLE
PART NUMBER	MATERIAL	FINISH

XX	FINISH
07	ZINC PLATED, CHROMATE DIP (RoHS COMPLIANT)
08	ZINC PLATED, YELLOW CHROMATE DIP
94	ZINC PLATED, CHROMATE DIP PLUS SEALER (RoHS COMPLIANT)
17	ZINC PLATED, CHROMATE DIP, HOUSING: GALVANIZED

SURFACE AREA
VOLUME
PROPRIETARY ITEM
EXCEPT FOR USES EXPRESSLY GRANTED IN WRITING, INFORMATION DISCLOSED HEREON IS CONFIDENTIAL AND ALL RIGHTS, PATENT AND OTHERWISE, ARE RESERVED BY SOUTHCO, INC.

THIRD ANGLE PROJECTION	
INCHES [MM]	
TOLERANCES UNLESS OTHERWISE NOTED	
ALL DIMENSIONS WITHOUT TOLERANCES ARE FOR REFERENCE ONLY.	
PER ASME Y14.5M-1994	

 CONNECT • CREATE • INNOVATE		DESCRIPTION	
		NO. R5 RECEPTACLE	
SIZE	SYSTEM	DWG NO.	
A	NX	J-R5-0079	
DRAWN BY	DATE	SCALE	SHEET
KWC	04NOV1993	1:1	1 OF 1