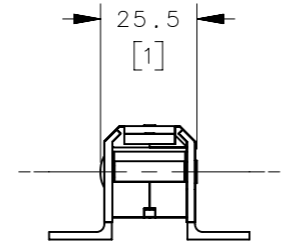
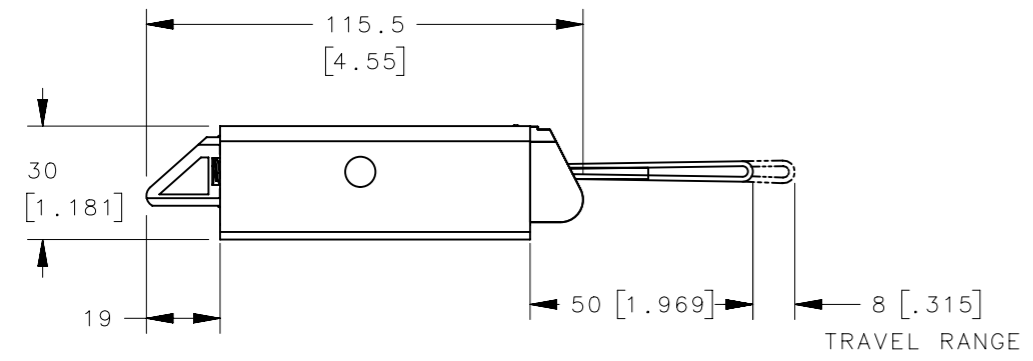
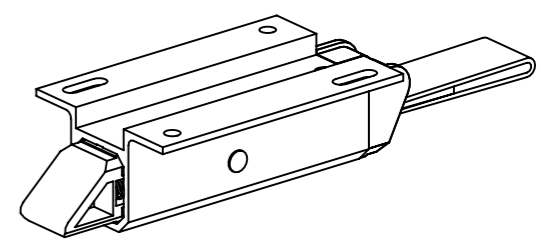
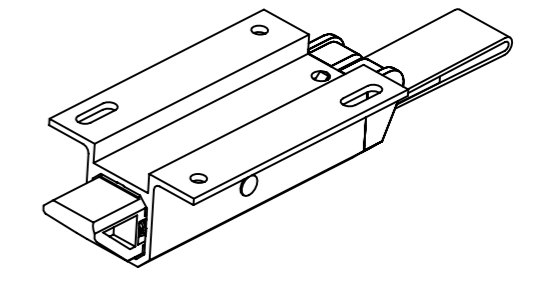
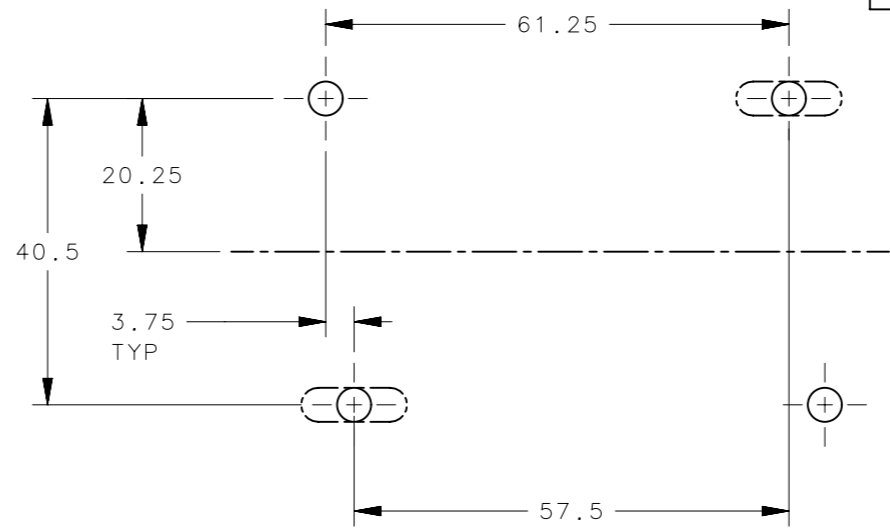
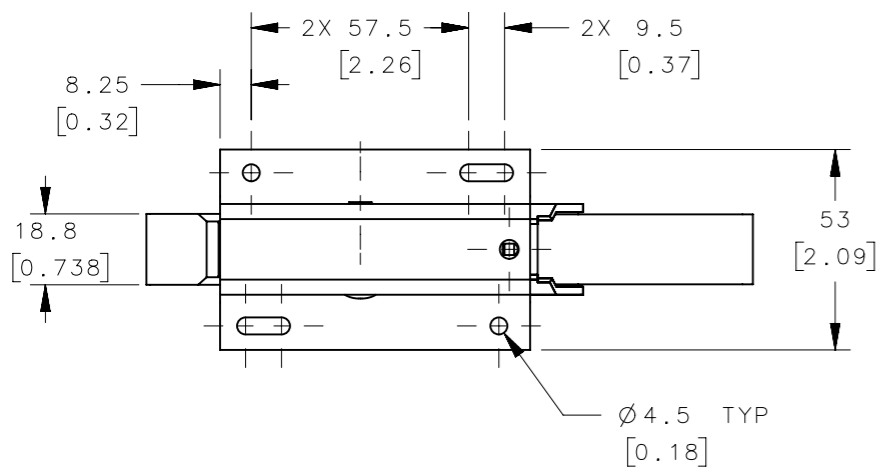
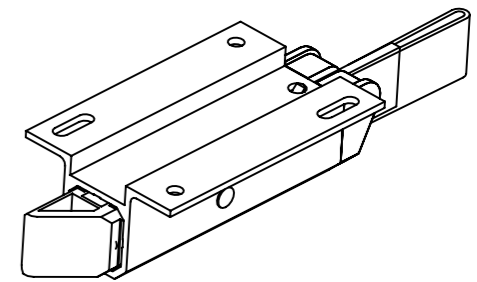
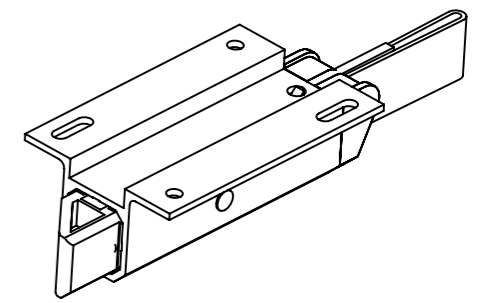


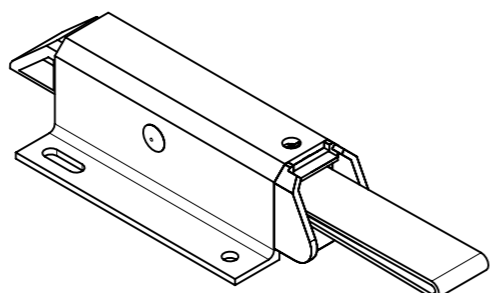
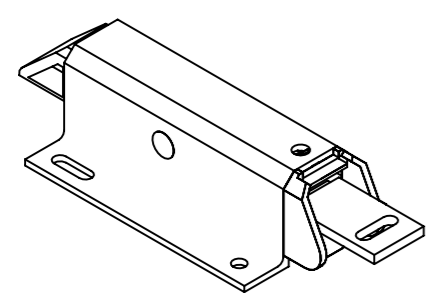
REVISION HISTORY			
REV	DATE	BY	DESCRIPTION
B	29MAY2012	BGL/CW	PRN: P2012-0702



SUGGESTED PANEL PREPARATION

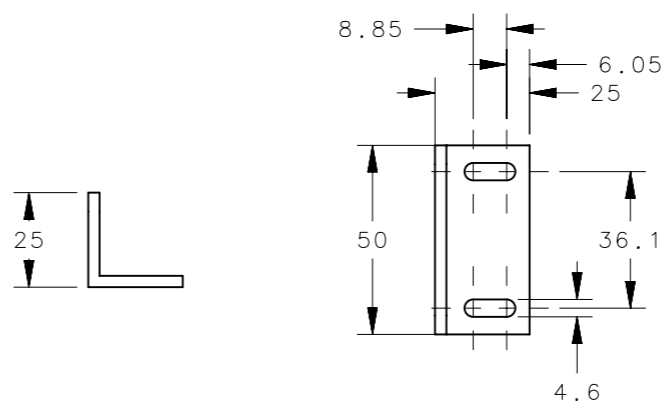
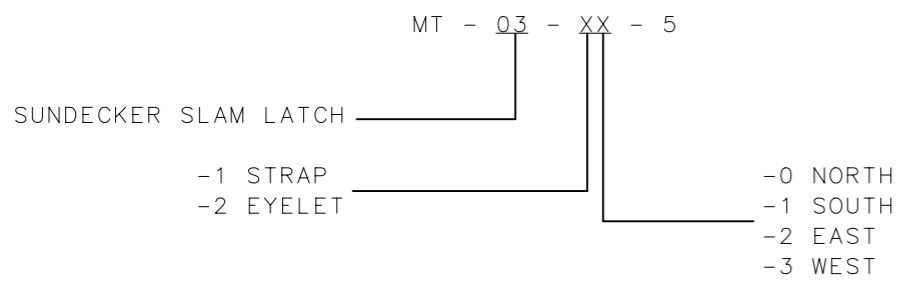


LATCH



MT-03-20-5 SHOWN

MT-03-10-5 SHOWN



STRIKER

MATERIAL AND FINISH

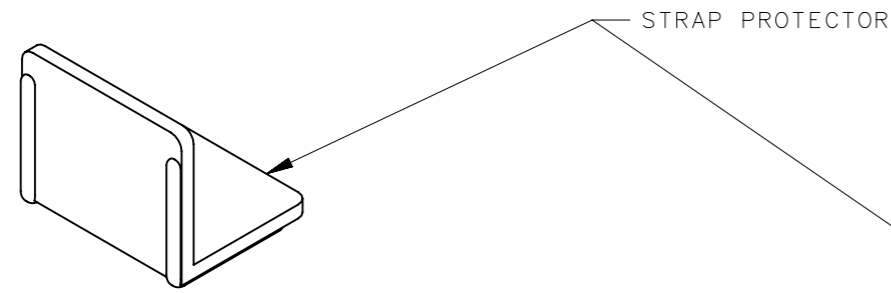
- ALL VERSIONS
- HOUSING: ALUMINUM, NATURAL ANODIZED
- PAWL: POM, BLACK
- SPRINGS: STAINLESS STEEL
- RIVET: STAINLESS STEEL
- STRAP: NYLON, BLACK
- EYELET: ALUMINUM, NATURAL ANODIZED

NOTES:

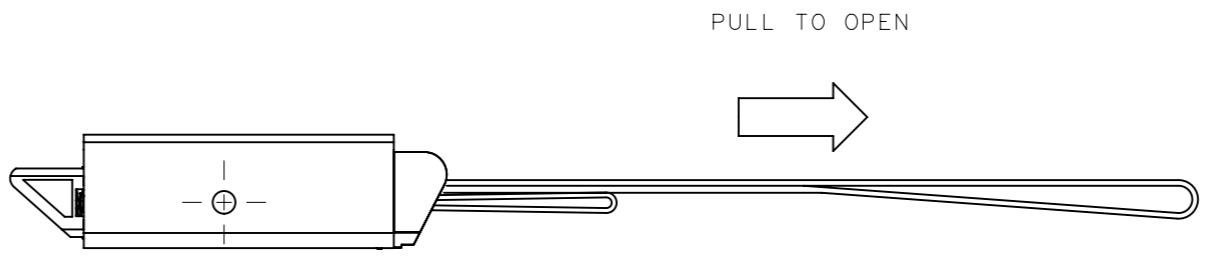
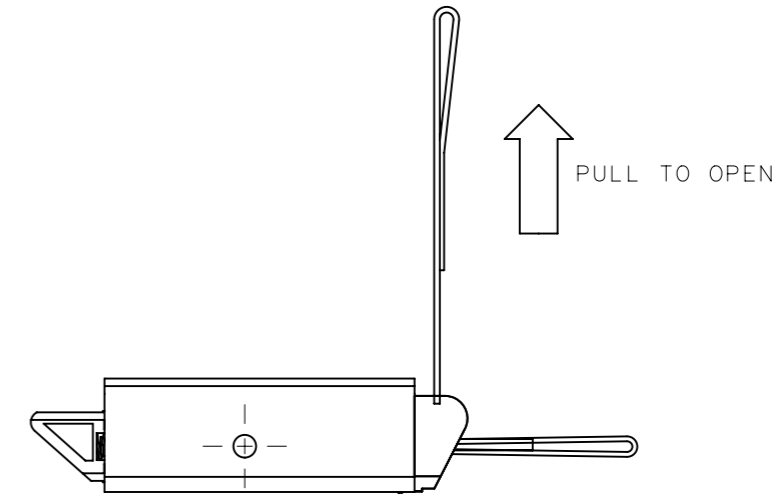
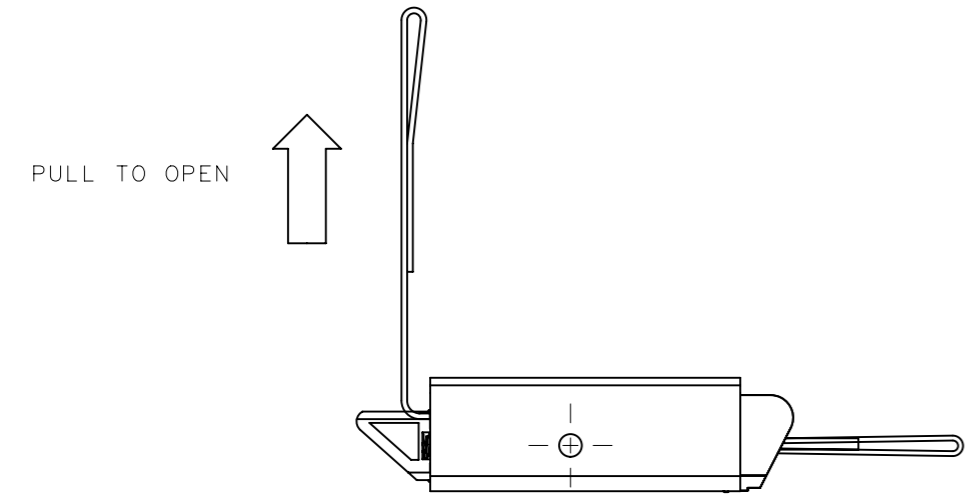
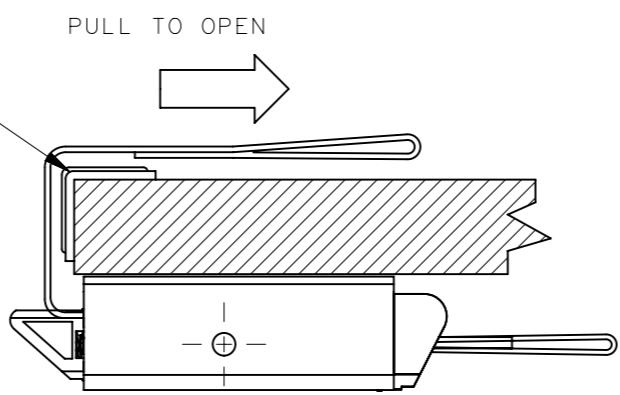
- A. ASSEMBLY INCLUDES STRIKER AND STRAP PROTECTOR.
- B. PULLING FORCE: 600lbs (270kg)
- C. RELEASE OPTIONS: 1000mm [39.4"] NYLON RELEASE STRAP WITH LOOP OR EYELET FOR CABLE RELEASE.

- MT-03-XX-YY		1	ASSEMBLY	
NO.	SOUTHCO PART NUMBER	QTY	TYPE OF COMPONENT	
		THIRD ANGLE PROJECTION		
		MILLIMETERS [IN]		
SURFACE AREA		TOLERANCES UNLESS OTHERWISE NOTED		<b>southco</b> <sup>®</sup> CONNECT • CREATE • INNOVATE MT SUNDECKER SLAM LATCH
VOLUME		ALL DIMENSIONS WITHOUT TOLERANCES ARE FOR REFERENCE ONLY.		
PROPRIETARY ITEM		SIZE	SYSTEM	DWG NO.
EXCEPT FOR USES EXPRESSLY GRANTED IN WRITING, INFORMATION DISCLOSED HEREON IS CONFIDENTIAL AND ALL RIGHTS, PATENT AND OTHERWISE, ARE RESERVED BY SOUTHCO, INC.		A3	NX	J-MT-03
PER ASME Y14.5M-1994		DRAWN BY	DATE	SCALE
		ACH	25MAY2010	1:1
		SHEET		1 OF 2

REVISION HISTORY			
REV	DATE	BY	DESCRIPTION
B	29MAY2012	BGL/CW	PRN: P2012-0702



SCALE 1:1



THIRD ANGLE PROJECTION		<b>southco</b> <sup>®</sup> CONNECT • CREATE • INNOVATE	
MILLIMETERS [IN]			
SURFACE AREA XXXXXmm <sup>2</sup>		DESCRIPTION MT SUNDECKER SLAM LATCH	
VOLUME XXXXXmm <sup>3</sup>		SIZE A3 SYSTEM NX DWG NO. J-MT-03	
<small>PROPRIETARY ITEM  EXCEPT FOR USES EXPRESSLY GRANTED  IN WRITING, INFORMATION DISCLOSED  HEREON IS CONFIDENTIAL AND ALL  RIGHTS, PATENT AND OTHERWISE,  ARE RESERVED BY SOUTHCO, INC.</small>		<small>PER ASME Y14.5M-1994</small>	
		<small>DRAWN BY</small> ACH	<small>DATE</small> 25MAY2010
		<small>SCALE</small> 1:2	<small>SHEET</small> 2 OF 2