

MATERIAL AND FINISH

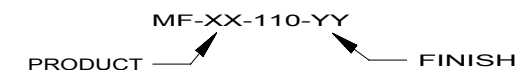
LOCK CASE: ALUMINIUM
 LOCK HOOKS: BRASS, NICKEL PLATED
 HANDLE: PA6.GF30, BLACK
 PRIVACY KNOB: PA6.6GF BLACK
 LOCK CYLINDER: PA12GF, BRASS, POM
 SPRINGS: 304 STAINLESS STEEL
 SCREWS: 316 STAINLESS STEEL
 KNURL: BRASS, NICKEL PLATED
 SPRING BLADE: 316 STAINLESS STEEL
 HANDLE GASKET: DRAYFLEX, BLACK
 LOCK CYLINDER COVER: THERMOPLASTIC ELASTOMER, BLACK.

NOTES:

1. DOOR THICKNESS "C" 12.7MM [1/2"] OR 10MM [3/8"] WITH SPACER
2. FOR PANEL PREPARATION INSTRUCTIONS SEE DRAWING J-MF-XX-110-YY-2
3. SEE SOUTHCO MARINE HANDBOOK FOR MORE DETAILED INSTALLATION INSTRUCTIONS
4. VISIBLE RED DOT ON PRIVACY SLIDE INDICATES LATCH IS UNLOCKED

REVISION HISTORY			
REV	DATE	BY	DESCRIPTION
C	18JUL2011	DTB	PRN: P2011-0914

PART NUMBER SYSTEM



PRODUCT (XX)

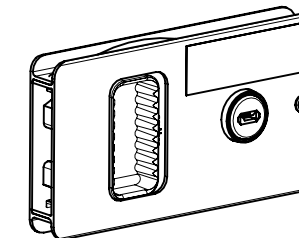
- 01 - FLUSH STANDARD
- 02 - FLUSH WEATHER PROOF
- 03 - FLUSH WATERTIGHT

FINISH FOR ESCUTCHEONS (YY)

- 50 - BLACK POWDER COAT
- 60 - CLEAR ANODIZED ALUMINIUM
- 70 - WHITE POWDER COAT

FLUSH STANDARD

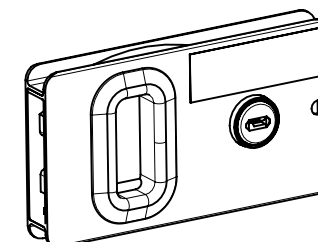
(MF-01-110-YY)



SCALE 1:3

FLUSH WEATHER PROOF

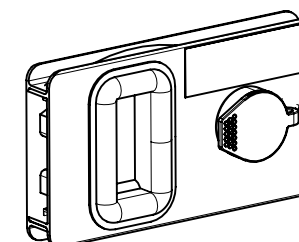
(MF-02-110-YY)



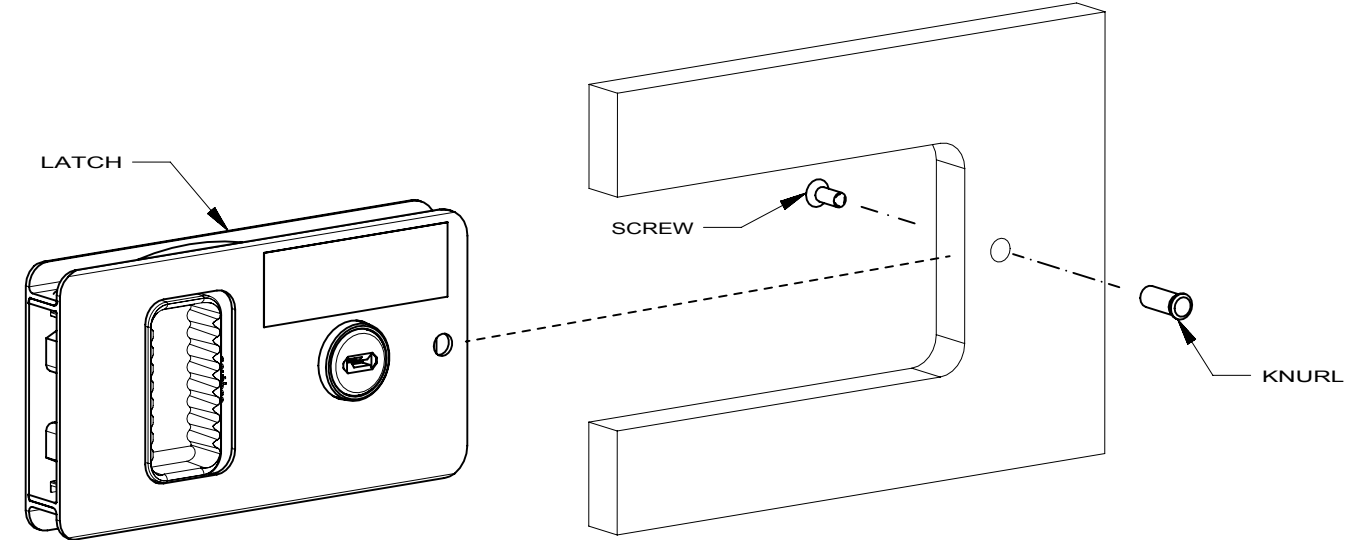
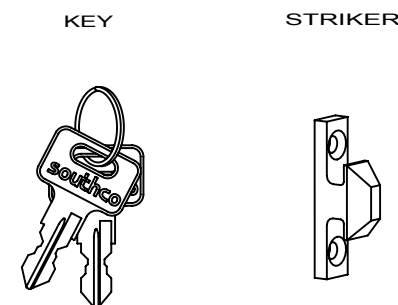
SCALE 1:3

FLUSH WATERTIGHT

(MF-03-110-YY)

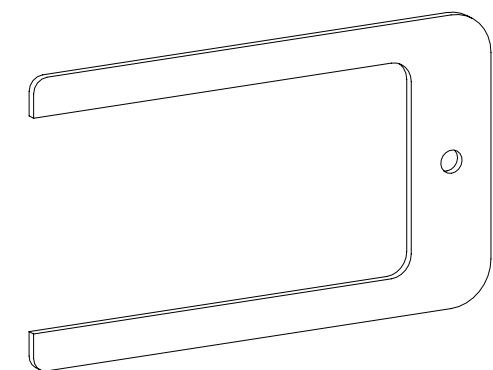


SCALE 1:3

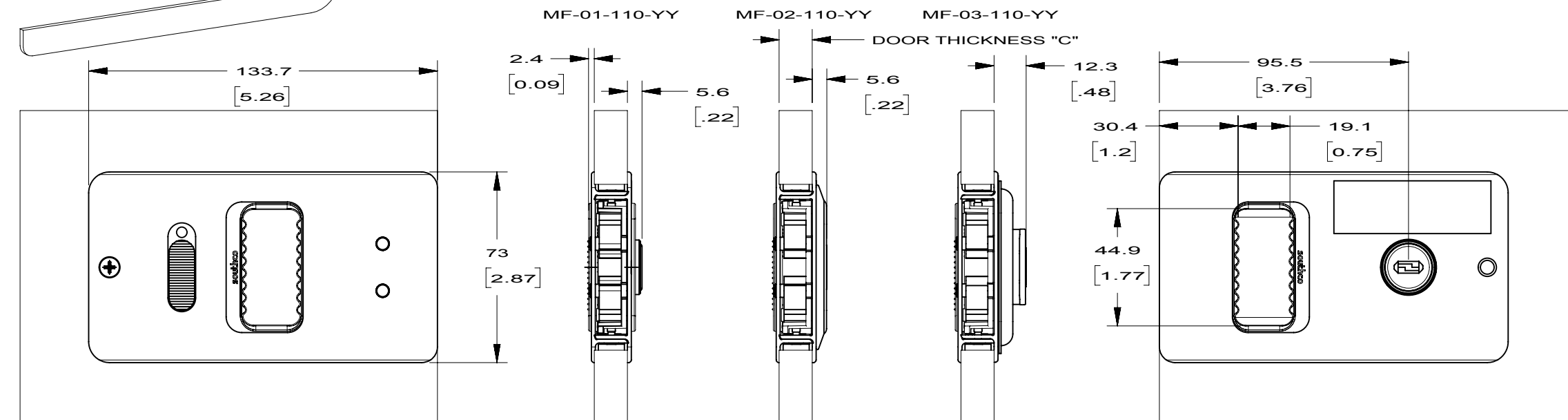


OPTIONAL SPACER

TO ENABLE 10MM [3/8"] DOOR THICKNESS
 MF-92-100-50 BLACK ANODIZED ALUMINIUM
 MF-92-100-60 CLEAR ANODIZED ALUMINIUM



MILLIMETER [INCH]
 MILLIMETER [INCH]

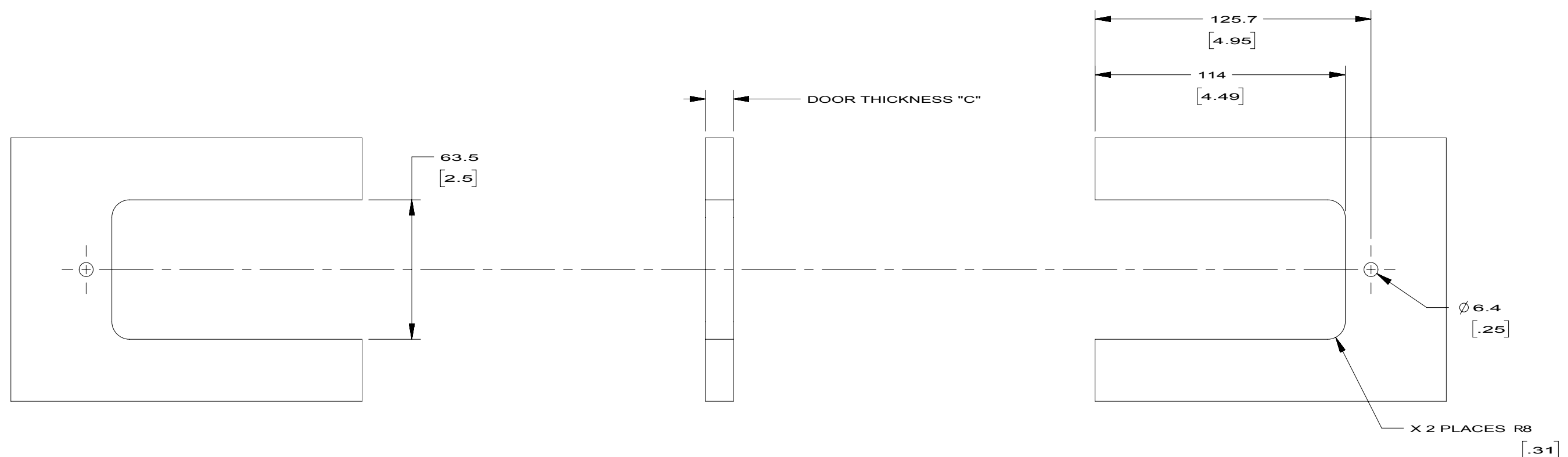


THIRD ANGLE PROJECTION				 CONNECT CREATE INNOVATE		
MILLIMETERS [IN]						
TOLERANCES UNLESS OTHERWISE NOTED	DESCRIPTION					
ALL DIMENSIONS WITHOUT TOLERANCES ARE FOR REFERENCE ONLY.	FLUSH					
PROPRIETARY ITEM	SIZE	SYSTEM	DWG NO.			
EXCEPT FOR USES EXPRESSLY GRANTED IN WRITING, INFORMATION DISCLOSED HEREON IS CONFIDENTIAL AND ALL RIGHTS, PATENT AND OTHERWISE, ARE RESERVED BY SOUTHCO, INC.	A3	NX	J-MF-XX-110-YY			
PER ASME Y14.5M-1994	DRAWN BY	DATE	SCALE	SHEET		
	MF/HJ	16OCT2009	1:2	1 OF 2		

REVISION HISTORY			
REV	DATE	BY	DESCRIPTION
C	18JUL2011	DTB	PRN: P2011-0914

MILLIMETER [INCH]
MILLIMETER [INCH]

NOTES:
PANEL PREPERATION FOR ASSEMBLIES MF-XX-110-YY



PROPRIETARY ITEM <small>EXCEPT FOR USES EXPRESSLY GRANTED IN WRITING, INFORMATION DISCLOSED HEREON IS CONFIDENTIAL AND ALL RIGHTS, PATENT AND OTHERWISE, ARE RESERVED BY SOUTHCO, INC.</small>	THIRD ANGLE PROJECTION	 CONNECT CREATE INNOVATE			
	MILLIMETERS [IN]				
	TOLERANCES UNLESS OTHERWISE NOTED	FLUSH			
	ALL DIMENSIONS WITHOUT TOLERANCES ARE FOR REFERENCE ONLY.	SIZE A3	SYSTEM NX	DWG NO. J-MF-XX-110-YY-2	
PER ASME Y14.5M-1994	DRAWN BY MF/HJ	DATE 16OCT2009	SCALE 1:2	SHEET 2 OF 2	