



PROPRIETARY ITEM - EXCEPT FOR USES EXPRESSLY GRANTED IN WRITING INFORMATION DISCLOSED HEREON IS CONFIDENTIAL AND ALL RIGHTS PATENT AND OTHERWISE ARE RESERVED BY SOUTHCO, INC.

No. 56 SPRING LOADED PLUNGER ASSEMBLY, FLARE-IN STYLE, WITH LARGE OVERMOLDED KNOB AND WITHOUT STAY-OPEN FEATURE

DATE	DRAWN	CHKD	SCALE	DRAWING NUMBER
28FEB2003	DLH	LLC	1.5:1	J-56-270

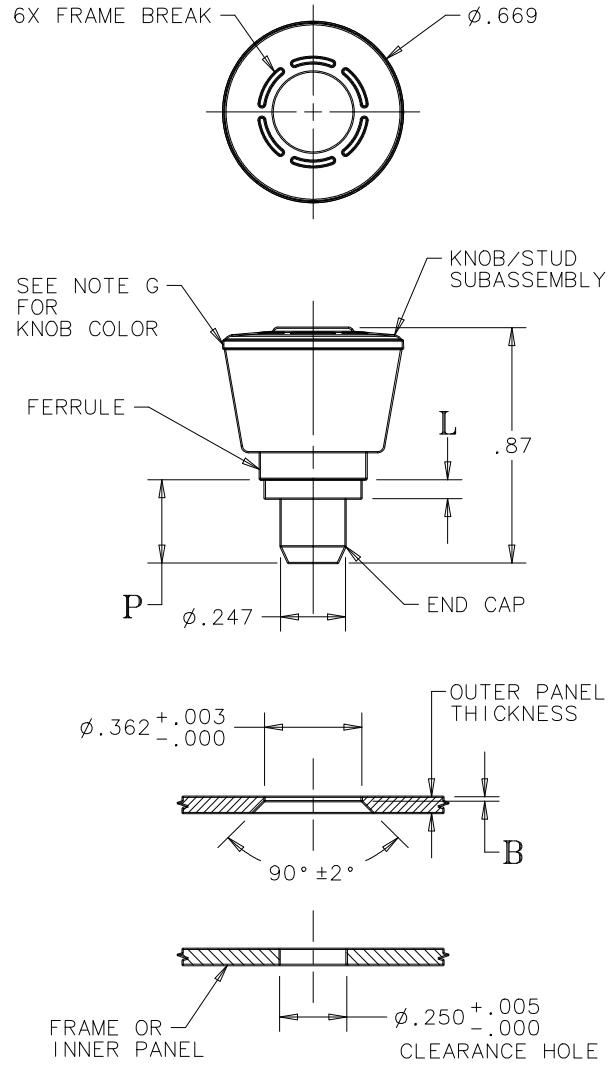
REV	DATE	DRAWN/CHKD	DESCRIPTION	PART NUMBER	OUTER PANEL THICKNESS		B ±.005	L	P	H1	H2
					MIN	MAX					
				56-270-1-EEE	.060	.125	.016	.070	.31	.57	.81
				56-270-2-EEE	.125	.185	.060	.130	.37	.51	.75

INCHES

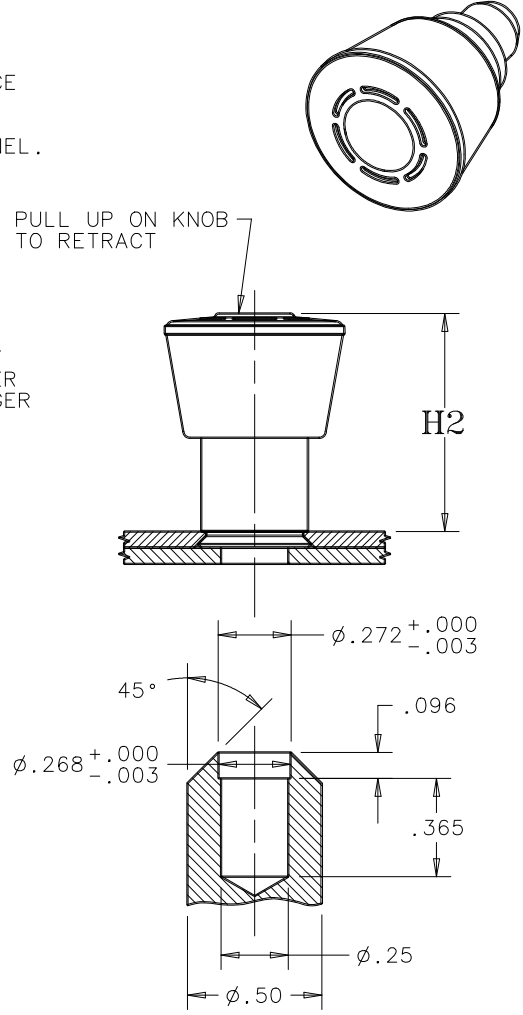
ALL DIMENSIONS WITHOUT TOLERANCES ARE FOR REFERENCE ONLY.

THIRD ANGLE PROJECTION

A
PAPER SIZE



- NOTES:
- INSTALLATION INSTRUCTIONS:
 - DRILL OR PUNCH INSTALLATION HOLE.
 - PLACE FERRULE INTO INSTALLATION HOLE.
 - PROVIDE SOLID BACK-UP BEHIND HOLE WITH CLEARANCE HOLE FOR END CAP.
 - PRESS ON HEAD OF KNOB/STUD SUBASSEMBLY UNTIL SHOULDER OF FERRULE IS FIRMLY AGAINST OUTER PANEL.
 - PUNCH CANNOT TOUCH PLASTIC DURING INSTALLATION.
 - MATERIAL AND FINISH:
 - KNOB - PC/ABS, BLACK
 - STUD - HARDENED STEEL, ZINC PLATE PLUS SEALER
 - FERRULE - ALUMINUM, NATURAL
 - ENDCAP - STEEL, ZINC PLATE PLUS SEALER
 - SPRING - STAINLESS STEEL, PASSIVATED
 - GATE NOT ORIENTED WITH FRAME BREAK.
 - FLASH HEIGHT GREATER THAN .012 NOT ACCEPTABLE.
 - SURFACE IMPERFECTIONS: INSPECT PARTS FROM 2 FEET FOR 3 SECONDS. FOUR SURFACE IMPERFECTIONS MAX PER PART ALLOWED. SURFACE IMPERFECTIONS TO BE NO LARGER THAN .090 IN DIAMETER, HEIGHT, OR WIDTH.
 - PARTS SHIPPED BULK.
 - PART NUMBER SUFFIX "EEE" = KNOB COLOR
-000 = BLACK
(FOR ADDITIONAL COLORS SEE J-47-0-3)



PART NUMBER: 56-270-1-EEE SHOWN

FLARING TOOL DETAIL