

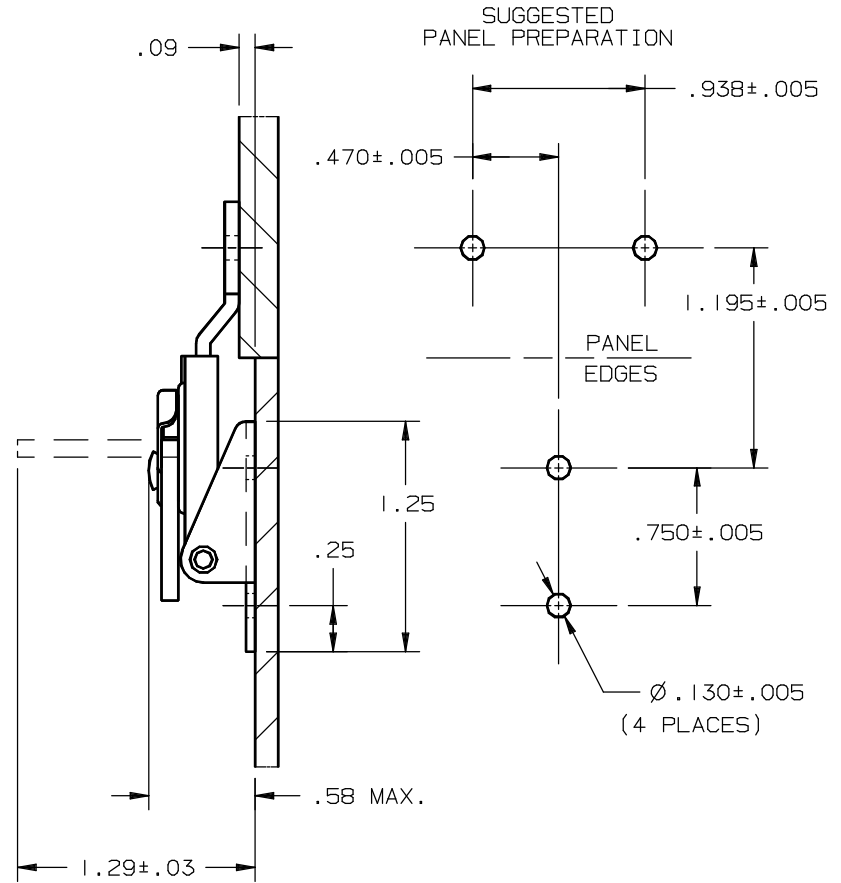
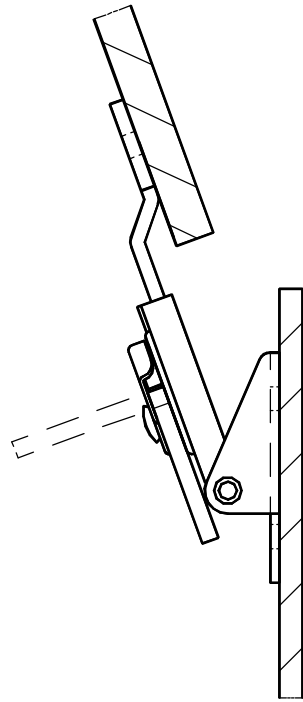
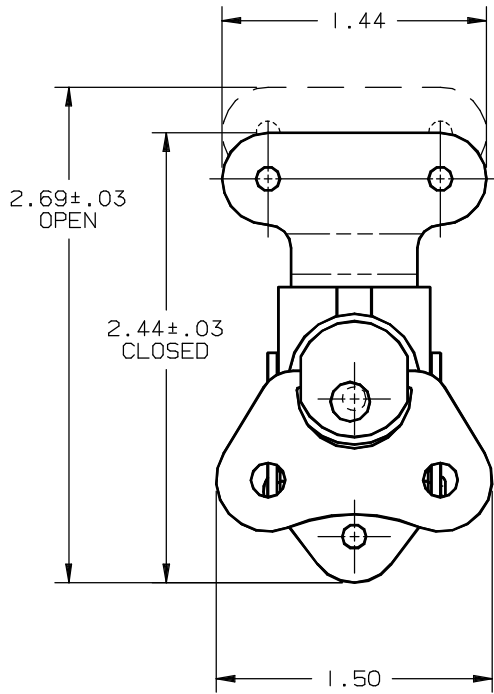


# # 3 LINK LOCK - RIVETED

DATE	DRAWN	CHKD	SCALE	DRAWING NUMBER
080CT96	DHN		1 : 1	J-K3-1746

REV.	DATE	BY-CHKD	REVISIONS	PART NUMBER	MATERIAL	FINISH
A	04DEC96	DHN	PRN: K3-156	K3-1746-07	SEE NOTE A	SEE NOTE B
				K3-1746-52	STAINLESS STEEL	NATURAL
				K3-1746-82	SEE NOTE A	SEE NOTE C

- NOTE A - ANCHOR PLATE, HOUSING, WING, UPPER CAM, LOWER CAM, AND ANCHOR PLATE RIVET ARE CARBON STEEL. SLIDE IS HARDENED ALLOY STEEL. CAP AND CAM RIVET ARE STAINLESS STEEL.  
 B - ZINC PLATE, BRIGHT CHROMATE DIP  
 C - ZINC NICKEL PLATE, BLACK CHROMATE



FORMAT A | MAR 94

PROPRIETARY ITEM - EXCEPT FOR USES EXPRESSLY GRANTED IN WRITING INFORMATION DISCLOSED HEREON IS CONFIDENTIAL AND ALL RIGHTS PATENT AND OTHERWISE ARE RESERVED BY SOUTHCO, INC.

DIMENSIONS ARE IN INCHES

DIMENSIONS WITHOUT TOLERANCES ARE FOR REFERENCE ONLY

DRAWING NUMBER  
J-K3-1746