

# southco®

PROPRIETARY ITEM - EXCEPT FOR USES EXPRESSLY GRANTED IN WRITING INFORMATION DISCLOSED HEREON IS CONFIDENTIAL AND ALL RIGHTS PATENT AND OTHERWISE ARE RESERVED BY SOUTHCO, INC.

## No. K3 LINK LOCK - RIVETED

DATE	DRAWN	CHKD	SCALE	DRAWING NUMBER
17JUN92	PEK		1:1	J-K3-1625

REV	DATE	DRAWN/CHKD	DESCRIPTION	PART NUMBER	MATERIAL	FINISH
A	13NOV95	PCB/CHW	PRN: K3-89	K3-1625-07	SEE NOTE A	ZINC PLATE, BRIGHT CHROME DIP
B	15JUL2004	VN1/MDY	PRN: P2004-0758	K3-1625-44	SEE NOTE A	BRIGHT NICKEL PLATE
				K3-1625-49	SEE NOTE A	BRIGHT CHROMATE
				K3-1625-52	STAINLESS STEEL	NATURAL
				K3-1625-55	STAINLESS STEEL	BLACK OXIDE
				K3-1625-82	SEE NOTE A	SEE NOTE B

**INCHES**

ALL DIMENSIONS WITHOUT TOLERANCES ARE FOR REFERENCE ONLY.

THIRD ANGLE PROJECTION

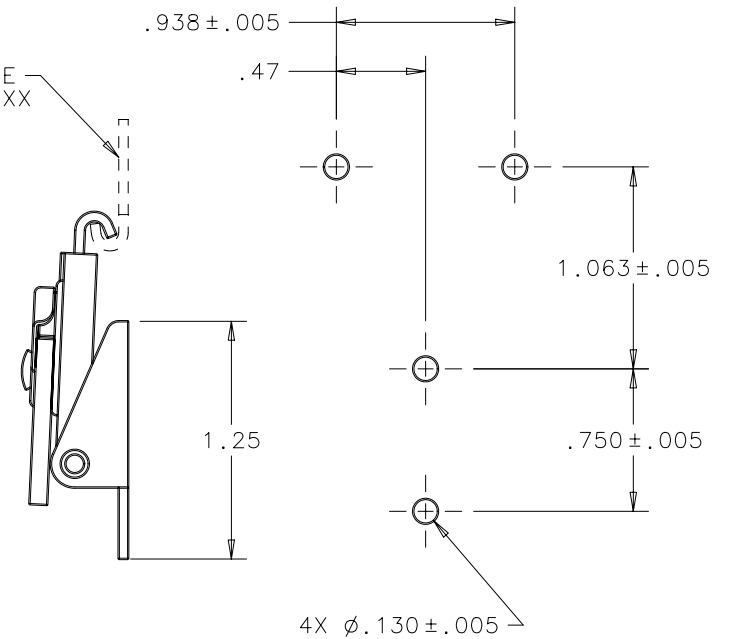
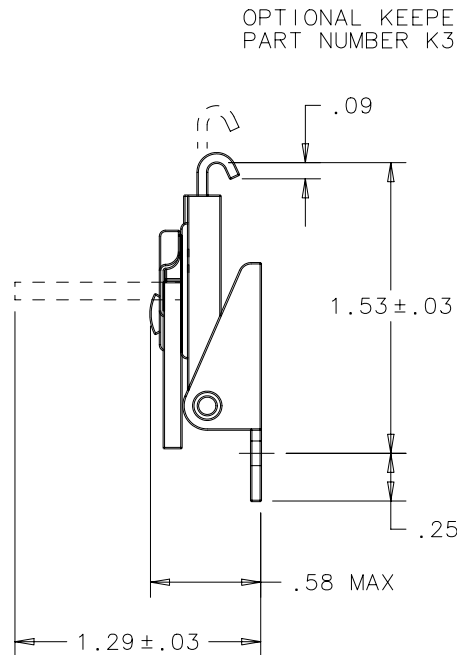
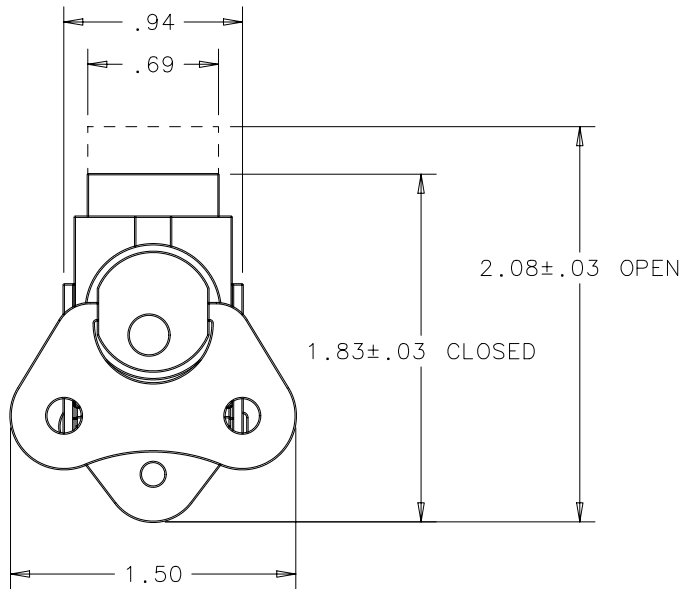
A PAPER SIZE

**NOTES:**

**A. MATERIAL**

- ANCHOR PLATE, HOUSING, WING, UPPER CAM, ANCHOR PLATE RIVET AND LOWER CAM: CARBON STEEL
- SLIDE: HARDENED ALLOY STEEL
- CAP AND CAM RIVET: STAINLESS STEEL

**B. K3-1625-82 FINISH: NICKEL PLATE PLUS ZINC, BLACK CHROMATE**



**PANEL PREPARATION**