

6

5

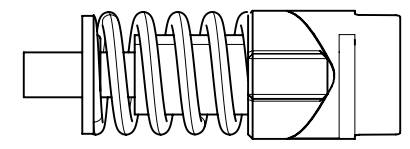
4

3

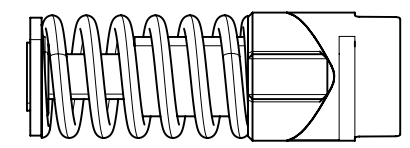
2

1

REVISION HISTORY			
REV	DATE	BY	DESCRIPTION
A	09JUN08	JT	
B	11NOV08	JT	PRN: P2008-1234
C	09SEP09	JT	PRN: P2009-1069
D	12JAN10	JT	PRN: P2010-0046

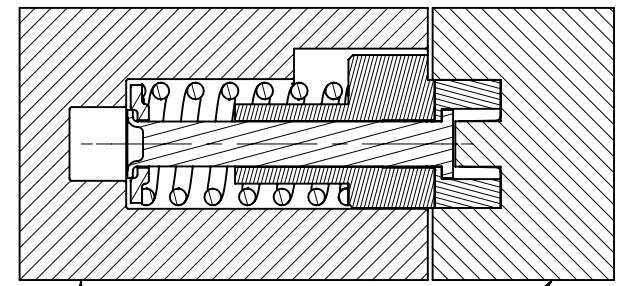


SPRING COMPRESSED FOR INSTALLATION



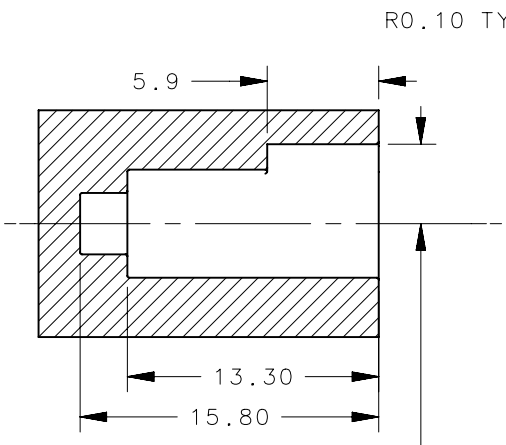
SPRING AS ASSEMBLED

CROSS-SECTIONAL VIEW OF FULLY INSTALLED HINGE

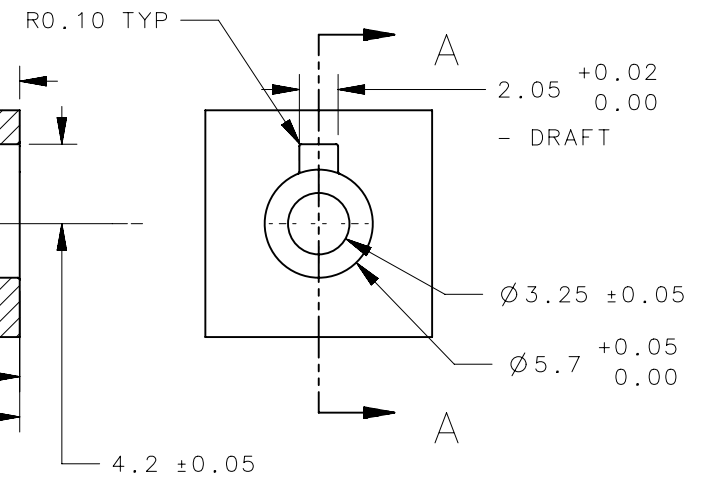


DRIVER (ROTATES ABOUT CENTER AXIS)
FIXED PORTION (NON-ROTATIONAL)

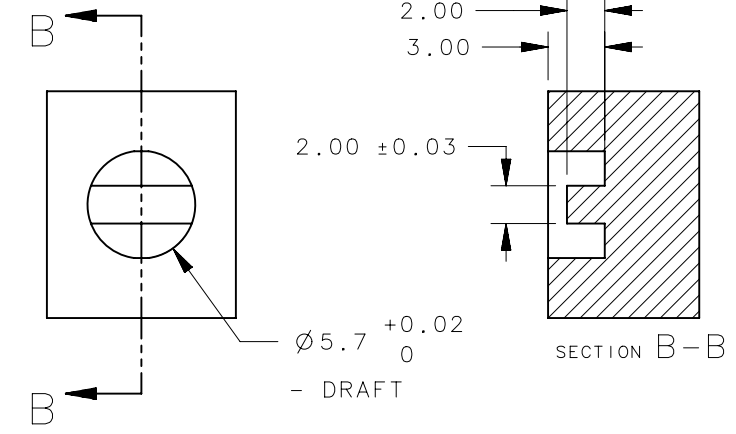
FIXED PORTION (NON-ROTATIONAL)



SECTION A-A

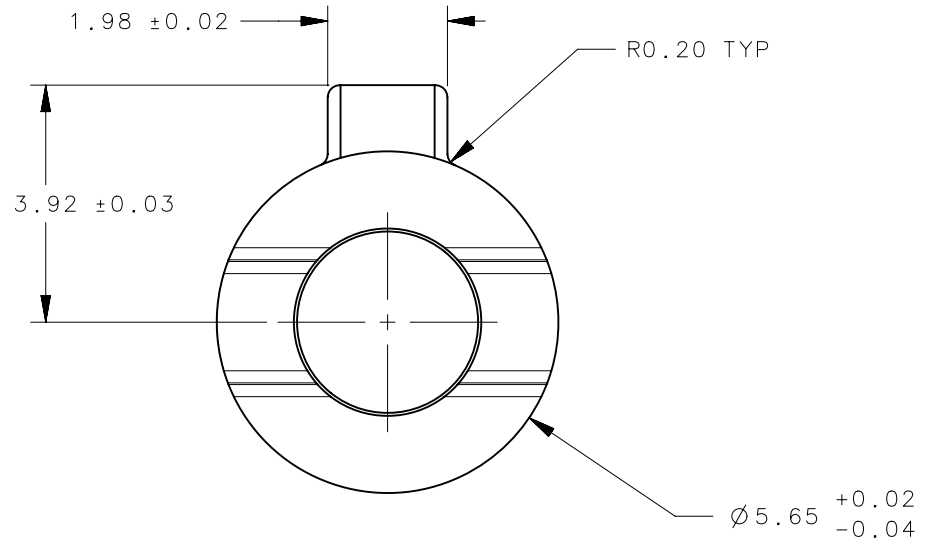
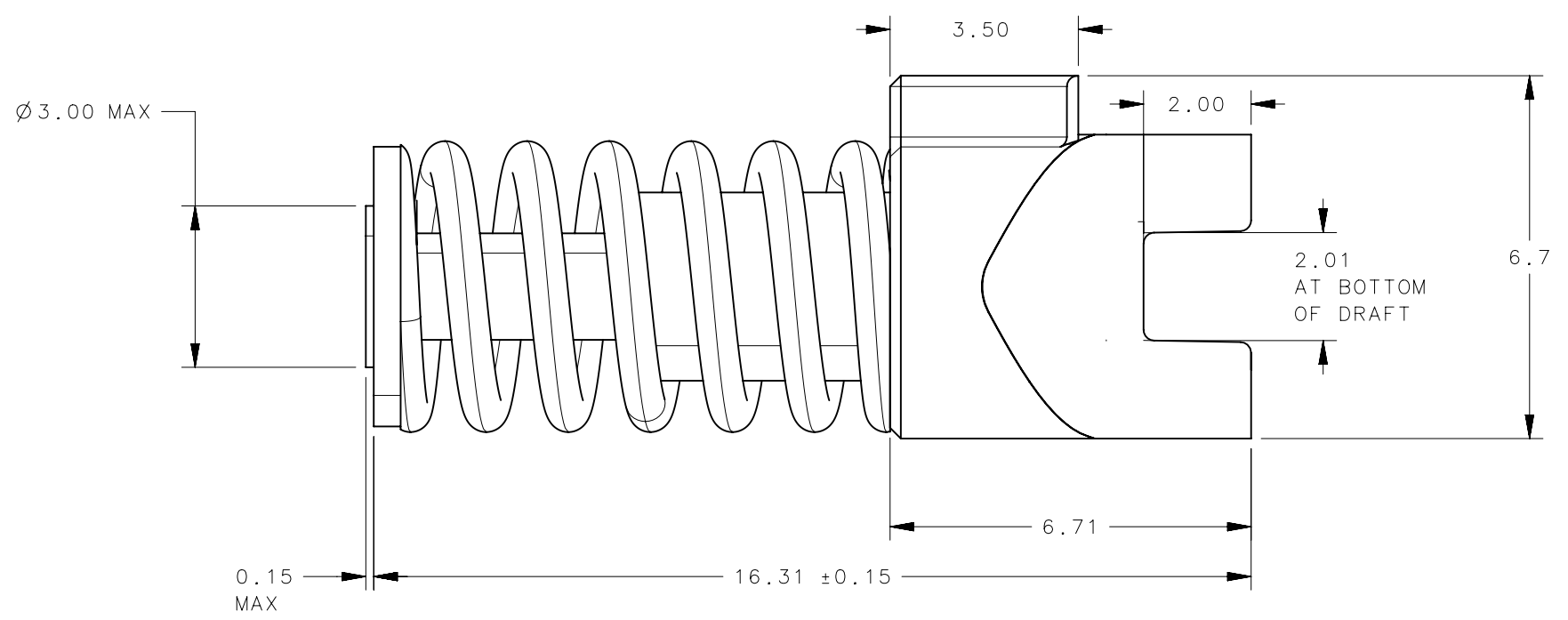


DRIVER (ROTATES ABOUT CENTER AXIS)



SECTION B-B

INSTALLATION LAYOUT



SPECIFICATIONS:

1. ROTATES BOTH DIRECTIONS 180° TO SNAP
2. EQUILIBRIUM ANGLE - 90°
3. MAX NOMINAL TORQUE AT 90° = .035 N-m (0.3 in-lbf)
4. CYCLE LIFE = 20,000 CYCLES WITH LESS THAN 20% TORQUE CHANGE FROM MANUFACTURED VALUE
5. MATERIALS USED: STEEL ALLOYS, PLASTIC
6. HINGE TO BE ORDERED AS G7-6A-3P-1

	THIRD ANGLE PROJECTION
	MILLIMETERS [IN]
SURFACE AREA	XXXXXmm ²
VOLUME	XXXXXmm ³
PROPRIETARY ITEM	
EXCEPT FOR USES EXPRESSLY GRANTED IN WRITING, INFORMATION DISCLOSED HEREON IS CONFIDENTIAL AND ALL RIGHTS, PATENT AND OTHERWISE, ARE RESERVED BY SOUTHCO, INC.	
PER ASME Y14.5M-1994	

southco [®]			
CONNECT · CREATE · INNOVATE			
DESCRIPTION		BI-STABLE HINGE	
SIZE	SYSTEM	DWG NO.	
B	NX	J-G7-6A-3P-1	
DRAWN BY	DATE	SCALE	SHEET
JT	02MAY08	1:1	1 OF 1

6

5

4

3

2

1