

southco

PROPRIETARY ITEM - EXCEPT FOR USES EXPRESSLY GRANTED IN WRITING INFORMATION DISCLOSED HEREON IS CONFIDENTIAL AND ALL RIGHTS PATENT AND OTHERWISE ARE RESERVED BY SOUTHCO, INC.

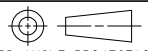
EH COUNTERSUNK HINGE - 40mm X 40mm

DATE	DRAWN	CHKD	SCALE	DRAWING NUMBER
12JUL2005	AJH		1:1	J-EH-5A-4V4

REV	DATE	DRAWN/CHKD	DESCRIPTION	ITEM	PART NUMBER	MATERIAL	FINISH
A	12JUL2005	AJH/RLR	PRN: P2005-0853	HINGE ASSEMBLY	EH-5A-4V4-38	-	-
B	12AUG2005	MJS/RLR	PRN: P2005-1047	LEAF (2)	-	DIE CAST ZINC	CHROME PLATED
C	16SEP2005	MDY/AJH	PRN: P2005-1234	KNURLED PIN	-	STAINLESS STEEL	NATURAL
D	07JUN2006	AJH/MJS	PRN: P2006-0769				
E	04APR2013	DJK/CMS	PRN: P2013-0704	HINGE ASSEMBLY	EH-5A-4V4-50	-	-
F	15JAN2018	CMS/MSR	PRN: P2017-0168	LEAF (2)	-	DIE CAST ZINC	BLACK POWDER COATED
				KNURLED PIN	-	STAINLESS STEEL	NATURAL

MILLIMETERS

ALL DIMENSIONS WITHOUT TOLERANCES ARE FOR REFERENCE ONLY.

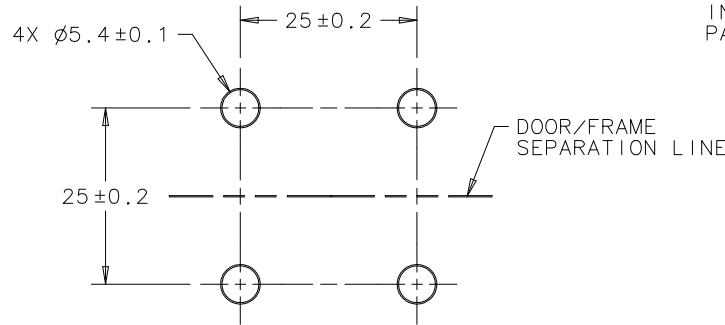


THIRD ANGLE PROJECTION

A4 PAPER SIZE

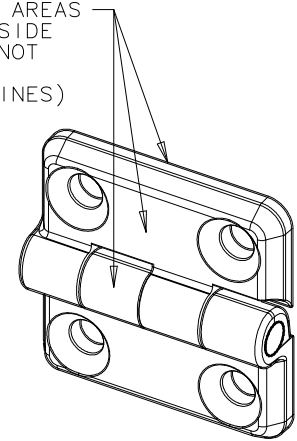
NOTES:

- A. COSMETIC SPECIFICATION:
 CLASS "B" - NON-DECORATIVE AREAS IN CONTINUOUS VIEW AFTER INSTALLATION.
 CLASS "D" - AREAS SELDOM OR NEVER VIEW AFTER INSTALLATION. THIS COULD INCLUDE PARTING LINES AND EJECTOR PIN MARKS
- B. PACKAGING: TRAY PACKAGED SHIPPED (50) PER BOX.
- C. RoHS COMPLIANT.
- D. SUFFIX -P1 DENOTES ONE HINGE PER BAG (S-34-1X-A).



PANEL PREPARATION

CLASS "B" AREAS (TOP AND SIDE SURFACES NOT INCLUDING PARTING LINES)



CLASS "D" AREAS (BOTTOM SURFACES)

