

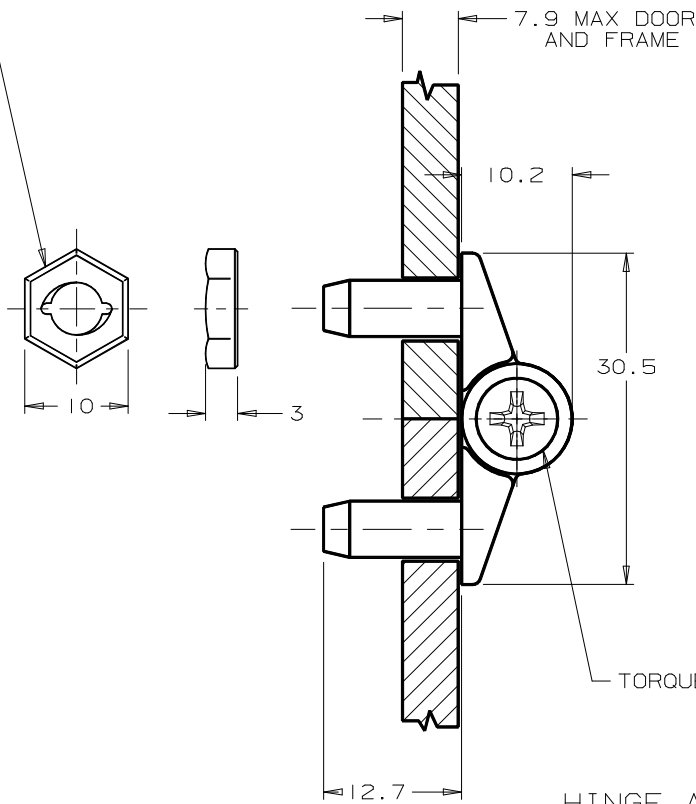


ADJUSTABLE HINGE

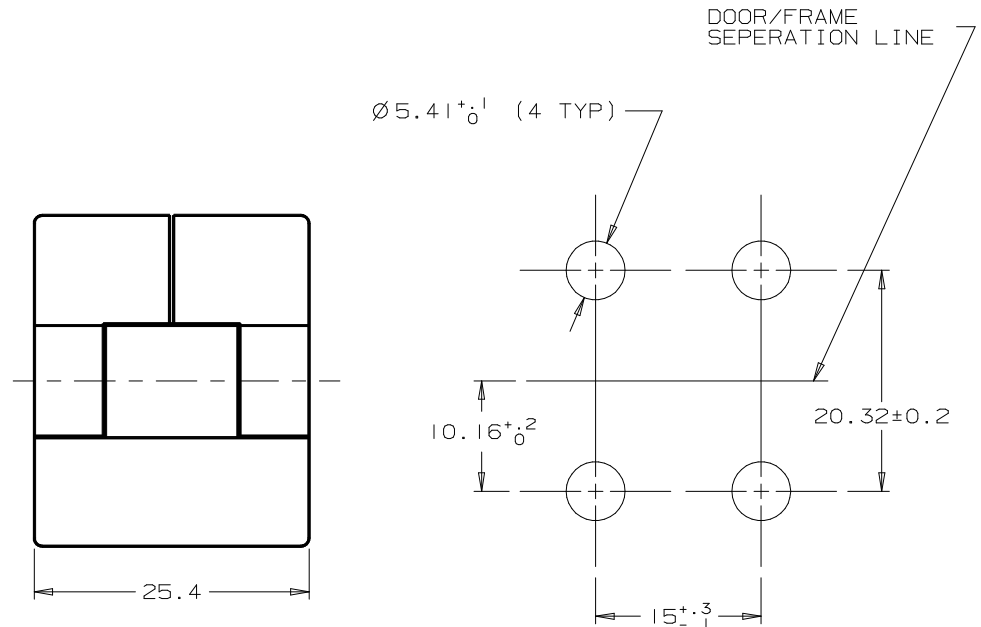
DATE	DRAWN	CHKD	SCALE	DRAWING NUMBER
10SEPT84	RHB		1.5:1	J-E6-10-101-30

REV.	DATE	BY-CHKD	REVISIONS	ITEM	PART No.	QUANTITY	MATERIAL	FINISH
6	13 JUN 97	JGK	PRN: E6-96	ASSEMBLY	E6-10-101-30	-	-	-
				HINGE ASSEMBLY	-	1	ACETAL	COLONIAL WHITE
				MOUNTING NUTS	-	4	STEEL	ZINC PLATE

MOUNTING NUT - FOUR SUPPLIED WITH EACH ASSEMBLY. USE NUT DRIVER TO INSTALL. INSTALL WITH TURNED-UP SIDE FACING AWAY FROM DOOR OR FRAME.



HINGE ASSEMBLY



DOOR AND FRAME PREPARATION

FORMAT 1 MAR 94

PROPRIETARY ITEM - EXCEPT FOR USES EXPRESSLY GRANTED IN WRITING INFORMATION DISCLOSED HEREON IS CONFIDENTIAL AND ALL RIGHTS PATENT AND OTHERWISE ARE RESERVED BY SOUTHCO, INC.

ALL DIMENSIONS ARE IN MILLIMETERS.
ALL DIMENSIONS WITHOUT TOLERANCES ARE REFERENCE.
THIRD ANGLE PROJECTION DRAWING.

DRAWING NUMBER
J-E6-10-101-30