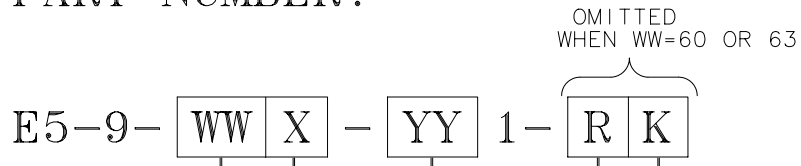


REV	DATE	DRAWN/CHKD	DESCRIPTION
G	13SEP2011	MJS/DM	PRN: P2011-1192
H	22SEP2011	MJS/DM	PRN: P2011-1228

PART NUMBER:



ACTUATION STYLE (SEE BELOW)

CAM STYLE
UU = ASSEMBLED WITH NO CAM (SEE NOTE B)

NUMERICAL = ASSEMBLED WITH CAM USING YY VALUES (SEE TABLE BELOW)

MATERIAL AND FINISH:
2 = DIE CAST ZINC, BRIGHT CHROME PLATE
5 = DIE CAST ZINC, BLACK POWDER COATED

KEY REMOVAL:
1 = LOCKED/UNLOCKED POSITION

MILLIMETERS

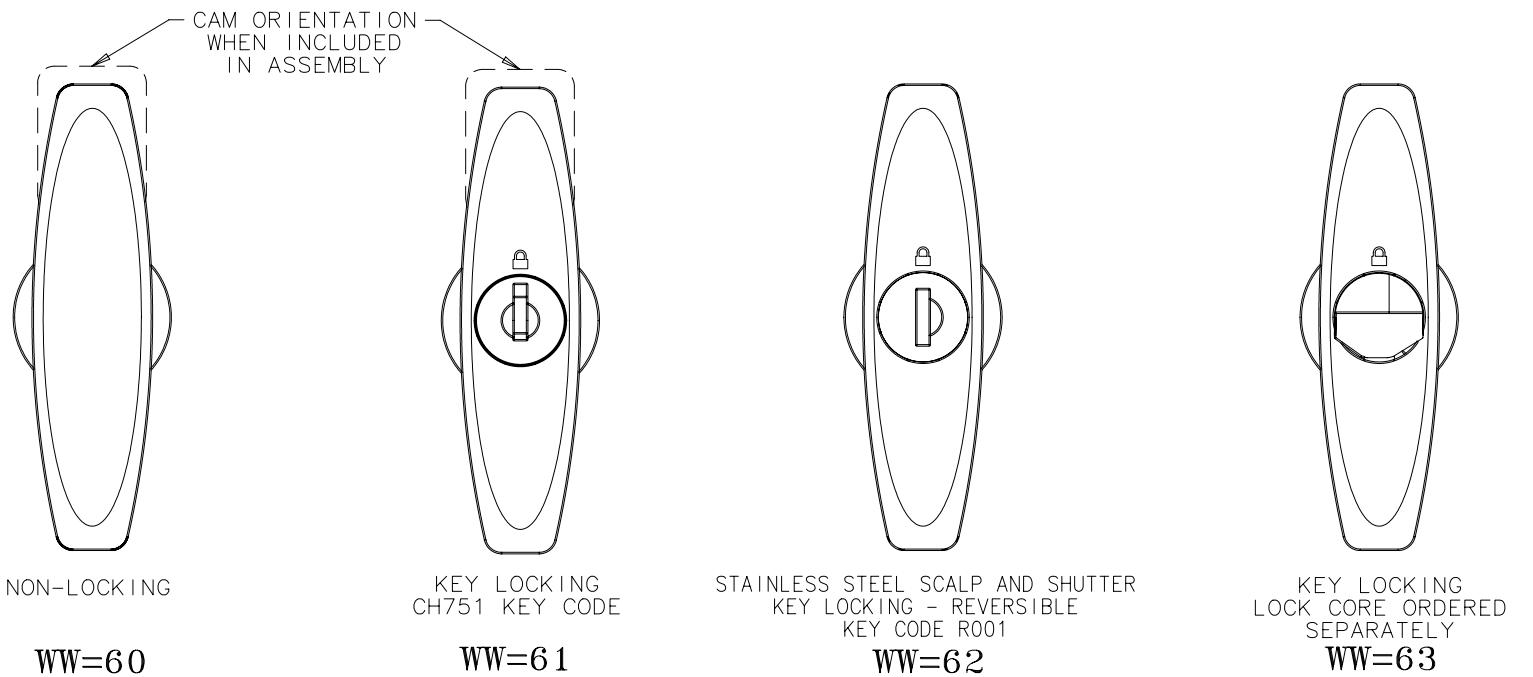
ALL DIMENSIONS WITHOUT TOLERANCES ARE FOR REFERENCE ONLY

THIRD ANGLE PROJECTION
A3 PAPER SIZE
SHEET 1 OF 4

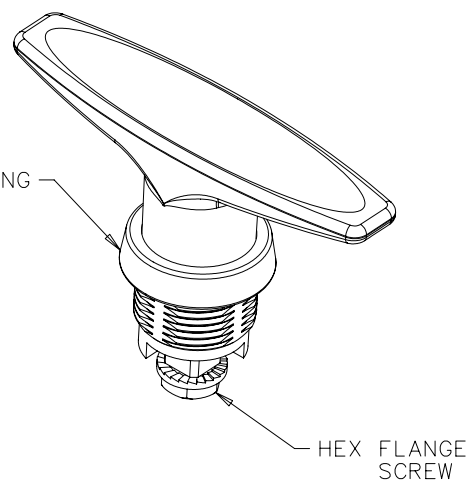
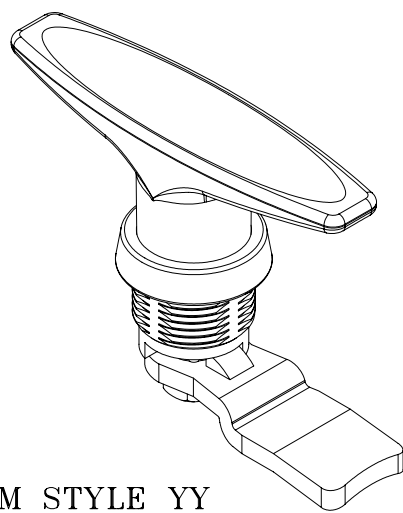
NOTES:

- A. DRIVER AND HOUSING ARE POWDER COATED BLACK ABOVE SECTION A-A (2 THREADS MAX. ON HOUSING.)
- B. "UU" CAM STYLE INDICATES THAT THE CAM IS ORDERED AND SHIPPED SEPARATELY.
- C. FOR CAM PART NUMBER SEE GRIP TABLE.
- D. FOR KEY INFORMATION REFER TO J-PK-10-01 (PLASTIC OVERMOLDED.)
- E. COSMETIC SPECIFICATION:
ALL SURFACES ABOVE A-A CONFORM TO A CLASS "B" DESIGNATION AS DESCRIBED IN SOUTHCO COSMETIC SPECIFICATION:
S-121-01 FOR X = 2
S-121-03 FOR X = 5

WW ACTUATION STYLE

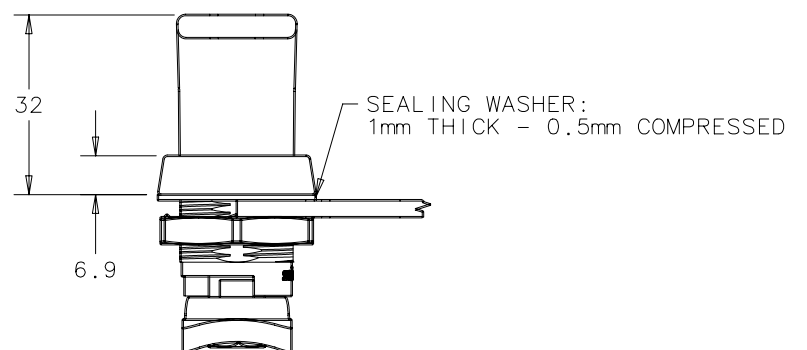
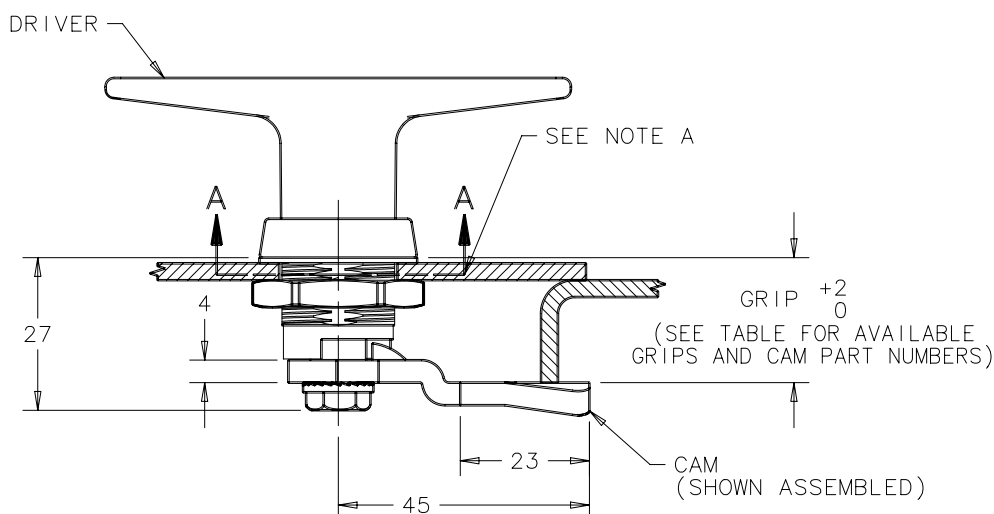
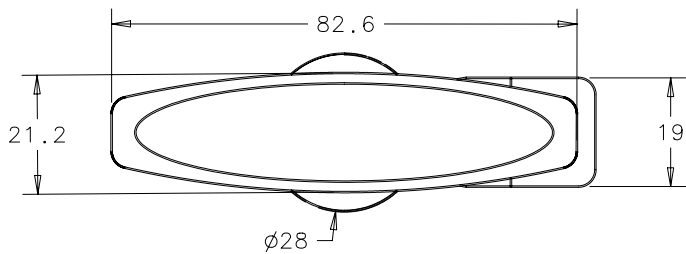


YY CAM STYLE



CAM PART NUMBER: E5-60YY

YY	GRIP
03	4mm
04	6mm
05	8mm
06	10mm
07	12mm
08	14mm
09	16mm
10	18mm
11	20mm
12	22mm
13	24mm
14	26mm
15	28mm
16	30mm
17	32mm
18	34mm
19	36mm
20	38mm
21	40mm
22	42mm



REV	DATE	DRAWN/CHKD	DESCRIPTION
G	13SEP2011	MJS/DM	PRN: P2011-1192
H	22SEP2011	MJS/DM	PRN: P2011-1228

MILLIMETERS

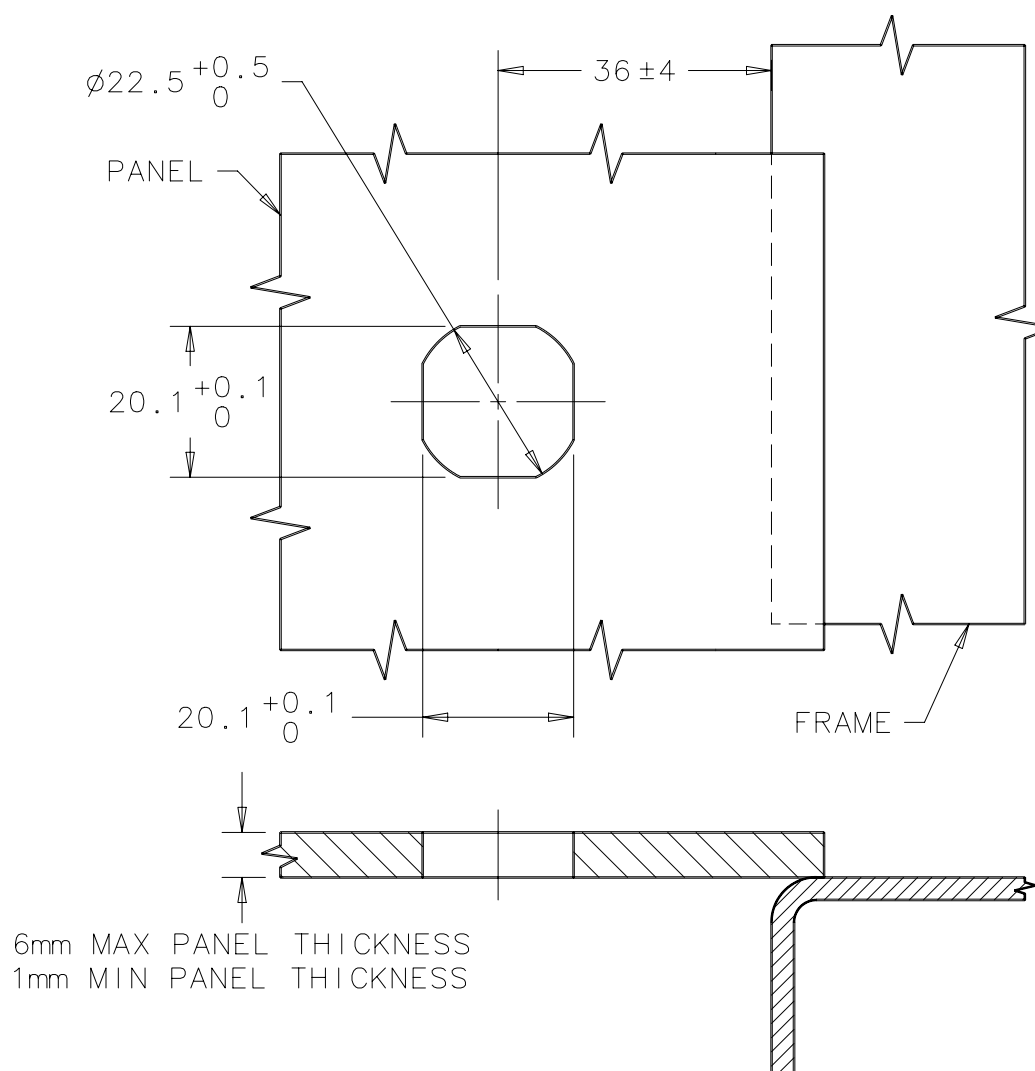
ALL DIMENSIONS WITHOUT TOLERANCES ARE FOR REFERENCE ONLY

THIRD ANGLE PROJECTION
A3 PAPER SIZE
SHEET 2 OF 4

MATERIAL AND FINISH:

COMPONENT	MATERIAL DESCRIPTION	FINISH DESCRIPTION	REMARKS
DRIVER	DIE CAST ZINC	CHROME PLATED	X = 2
		BLACK POWDER COAT	X = 5 (SEE NOTE A)
HOUSING	DIE CAST ZINC	CHROME PLATED	X = 2
		BLACK POWDER COAT	X = 5 (SEE NOTE A)
CAM	STEEL	ZINC PLATE, BRIGHT CHROMATE	
O-RINGS	NITRILE	BLACK	
SEALING WASHER	POLYURETHANE	BLACK	
HEX FLANGE SCREW	LOW CARBON STEEL	ZINC PLATE, BRIGHT CHROMATE	
MOUNTING NUT	DIE CAST ZINC	ZINC PLATE, BRIGHT CHROMATE	
LOCK CORE	DIE CAST ZINC	BLACK POWDER COAT	KEY LOCKING WITH LOCK CORE ASSEMBLY ONLY (WW=61 & WW=62)
SHIPPING PLUG	POLYPROPYLENE	BLACK	KEY LOCKING, NO LOCK CORE (WW=63), ASSEMBLY ONLY
LOCK EXTENDER	DIE CAST ZINC	TRIVALENT CHROMATE	KEY LOCKING ASSEMBLY ONLY (WW=61, WW=62, WW=63)
LOCK PAWL	STEEL	ZINC PLATE	KEY LOCKING ASSEMBLY ONLY (WW=61, WW=62, WW=63)

PANEL PREPARATION

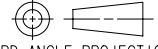


REV	DATE	DRAWN/CHKD	DESCRIPTION
G	13SEP2011	MJS/DM	PRN: P2011-1192
H	22SEP2011	MJS/DM	PRN: P2011-1228

LATCH INSTALLATION INTO PANEL

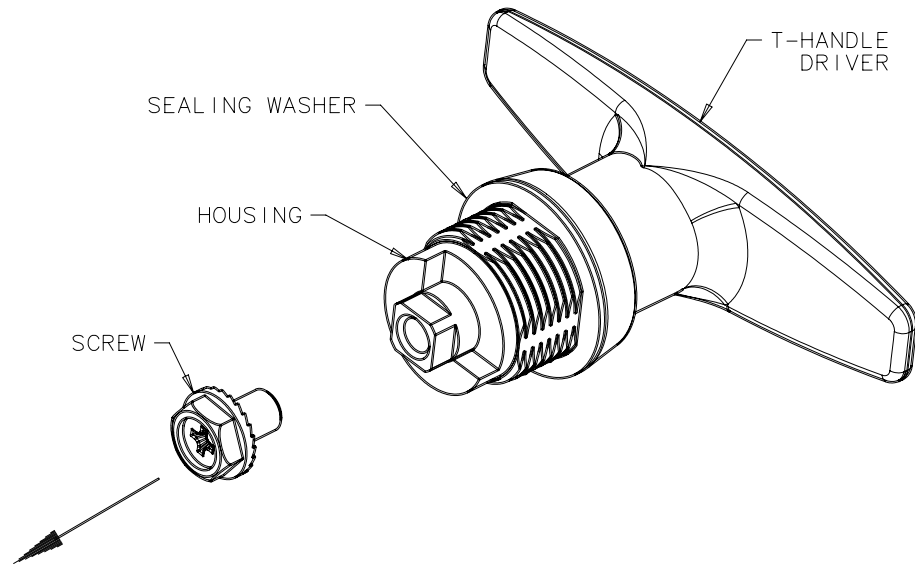
MILLIMETERS

ALL DIMENSIONS WITHOUT TOLERANCES ARE FOR REFERENCE ONLY

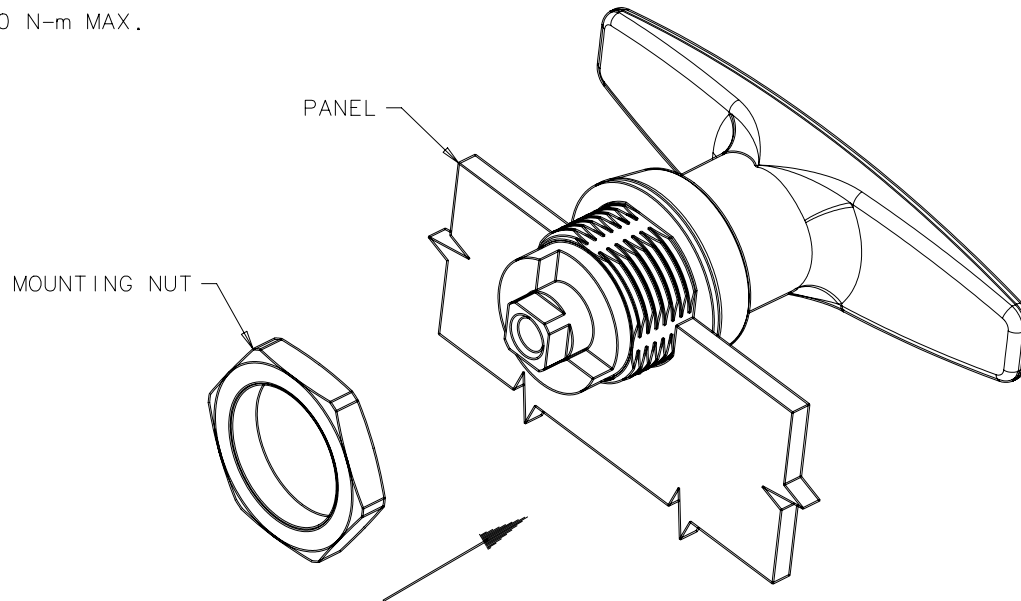
	A3 PAPER SIZE
SHEET 3 OF 4	

INSTALLATION METHOD:

1. REMOVE SCREW FROM HOUSING.
2. PLACE SEALING WASHER ONTO LATCH HOUSING AND PLACE THROUGH MOUNTING HOLE.

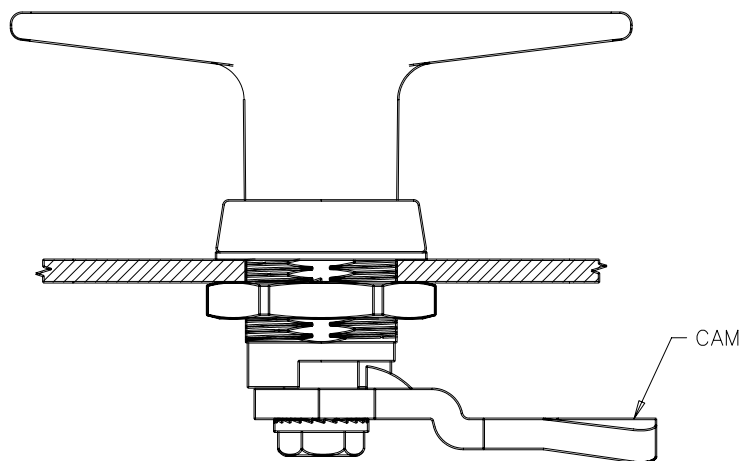


3. INSTALL MOUNTING NUT AND TIGHTEN TO 10 N-m MAX.



4. ATTACH CAM TO LATCH ASSEMBLY. ASSURE THAT CAM IS ORIENTED IN DESIRED POSITION.
5. INSTALL SCREW. TIGHTEN TO 5 N-m USING 10mm HEX, No. 2 PHILLIPS OR SLOTTED DRIVER.

NOTE: LATCHES ORDERED WITH CAM ASSEMBLED MAY REQUIRE REMOVING THE CAM TO INSTALL INTO PANEL.



REV	DATE	DRAWN/CHKD	DESCRIPTION
G	13SEP2011	MJS/DM	PRN: P2011-1192
H	22SEP2011	MJS/DM	PRN: P2011-1228

MILLIMETERS

ALL DIMENSIONS WITHOUT TOLERANCES ARE FOR REFERENCE ONLY

THIRD ANGLE PROJECTION
A3 PAPER SIZE
SHEET 4 OF 4

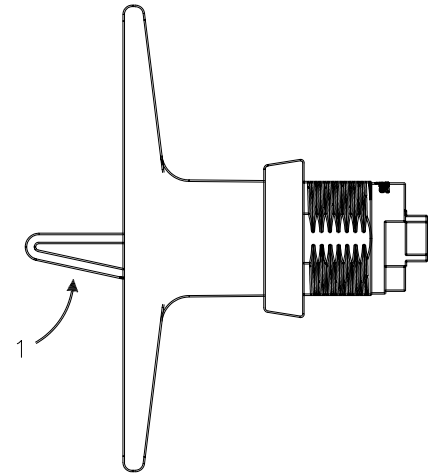
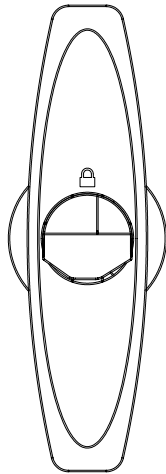
INSTRUCTIONS FOR LOCKING ASSEMBLY

SOLD WITHOUT LOCK CORE:

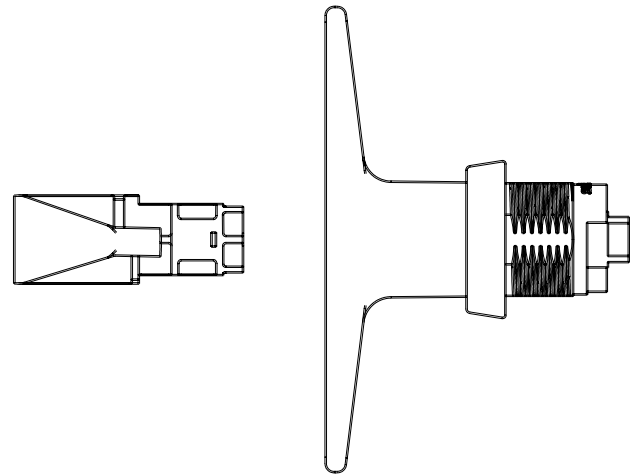
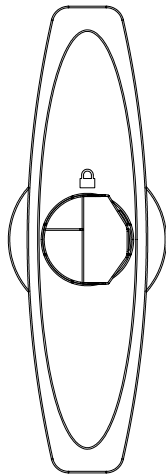
(PART No. E5-9-635-UU1-10)

LOCK PLUG INSTALLATION -

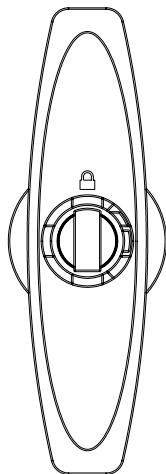
1. SQUEEZE SPRING LEG TOWARD CENTER OF PLUG.



2. WITH SPRING LEG DEPRESSED, ROTATE PLUG 90° COUNTER CLOCKWISE AND PULL PLUG OUT OF DRIVER.



3. VERIFY ORIENTATION OF LOCK EXTENDER AS SHOWN.



4. WITH WAFERS PROTRUDING 90° CLOCKWISE FROM LOCK SYMBOL, INSERT LOCK CORE INTO DRIVER.
5. INSERT KEY INTO LOCK CORE AND TURN 90° CLOCKWISE TO VERIFY LOCK PLUG IS FULLY SEATED AND OPERATING PROPERLY AFTER INSTALLATION.

