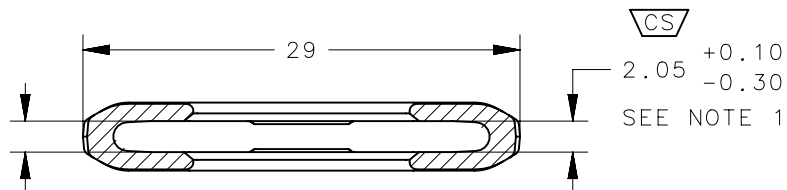
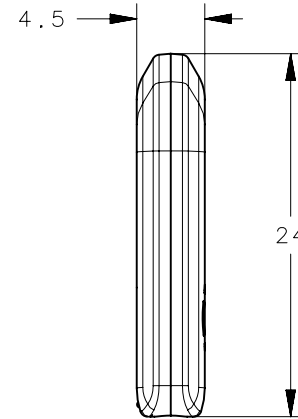
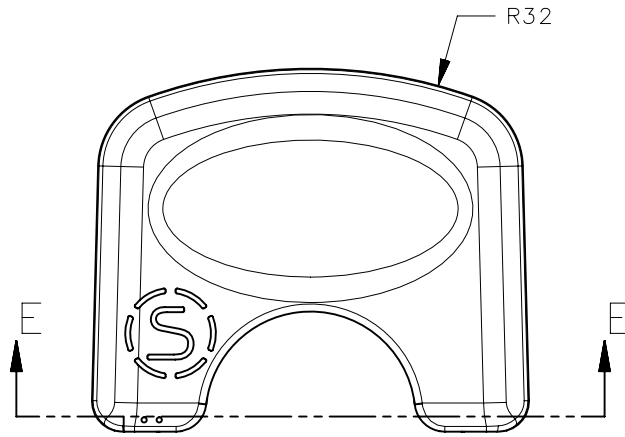


REVISION HISTORY			
REV	DATE	BY	DESCRIPTION
B	27JAN2012	MHO	PRN: P2012-0126



CS  
2.05 +0.10  
-0.30  
SEE NOTE 1

SECTION E-E

D8-6-B-000	POM	BLACK
PART NUMBER	MATERIAL	FINISH

THIRD ANGLE PROJECTION				<b>southco</b> <sup>®</sup> CONNECT • CREATE • INNOVATE		
MILLIMETERS [IN]						
TOLERANCES UNLESS OTHERWISE NOTED	DESCRIPTION					
ALL DIMENSIONS WITHOUT TOLERANCES ARE FOR REFERENCE ONLY.	CLIP-ON BAIL COVER D8 SIZE 6 & D2 SIZE 7					
PROPRIETARY ITEM EXCEPT FOR USES EXPRESSLY GRANTED IN WRITING, INFORMATION DISCLOSED HEREON IS CONFIDENTIAL AND ALL RIGHTS, PATENT AND OTHERWISE, ARE RESERVED BY SOUTHCO, INC.	SIZE A4	SYSTEM NX	DWG NO. J-D8-6-B-000			
PER ASME Y14.5M-1994	DRAWN BY MHO	DATE 27JAN2012	SCALE 2:1	SHEET 1 OF 1		

NOTES:  
1. DIMENSION MEASURED USING INSERT