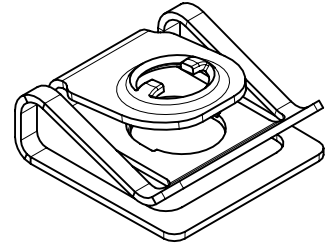
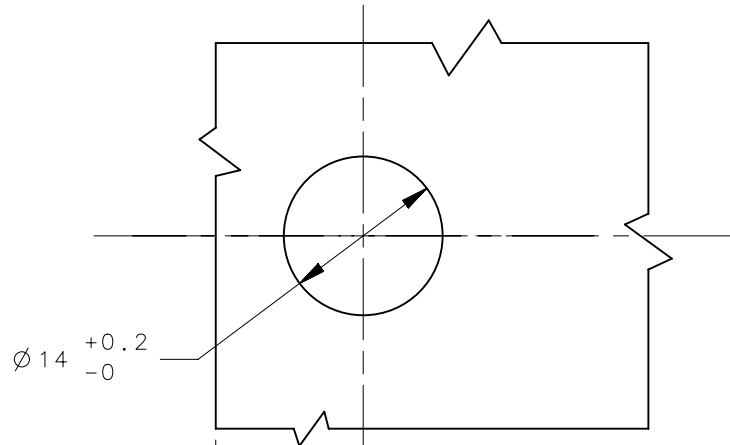
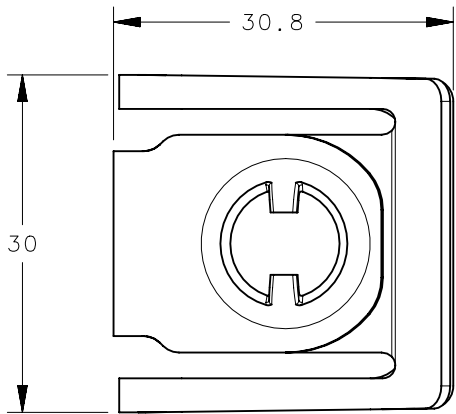
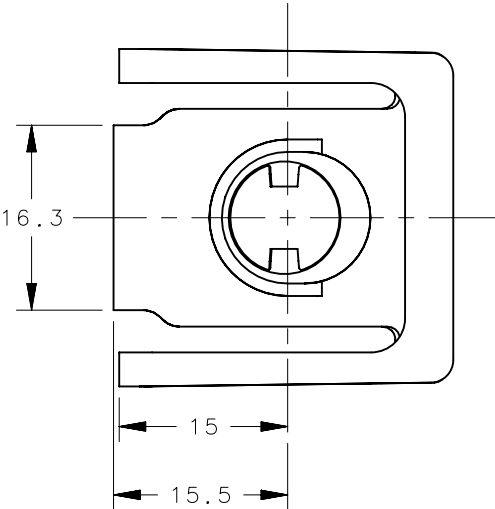
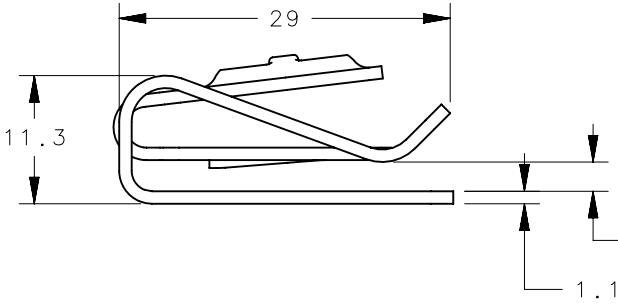


REVISION HISTORY			
REV	DATE	BY	DESCRIPTION
F	15JUN2022	GJL/MBT	P2022-1115



SCALE 1:1



D8-339-301-144	RECEPTACLE	CARBON STEEL	BLACK MAGNI 565
D8-339-301-131			BLACK ORGANIC
D8-339-301-139			BLACK ORGANIC-ULTRA PERFORMANCE
D8-339-301-199			ZINC NICKEL
D8-339-301-190			ZINC PLATE
D8-339-301-130			ZINC ORGANIC - SILVER
D8-339-301-121			ZINC IMMERSION COATING
PART NUMBER	TYPE OF COMPONENT	MATERIAL	FINISH

THIRD ANGLE PROJECTION		 CONNECT • CREATE • INNOVATE	
MILLIMETERS [IN]			
SURFACE AREA		DESCRIPTION	
VOLUME		RECEPTACLE SLIP-ON	
PROPRIETARY ITEM <small>EXCEPT FOR USES EXPRESSLY GRANTED IN WRITING, INFORMATION DISCLOSED HEREON IS CONFIDENTIAL AND ALL RIGHTS, PATENT AND OTHERWISE, ARE RESERVED BY SOUTHCO, INC.</small>		TOLERANCES UNLESS OTHERWISE NOTED ALL DIMENSIONS WITHOUT TOLERANCES ARE FOR REFERENCE ONLY.	SIZE A4 SYSTEM NX DWG NO. J-D8-339-301
PER ASME Y14.5M-1994		DRAWN BY ACH DATE 15SEP2010	SCALE 1.5:1 SHEET 1 OF 1