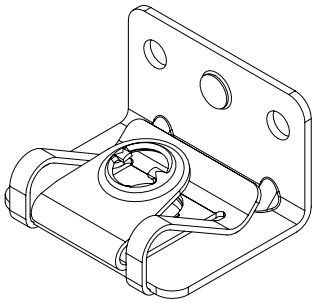
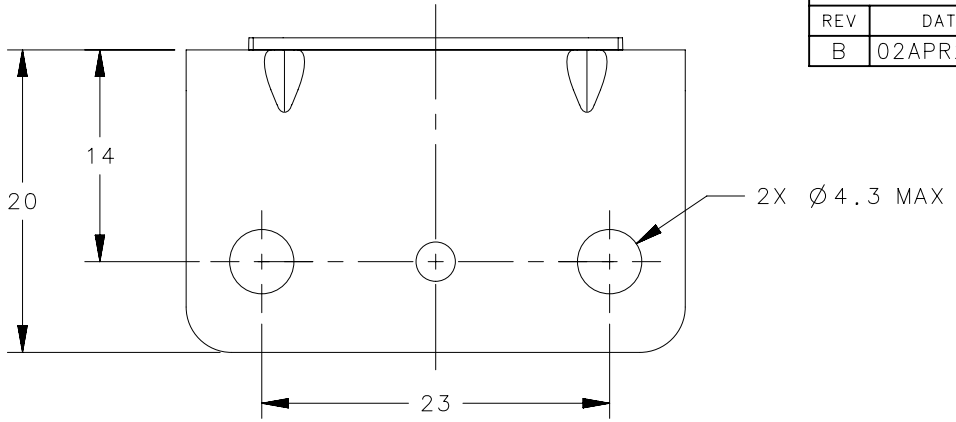
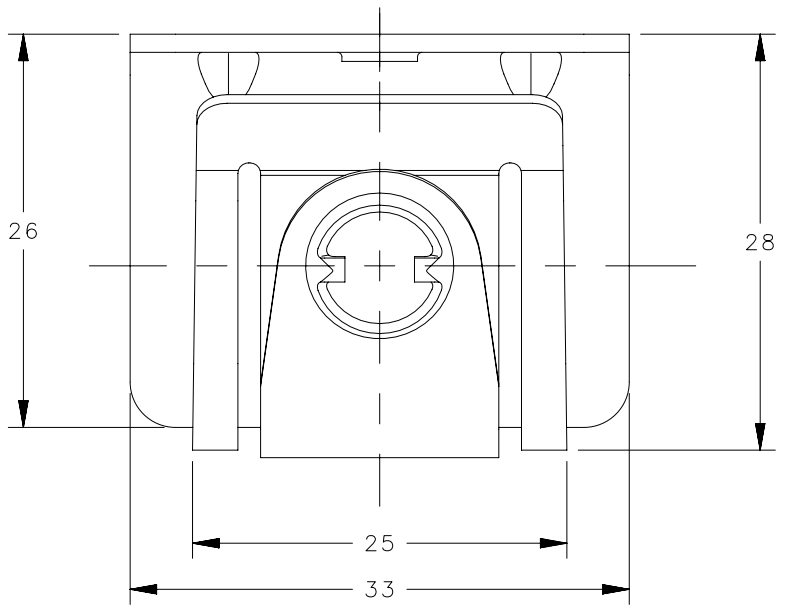
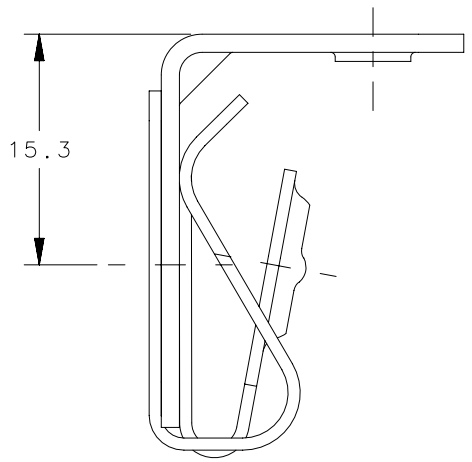


REVISION HISTORY			
REV	DATE	BY	DESCRIPTION
B	02APR2014	MWC/YGC	PRN: P2014-0731



SCALE 1:1



D8-336-310-121	PANEX SIZE 6 - SIDE MOUNT	CARBON STEEL	SILVER GEOMET
PART NUMBER	TYPE OF COMPONENT	MATERIAL	FINISH

THIRD ANGLE PROJECTION	
MILLIMETERS [IN]	
TOLERANCES UNLESS OTHERWISE NOTED	
ALL DIMENSIONS WITHOUT TOLERANCES ARE FOR REFERENCE ONLY.	
PROPRIETARY ITEM	
EXCEPT FOR USES EXPRESSLY GRANTED IN WRITING, INFORMATION DISCLOSED HEREON IS CONFIDENTIAL AND ALL RIGHTS, PATENT AND OTHERWISE, ARE RESERVED BY SOUTHCO, INC.	
PER ASME Y14.5M-1994	

southco [®] CONNECT • CREATE • INNOVATE			
DESCRIPTION Quick Access Fastener PANEX SIZE 6 - SIDE MOUNT			
SIZE A4	SYSTEM NX	DWG NO. J-D8-336-310	
DRAWN BY MJW	DATE 23MAR2009	SCALE 2:1	SHEET 1 OF 1