

southco

PROPRIETARY ITEM - EXCEPT FOR USES EXPRESSLY GRANTED IN WRITING INFORMATION DISCLOSED HEREON IS CONFIDENTIAL AND ALL RIGHTS PATENT AND OTHERWISE ARE RESERVED BY SOUTHCO, INC.

TITLE
RETAINER

DATE
04-11-09

DRAWN
DME

CHKD
LJ

SCALE
4:1

DRAWING NUMBER
J-D8-329-101-200

REV	DATE	DRAWN/CHKD	DESCRIPTION	PART NUMBER	MATERIAL	FINISH			
A	04-11-09	D. Etheridge	PRN P2009-1319	D8-329-101-200	STAINLESS STEEL	CLEAN			

MILLIMETERS

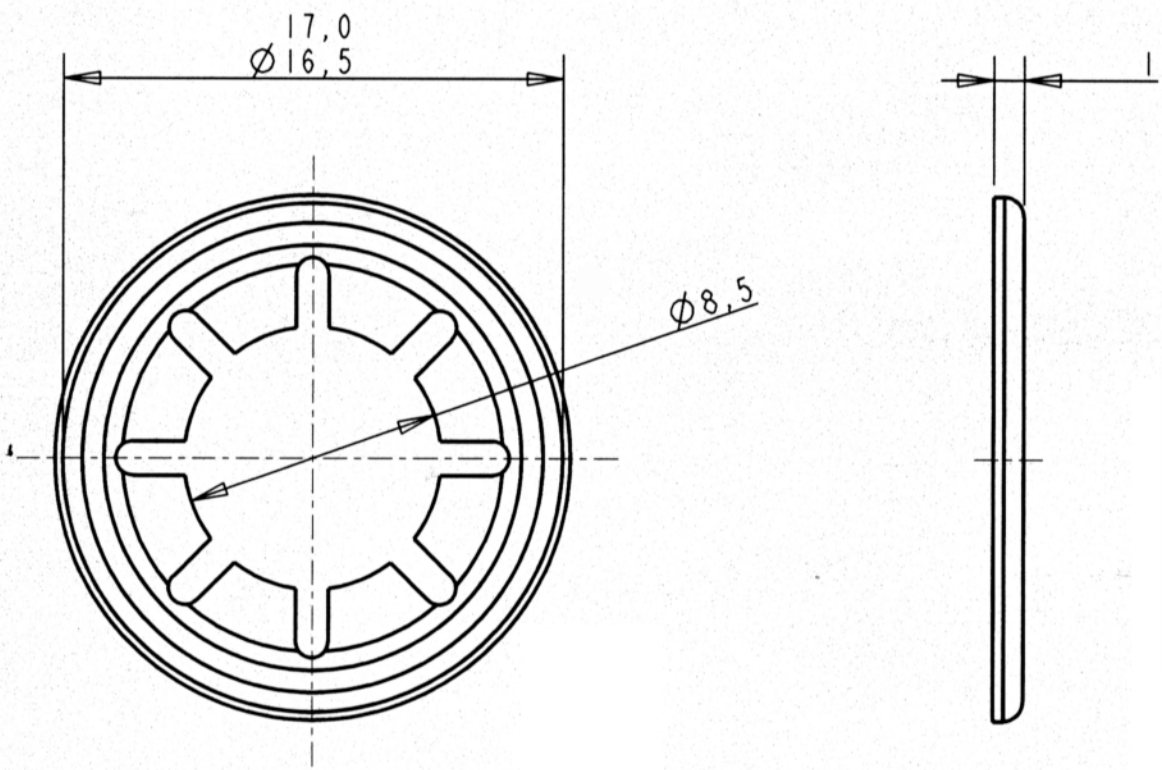
ALL UNTOLERANCED DIMENSIONS ARE FOR REFERENCE PURPOSES UNLESS OTHERWISE SPECIFIED

THIRD ANGLE PROJECTION

A4 PAPER SIZE

INDICATES DIMENSION WITH SIGNIFICANT CHARACTERISTIC

FILE No. XX



ACTUAL SIZE