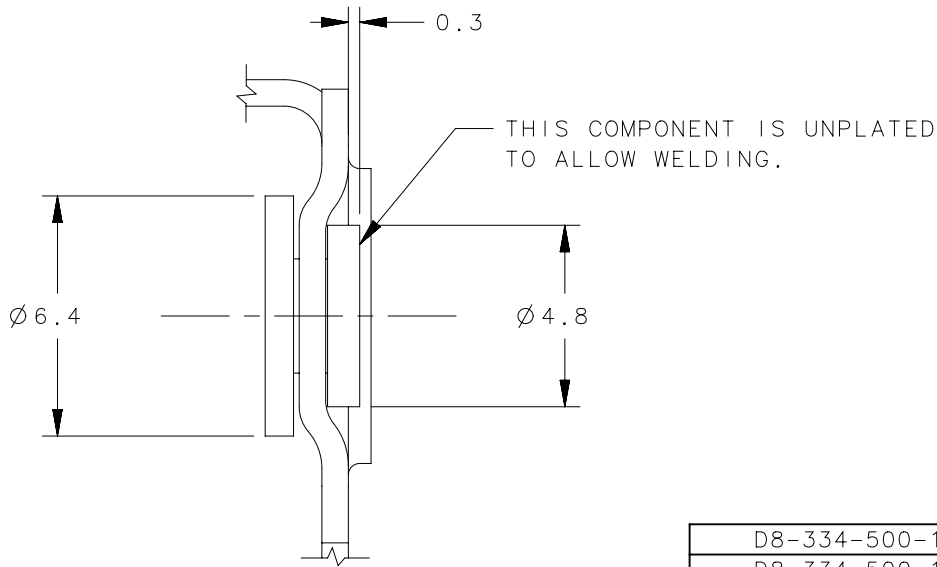
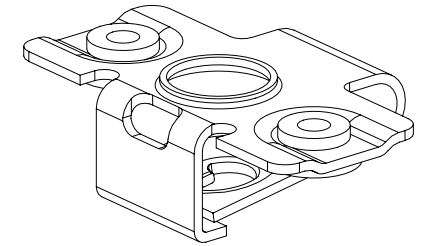
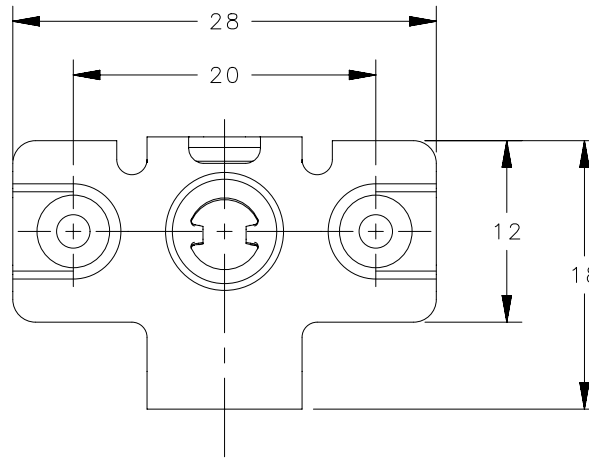
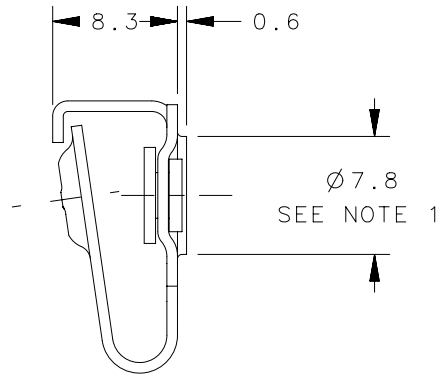


REVISION HISTORY			
REV	DATE	BY	DESCRIPTION
B	29MAR2014	MWC/YGC	PRN: P2014-0731



SCALE 5:1

NOTES:  
1) SUPPORT PANEL REQUIRES  $\varnothing 8.00$  HOLE

D8-334-500-130	RECEPTACLE	CARBON STEEL	ZINC PHOSPHATE - SILVER
D8-334-500-121	RECEPTACLE	CARBON STEEL	SILVER GEOMET
PART NUMBER	TYPE OF COMPONENT	MATERIAL	FINISH

	THIRD ANGLE PROJECTION			<b>southco</b> <sup>®</sup> CONNECT • CREATE • INNOVATE	
	MILLIMETERS [IN]				
	TOLERANCES UNLESS OTHERWISE NOTED	DESCRIPTION			
SURFACE AREA	ALL DIMENSIONS WITHOUT TOLERANCES ARE FOR REFERENCE ONLY.	RECEPTACLE - WELD ON			
VOLUME		SIZE	SYSTEM	DWG NO.	
PROPRIETARY ITEM	PER ASME Y14.5M-1994	A4	NX	J-D8-334-500	
EXCEPT FOR USES EXPRESSLY GRANTED IN WRITING, INFORMATION DISCLOSED HEREON IS CONFIDENTIAL AND ALL RIGHTS, PATENT AND OTHERWISE, ARE RESERVED BY SOUTHCO, INC.		DRAWN BY	DATE	SCALE	SHEET
		MJW	20MAR2009	2:1	1 OF 1