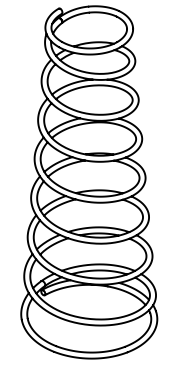
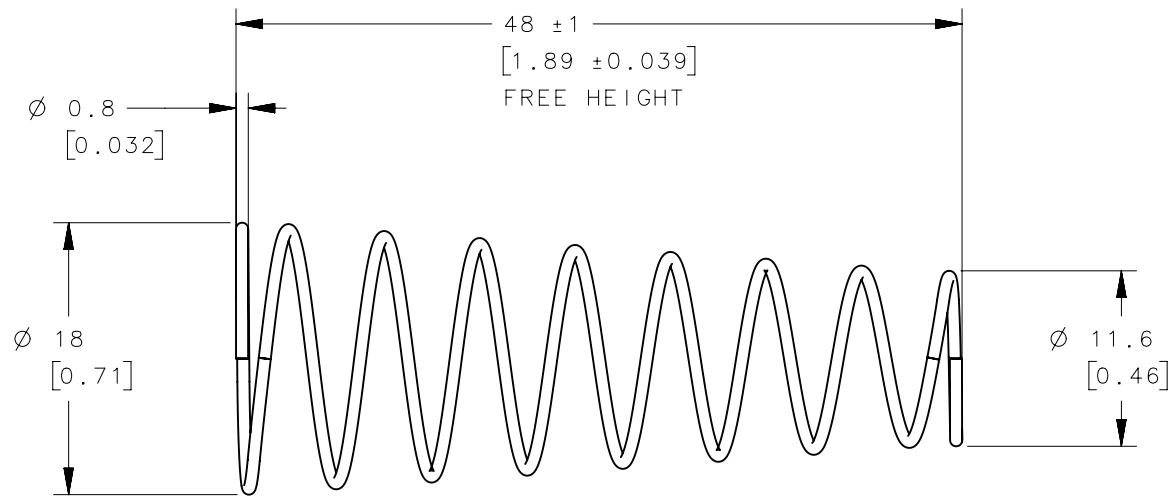
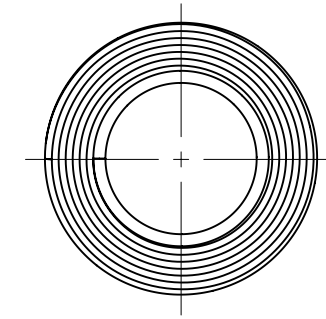


REVISION HISTORY			
REV	DATE	BY	DESCRIPTION
A	26MAY2010	MJS/WG	PRN: P2010-0527



SCALE 1:1



NOTES:

1. No. OF COILS = 9.0 \pm 0.25.

D8-329-200-200	SPRING	STAINLESS STEEL	NATURAL
SOUTHCO PART NUMBER	TYPE OF COMPONENT	MATERIAL	FINISH

THIRD ANGLE PROJECTION		 CONNECT • CREATE • INNOVATE	
MILLIMETERS [IN]			
TOLERANCES UNLESS OTHERWISE NOTED		DESCRIPTION D8 SPRING	
SURFACE AREA XXXXXmm ²		SIZE A4	
VOLUME XXXXXmm ³		SYSTEM NX	
PROPRIETARY ITEM <small>EXCEPT FOR USES EXPRESSLY GRANTED IN WRITING, INFORMATION DISCLOSED HEREON IS CONFIDENTIAL AND ALL RIGHTS, PATENT AND OTHERWISE, ARE RESERVED BY SOUTHCO, INC.</small>		DWG NO. J-D8-329-200-200	
PER ASME Y14.5M-1994		DRAWN BY MJS	DATE 26MAY2010
		SCALE 2:1	SHEET 1 OF 1