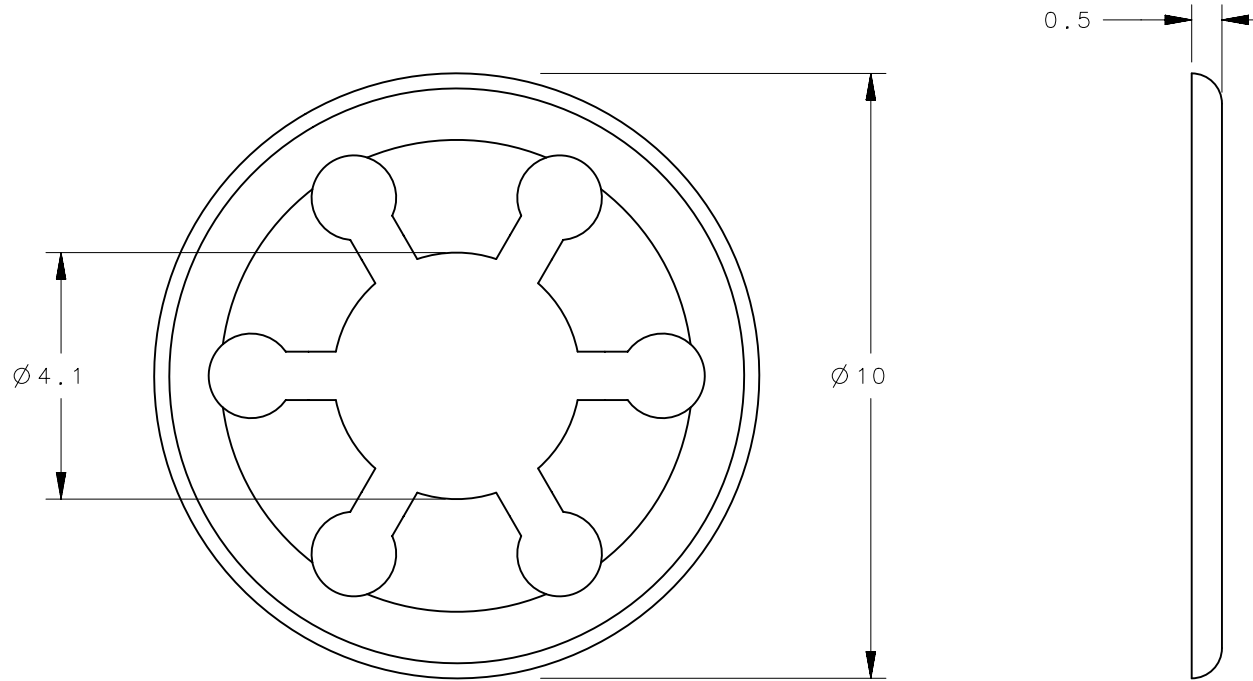
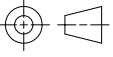



REVISION HISTORY			
REV	DATE	BY	DESCRIPTION
C	06JUN2013	CMS/JCG	PRN: P2013-1195



NOTES:

A. MATERIAL THICKNESS: 0.25mm

D8-324-101-200		304 GRADE STAINLESS STEEL		NATURAL	
PART NUMBER		MATERIAL		FINISH	
THIRD ANGLE PROJECTION 		 CONNECT • CREATE • INNOVATE			
MILLIMETERS [IN]					
TOLERANCES UNLESS OTHERWISE NOTED		DESCRIPTION			
ALL DIMENSIONS WITHOUT TOLERANCES ARE FOR REFERENCE ONLY.		RETAINER			
PROPRIETARY ITEM		SIZE	SYSTEM	DWG NO.	
EXCEPT FOR USES EXPRESSLY GRANTED IN WRITING, INFORMATION DISCLOSED HEREON IS CONFIDENTIAL AND ALL RIGHTS, PATENT AND OTHERWISE, ARE RESERVED BY SOUTHCO, INC.		A4	NX	J-D8-324-101-200	
PER ASME Y14.5M-1994		DRAWN BY	DATE	SCALE	SHEET
		JEM	06DEC2012	8:1	1 OF 1