

# southco®

PROPRIETARY ITEM - EXCEPT FOR USES EXPRESSLY GRANTED IN WRITING INFORMATION DISCLOSED HEREON IS CONFIDENTIAL AND ALL RIGHTS PATENT AND OTHERWISE ARE RESERVED BY SOUTHCO, INC.

## SOUTHCO No. 19 (METRIC) SWELL LATCH ASSEMBLY

DATE	DRAWN	CHKD	SCALE	DRAWING NUMBER
22SEP1992	JGK		2 : 1	J-19-81-10

REV.	DATE	DRAWN	REVISION	ITEM	COMPONENT	PART NUMBER	MATERIAL	FINISH	
A	20MAR1995	DAZ	PRN: 19-117	ASSEMBLY		19-81-10			
B	02JAN2002	GMB/DLH	PRN: P2002-0764	HANDLE-SHAFT SUB-ASSEMBLY					
C	17AUG2016	JPK/CMS	PRN: P2016-1906		HANDLE		NYLON	BLACK	
					SCREW		DIE CAST ZINC	BLACK CHROMATE	
					PIN		18-9LW STAINLESS STEEL	SEE NOTE A	
					BUSHING		IR/BR RUBBER	BLACK	
					NUT		NYLON	BLACK	

MILLIMETER DIMENSIONS  
DIMENSIONS WITHOUT TOLERANCES ARE FOR REFERENCE ONLY.

THIRD ANGLE PROJECTION

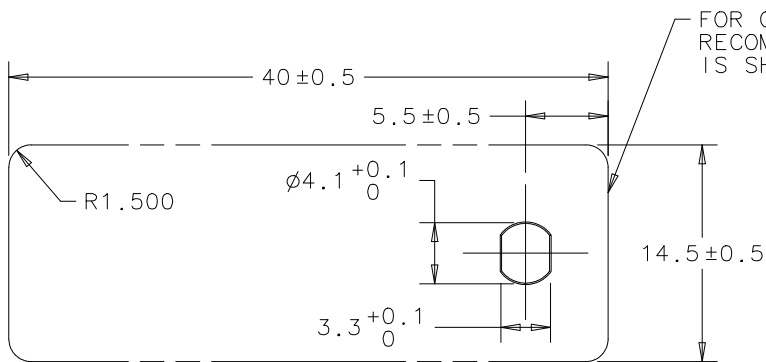
A4 PAPER SIZE

### INSTALLATION INSTRUCTIONS:

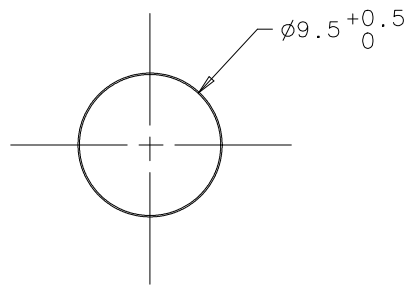
1. PREPARE A SHAPED HOLE IN DOOR OR OUTER PANEL AND A ROUND HOLE IN THE FRAME.
2. WITH HANDLE IN OPEN POSITION INSERT SHAFT THROUGH HOLE IN DOOR, THEN PASS BUSHING OVER SHAFT AND SECURE WITH NYLON NUT.
3. ADJUST NYLON NUT TO PROVIDE A SATISFACTORY HOLD IN, OR BEHIND FRAME HOLE WITH MODERATE LOCKING FORCE.

### NOTES:

- A. PASSIVATED WITH BLACK OXIDE COATING
- B. SHIPPING INSTRUCTIONS: SHIPPED UNASSEMBLED, ONE UNIT PER BAG.

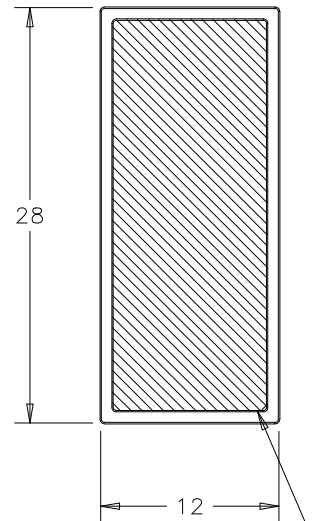


PANEL PREPARATION FOR DOOR OR OUTER PANEL.



PANEL PREPARATION FOR FRAME

FOR OPTIONAL RECESSED LATCH, RECOMMENDED SIZE OF DOOR PREPARATION IS SHOWN IN PHANTOM.



DEPRESSED TEXTURED SURFACE

