

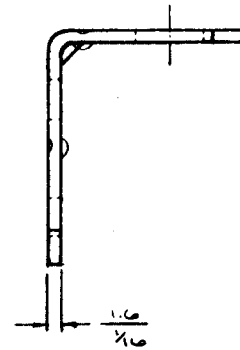
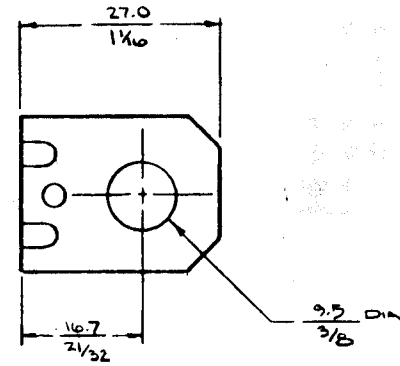
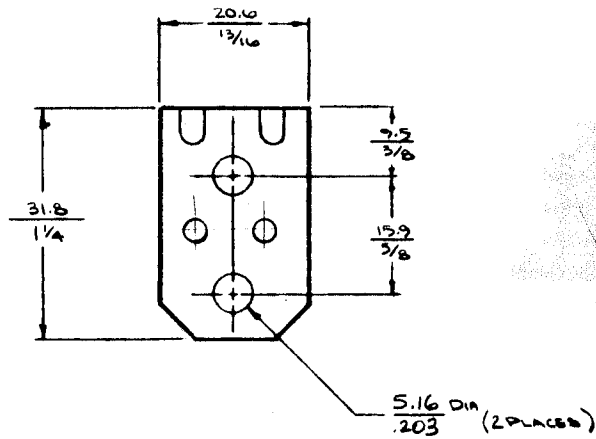
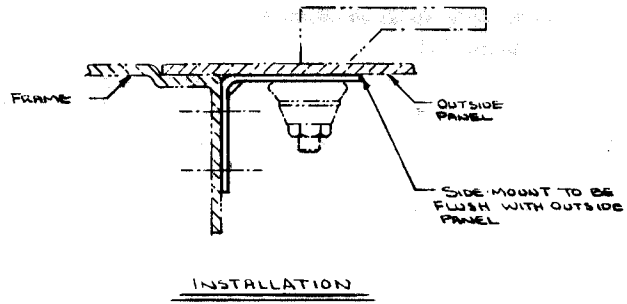
SOUTHCO, INC.

SIDE-MOUNT ~ N^o 19-081 SERIES

DATE	DRAWN	CHKD	SCALE	DRAWING NUMBER
9-24-75	TEK		N.T.S.	N-16301-J

REV. LET.	DATE	BY-CHKD	REVISIONS	PART N ^o	MATERIAL	FINISH	R.S.	DATE	APP.
A	4-27-82	HAR	PRN 5-1-01	19-0-15666-11	STEEL	SEE NOTE A	A		
B	6-2-83	SJA	PRN 19-12				B		
C	21 NOV 96	SWD	PRN: 19-147				C		
							D	10-27-75	TEK

NOTE A: ZINC PLATE PER ASTM B633 TY. 2, SC. 3



MILLIMETER/INCH

MILLIMETER
INCH

TOLERANCE UNLESS OTHERWISE NOTED
 METRIC MM - TWO PLACE (.XX) ± 0.25 ONE PLACE (.X) ± 0.5
 INCH - DECIMALS ± 0.01 FRACTIONS ± 1/32 ANGLES ± 1°

DRAWING NUMBER

N-16301-J