

6

5

4

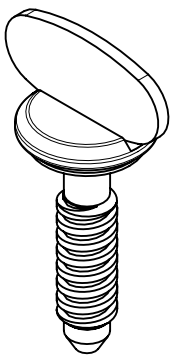
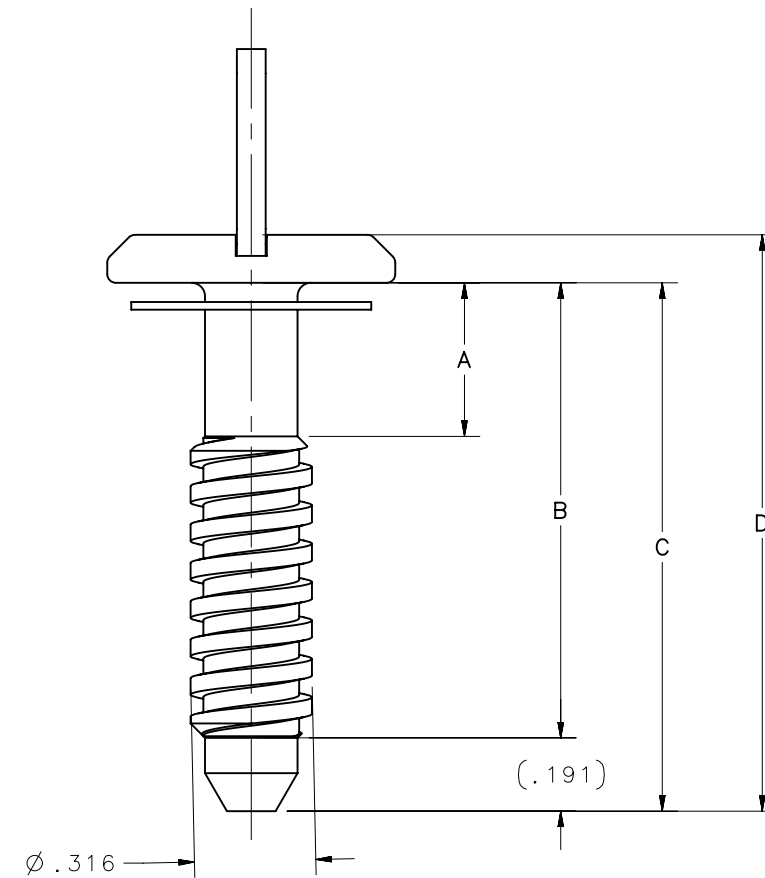
3

2

1

REVISION HISTORY			
REV	DATE	BY	DESCRIPTION
A	27JUN2019	CBI/DMS	PRN: P2019-1620

PART NUMBER	"A"	"B"	"C"	"D"
17-12-104-YY	.200	.560	.751	.876
17-12-204-YY	.200	.685	.876	1.001
17-12-304-YY	.200	.810	1.001	1.126
17-12-404-YY	.200	.935	1.126	1.251
17-12-504-YY	.200	1.060	1.251	1.376
17-12-604-YY	.200	1.185	1.376	1.501
17-12-704-YY	.200	1.310	1.501	1.626
17-12-106-YY	.300	.560	.751	.876
17-12-206-YY	.300	.685	.876	1.001
17-12-306-YY	.300	.810	1.001	1.126
17-12-406-YY	.300	.935	1.126	1.251
17-12-506-YY	.300	1.060	1.251	1.376
17-12-606-YY	.300	1.185	1.376	1.501
17-12-706-YY	.300	1.310	1.501	1.626
17-12-208-YY	.400	.685	.876	1.001
17-12-308-YY	.400	.810	1.001	1.126
17-12-408-YY	.400	.935	1.126	1.251
17-12-508-YY	.400	1.060	1.251	1.376
17-12-608-YY	.400	1.185	1.376	1.501
17-12-708-YY	.400	1.310	1.501	1.626
17-12-1108-YY	.400	1.869	2.006	2.181



SCALE 1:1

ROLL THREADS
AND FINISH

-YY	MATERIAL	FINISH
-08	STEEL	NATURAL
-09	STEEL	NATURAL
-11	STEEL	ZINC PLATE PLUS BRIGHT CHROMATE
-12	STAINLESS STEEL	PASSIVATE
-13	STAINLESS STEEL	CHROME PLATE
-14	STEEL	CHROME PLATE
-15	STAINLESS STEEL	BLACK OXIDE
-18	STEEL	ZINC WITH OLIVE DRAB CHROMATE
-27	STEEL	ZINC PLATE WITH BLACK POLYMER
-38	STEEL	GEOMET / PLUS SEALER
-59	STEEL	ZINC PLATE WITH BLACK CHROMATE

	THIRD ANGLE PROJECTION	southco [®] CONNECT • CREATE • INNOVATE	
	INCHES [MM]		
SURFACE AREA	TOLERANCES UNLESS OTHERWISE NOTED	DESCRIPTION NO. 17 FORM ROLLED SCREWS WING HEAD: .200, .300 AND .400 THROATS	
VOLUME	ALL DIMENSIONS WITHOUT TOLERANCES ARE FOR REFERENCE ONLY.	SIZE B	SYSTEM NX
PROPRIETARY ITEM EXCEPT FOR USES EXPRESSLY GRANTED IN WRITING, INFORMATION DISCLOSED HEREON IS CONFIDENTIAL AND ALL RIGHTS, PATENT AND OTHERWISE, ARE RESERVED BY SOUTHCO, INC.	PER ASME Y14.5M-1994	DWG NO. J-17-12-11-1A	DATE 28JUN2019
		DRAWN BY CBI/DMS	SCALE 2:1
			SHEET 1 OF 1

6

5

4

3

2

1