

# southco®

PROPRIETARY ITEM - EXCEPT FOR USES EXPRESSLY GRANTED IN WRITING INFORMATION DISCLOSED HEREON IS CONFIDENTIAL AND ALL RIGHTS PATENT AND OTHERWISE ARE RESERVED BY SOUTHCO, INC.

## No. 16 FASTENER 500 SERIES ADJUST PAWL FASTENER ASSEMBLY - RIGHT HAND

DATE	DRAWN	CHKD	SCALE	DRAWING NUMBER
10-17-74	RHB		2:1	J-16-10-511-16

REV	DATE	DRAWN/CHKD	DESCRIPTION	ITEM	PART NUMBER	MATERIAL	FINISH
E	05APR2006	RLR/MJS	PRN: P2006-0533	ASSEMBLY	16-10-511-16	-	-
				SCREW	-	STEEL	ZINC PLATE, BRIGHT CHROMATE
				TRIM NUT	-	STAINLESS STEEL	PASSIVATE
				HOUSING	-	STEEL	ZINC PLATE, BRIGHT CHROMATE
				PAWL	-	STEEL	ZINC PLATE, BRIGHT CHROMATE
				SLEEVE	-	STEEL	ZINC PLATE, BRIGHT CHROMATE
				BUSHING	-	BRASS	NATURAL
				SPRING	-	302 STAINLESS STEEL	PASSIVATE
				HEX NUT	-	303 STAINLESS STEEL	PASSIVATE
				INDICATOR	-	STAINLESS STEEL	PASSIVATE
				KNOB	-	NYLON	BLACK
				LOCKWASHER	-	SPRING STEEL	ZINC PLATE, CHROMATE DIP PLUS SEALER

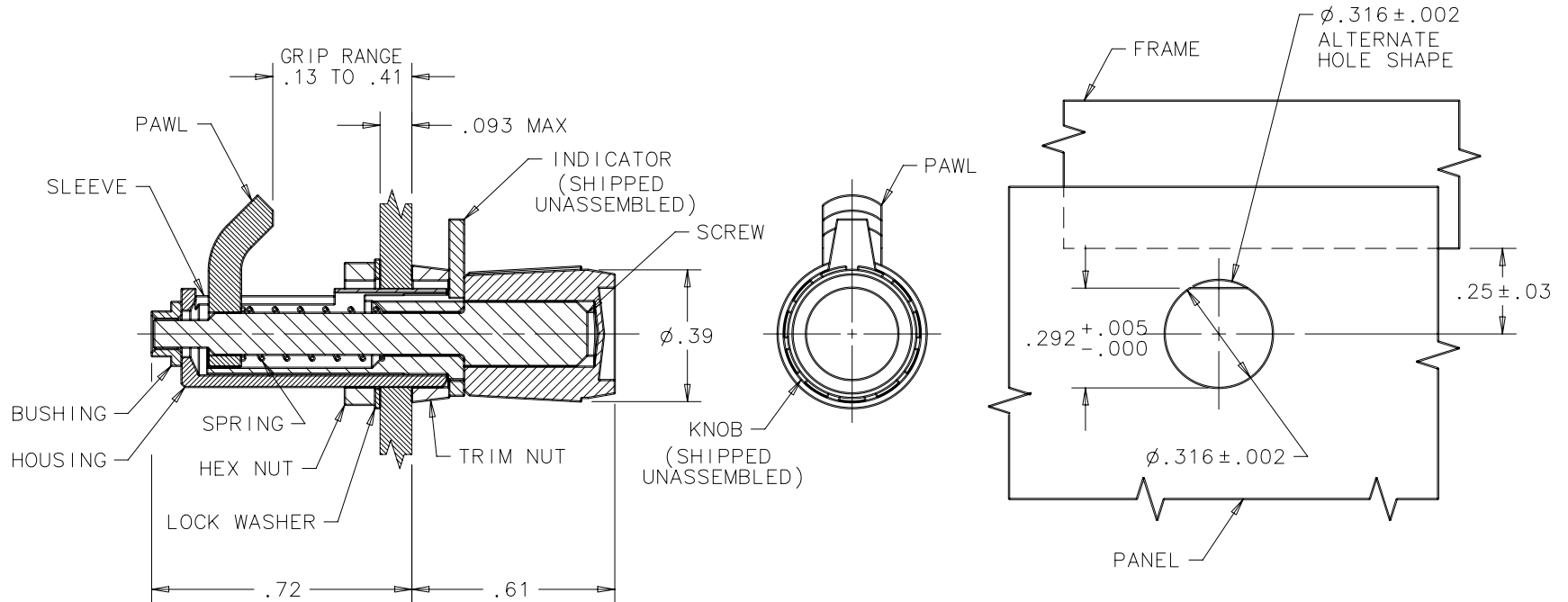
INCHES

ALL DIMENSIONS WITHOUT TOLERANCES ARE FOR REFERENCE ONLY.

THIRD ANGLE PROJECTION      A PAPER SIZE

### NOTES:

- A. THESE ASSEMBLIES ARE NON-REPAIRABLE ITEMS AND COMPONENTS ARE NOT AVAILABLE AS REPLACEMENT OR REPAIR PARTS.
- B. INSTALLATION INSTRUCTIONS:
  1. REMOVE TRIM NUT FROM FASTENER ASSEMBLY
  2. INSTALL FASTENER FROM BACK SIDE OF PANEL AND REASSEMBLE TRIM NUT.
  3. TIGHTEN HEX NUT AGAINST BACK OF PANNEL
  4. PUT INDICATOR OVER HEAD OF SCREW AND PRESS KNOB ON.



PANEL PREPARATION