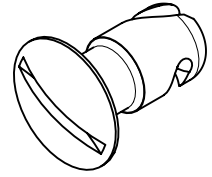
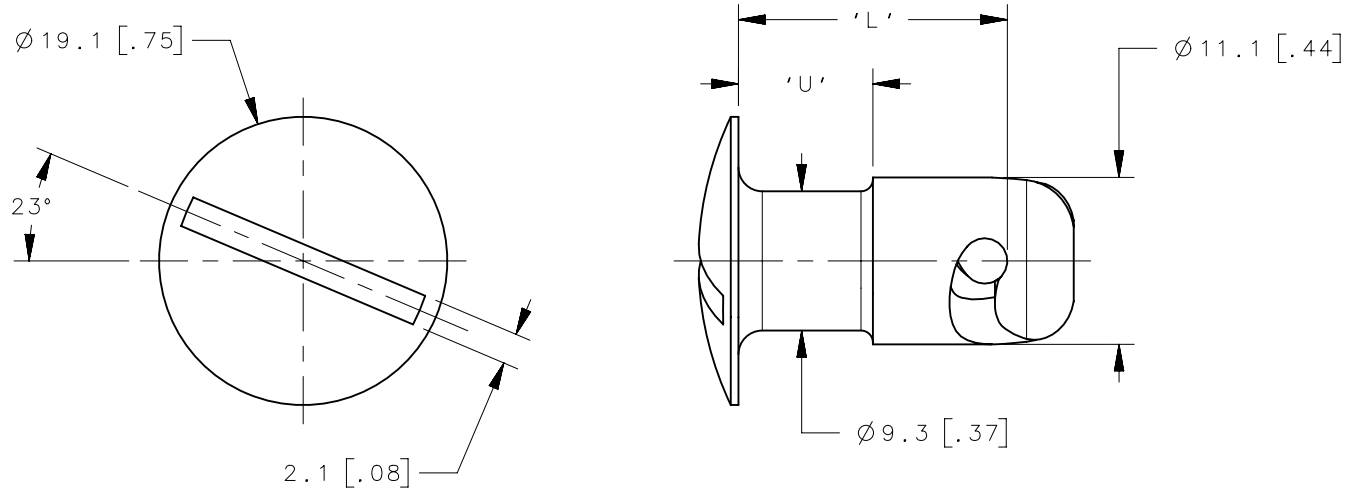


PART NUMBER	'U'	'L'
D4-AJ7-40	4.83 [.190]	10.16 [.400]
D4-AJ7-50	6.35 [.250]	12.70 [.500]
D4-AJ7-60	7.62 [.300]	15.24 [.600]
D4-AJ7-70	8.89 [.350]	17.78 [.700]
D4-AJ7-80	11.43 [.450]	20.32 [.800]
D4-AJ7-90	13.97 [.550]	22.86 [.900]
D4-AJ7-100	16.51 [.650]	25.40 [1.000]
D4-AJ7-110	16.51 [.650]	27.94 [1.100]
D4-AJ7-120	16.51 [.650]	30.48 [1.200]
D4-AJ7-125	16.51 [.650]	31.75 [1.250]
D4-AJ7-130	16.51 [.650]	33.02 [1.300]
D4-AJ7-140	16.51 [.650]	35.56 [1.400]
D4-AJ7-150	16.51 [.650]	38.10 [1.500]
D4-AJ7-160	16.51 [.650]	40.64 [1.600]
D4-AJ7-170	16.51 [.650]	43.18 [1.700]
D4-AJ7-180	16.51 [.650]	45.72 [1.800]
D4-AJ7-190	16.51 [.650]	48.26 [1.900]
D4-AJ7-200	16.51 [.650]	50.80 [2.000]
D4-AJ7-210	16.51 [.650]	53.34 [2.100]
D4-AJ7-220	16.51 [.650]	55.88 [2.200]
D4-AJ7-230	16.51 [.650]	58.42 [2.300]
D4-AJ7-240	16.51 [.650]	60.96 [2.400]
D4-AJ7-250	16.51 [.650]	63.50 [2.500]

REVISION HISTORY			
REV	DATE	BY	DESCRIPTION
A	30APR2014	MWC/YGC	PRN: P2014-0862



SCALE 1:1



NOTES:
1) PART NUMBER SHOWN: D4-AJ7-70.

D4-AJ7-XX	STUD	STEEL	ZINC PLATE, PLUS BRIGHT CHROMATE	
PART NUMBER	TYPE OF COMPONENT	MATERIAL	FINISH	
	THIRD ANGLE PROJECTION			
	MILLIMETERS [IN]			
SURFACE AREA	TOLERANCES UNLESS OTHERWISE NOTED	DESCRIPTION		
VOLUME	ALL DIMENSIONS WITHOUT TOLERANCES ARE FOR REFERENCE ONLY.	STUD FASTENER TYPE AJ7		
PROPRIETARY ITEM	PER ASME Y14.5M-1994	SIZE	SYSTEM	DWG NO.
EXCEPT FOR USES EXPRESSLY GRANTED IN WRITING, INFORMATION DISCLOSED HEREON IS CONFIDENTIAL AND ALL RIGHTS, PATENT AND OTHERWISE, ARE RESERVED BY SOUTHCO, INC.		A4	NX	J-D4-AJ7
		DRAWN BY	DATE	SCALE
		MWC/YGC	30APR2014	2:1
				SHEET 1 OF 1

southco[®]
CONNECT • CREATE • INNOVATE