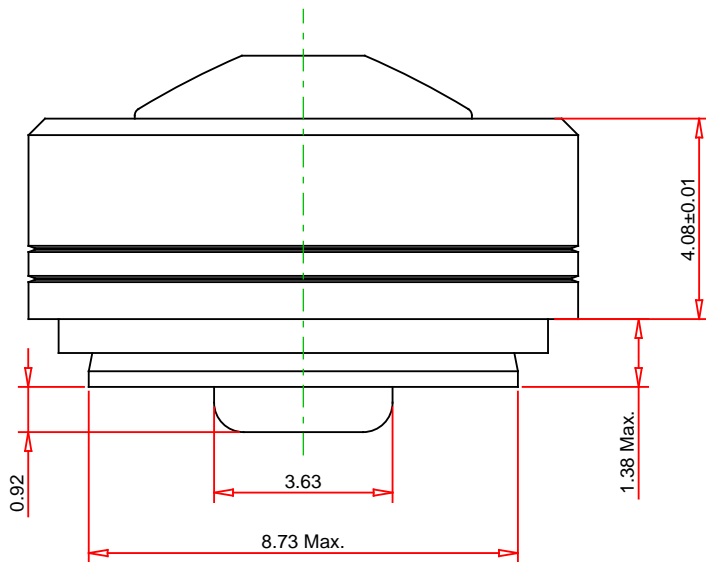


HAEGER® Part Number	
Anvil	H-186-04/M6L
Punch	H-185-04/M6L





© 2024 PennEngineering

ALL DIMENSIONS IN MILLIMETERS

DATE 16-APR-2024

NOTE : DRAWING NOT TO SCALE

THREAD : M6 x 1	MOUNTING HOLE DIA. : 8.75 +0.08 -0.00
MATERIAL: 300 Series Stainless Steel	PANEL THICKNESS: 1.4 MINIMUM
HEAT TREAT: NONE	MAX. PANEL HARDNESS: HRB 70 / HB 125
FINISH: Passivated and/or tested per ASTM A380	MIN CENTERLINE-TO-EDGE: 8.6
DESCRIPTION : PEM® PreTect™ Thread Masking Plugs	 
PART NO. : CLS-M6-1-TP	