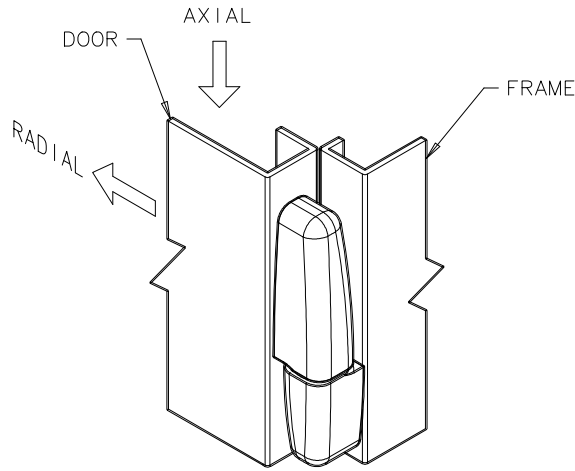


REV	DATE	DESCRIPTION	DRAWN/CHKD	DATE	MJS	DK	SCALE	DRAWING NUMBER
	DATE	DESCRIPTION						
					10JUL2008		.5:1	TD-96-07-J
<p>96 STAINLESS STEEL HINGE</p>								
<p>PROPRIETARY ITEM - EXCEPT FOR USES EXPRESSLY GRANTED IN WRITING, INFORMATION DISCLOSED HEREON IS CONFIDENTIAL AND ALL RIGHTS PATENT AND OTHERWISE ARE RESERVED BY SOUTHCO, INC.</p>								
<p>A4 PAPER SIZE</p>								
<p>THIRD ANGLE PROJECTION</p>								

SOUTHCO PERFORMANCE GUIDELINES  
 THE PERFORMANCE GUIDELINES SHOWN ON THIS PAGE ARE SUPPLIED AS A GENERAL GUIDE ONLY, AS CONDITIONS VARY WITH EACH APPLICATION AND METHOD OF INSTALLATION. STRENGTH DATA GIVEN IS FOR FAILURE OF THE PRODUCT OR FOR SUFFICIENT DEFORMATION TO MAKE PRODUCT INOPERABLE. NO SAFETY FACTOR HAS BEEN APPLIED IT IS RECOMMENDED THAT THE USER REQUEST A PRODUCT SAMPLE FOR TESTING TO DETERMINE THE SUITABILITY OF THE PRODUCT FOR THE PURPOSE INTENDED AND USER'S PARTICULAR APPLICATION.

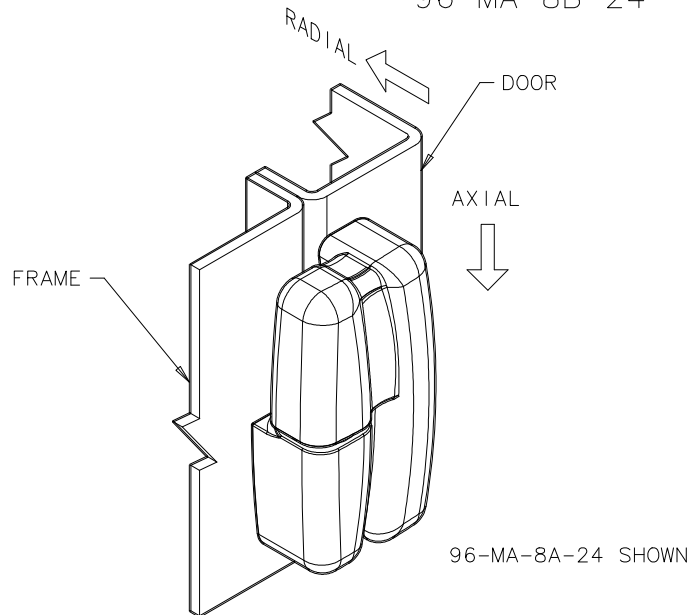
PART NUMBER: 96-MA-80-24



CYCLE LIFE -  
 Hinges cycled to 10,000 cycles with a 200 N (45 lb. door). Test stopped at 10,000 cycles with no failures reported.

MAXIMUM RECOMMENDED STATIC LOAD  
 AXIAL: 5000 N (1120 lbs.)  
 RADIAL: 3000 N (670 lbs.)

PART NUMBERS: 96-MA-8A-24  
 96-MA-8B-24



CYCLE LIFE -  
 Hinges cycled to 10,000 cycles with a 200 N (45 lb. door). Test stopped at 10,000 cycles with no failures reported.

MAXIMUM RECOMMENDED STATIC LOAD  
 AXIAL: 5000 N (1120 lbs.)  
 RADIAL: 3000 N (670 lbs.)

① MAXIMUM RECOMMENDED STATIC LOAD is the load that can be applied to the hinge while stationary without any loss of performance.

REF: 96-42

**southco**