



SOUTHCO MINIATURE LIFT-OFF HINGE
TYPE-B OFFSET; 6-32 THREAD

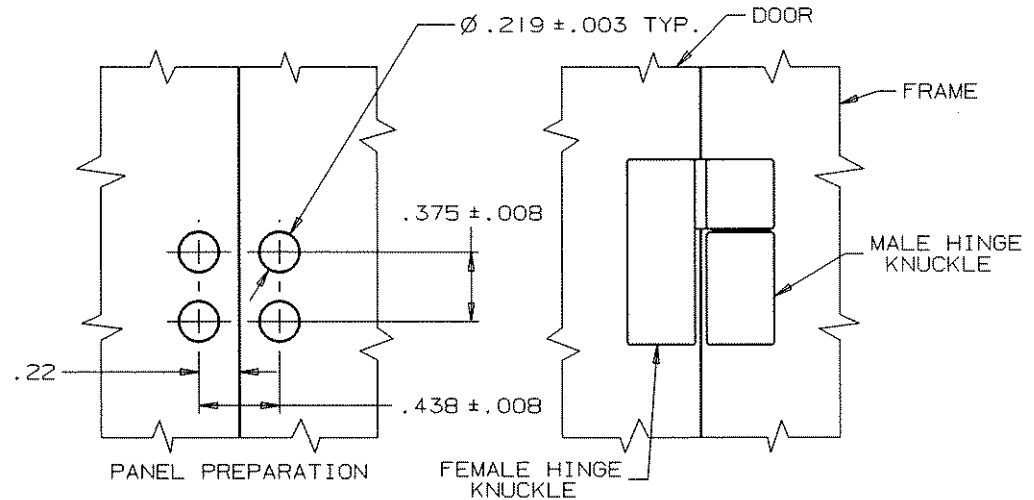
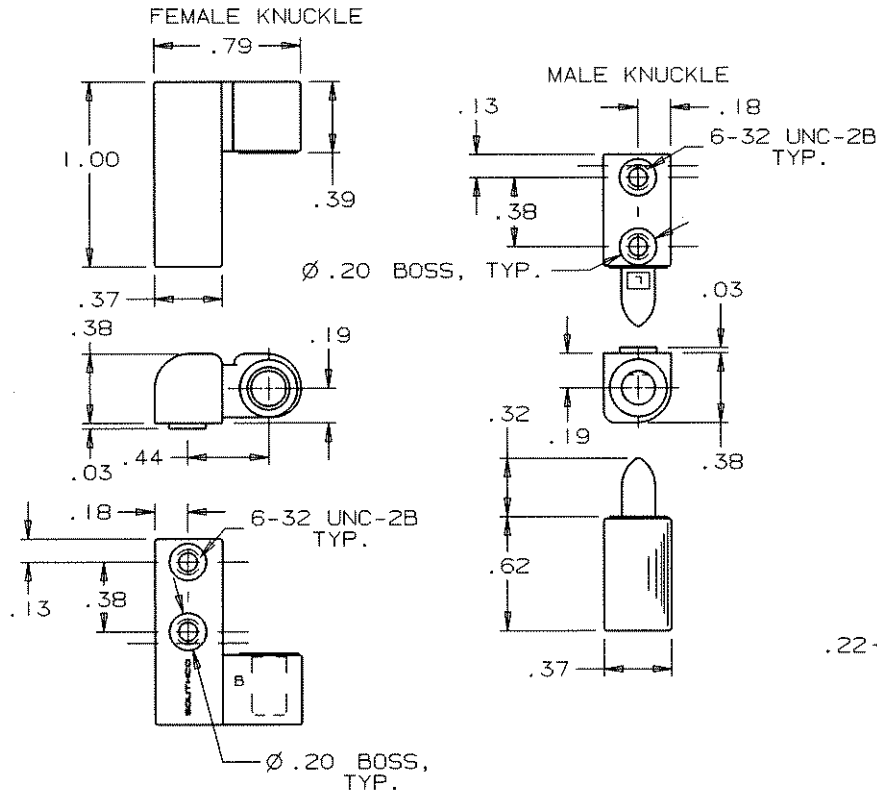
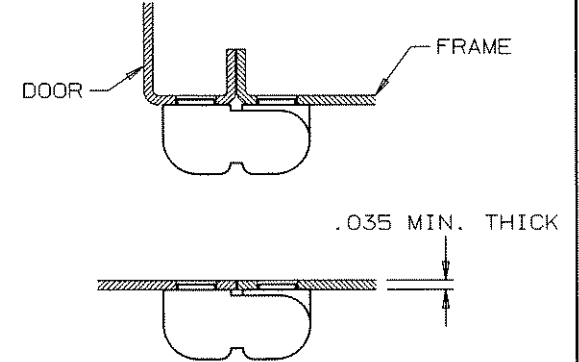
DATE	DRAWN	CHKD	SCALE	DRAWING NUMBER
8/15/89	RES		1:1	J-96-112

REV.	DATE	BY-CHKD	REVISIONS	ITEM	COMPONENT	PART NO.	MATERIAL	FINISH
A	12-19-89	GJC	PRN: 96-26	ASSEMBLY		96-112		
B	12FEB93	KPL	PRN: S-1-03		MALE KNUCKLE		DIE CAST ZINC	BLACK POWDER COATED
C	25MAR93	JSS	PRN: 96-52		FEMALE KNUCKLE		DIE CAST ZINC	BLACK POWDER COATED
D	09OCT96	SWD	PRN: S-93-23					

NOTES:

- ATTACH WITH 6-32 UNC-2A SCREWS.
MAX. SCREW LENGTH IS DOOR OR
FRAME THICKNESS PLUS .200.
- TOLERANCE ON ENVELOPE DIMENSIONS
IS $\pm .015$.

ALTERNATE CONFIGURATION



FORMATA 3/88

PROPRIETARY ITEM - EXCEPT FOR USES EXPRESSLY GRANTED IN WRITING
INFORMATION DISCLOSED HEREON IS CONFIDENTIAL AND ALL RIGHTS PATENT
AND OTHERWISE ARE RESERVED BY SOUTHCO, INC.

DRAWING NUMBER

J-96-112